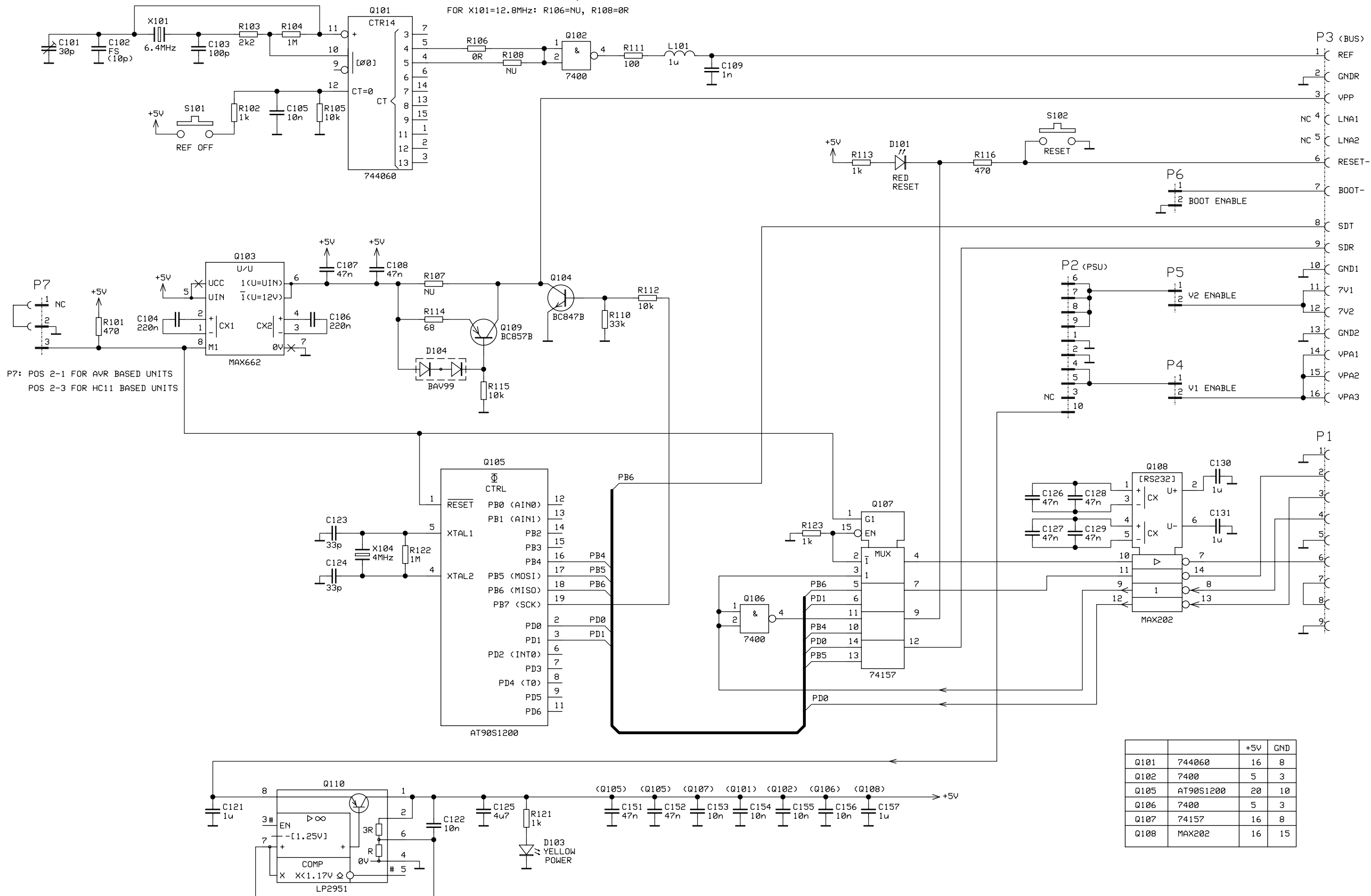



FOR X101=6.4MHz: R106=0R, R108=NU
 FOR X101=12.8MHz: R106=NU, R108=0R



COMPONENT VALUES MAY BE REVISED. FOR CURRENT VALUES - REFER TO THE PART LIST.
 VALUES IN BRACKETS (<) MAY VARY FOR DIFFERENT VARIANTS.

NU = NOT USED * = PRINTED ON PC BOARD FS = FACTORY SET VALUE

Constr.	Drawn by	Cop.	Stand.	Appr. by	Scale	Replaces	Replaced by
AS	EK/BE		A3				
 ALLGON INNOVATION SWEDEN						Sheet	Date
						1 (1)	2003-06-27
CIRCUIT DIAGRAM BOOT LOADER BOARD						Doc. No.	Rev.
						K9001/1-411	A