
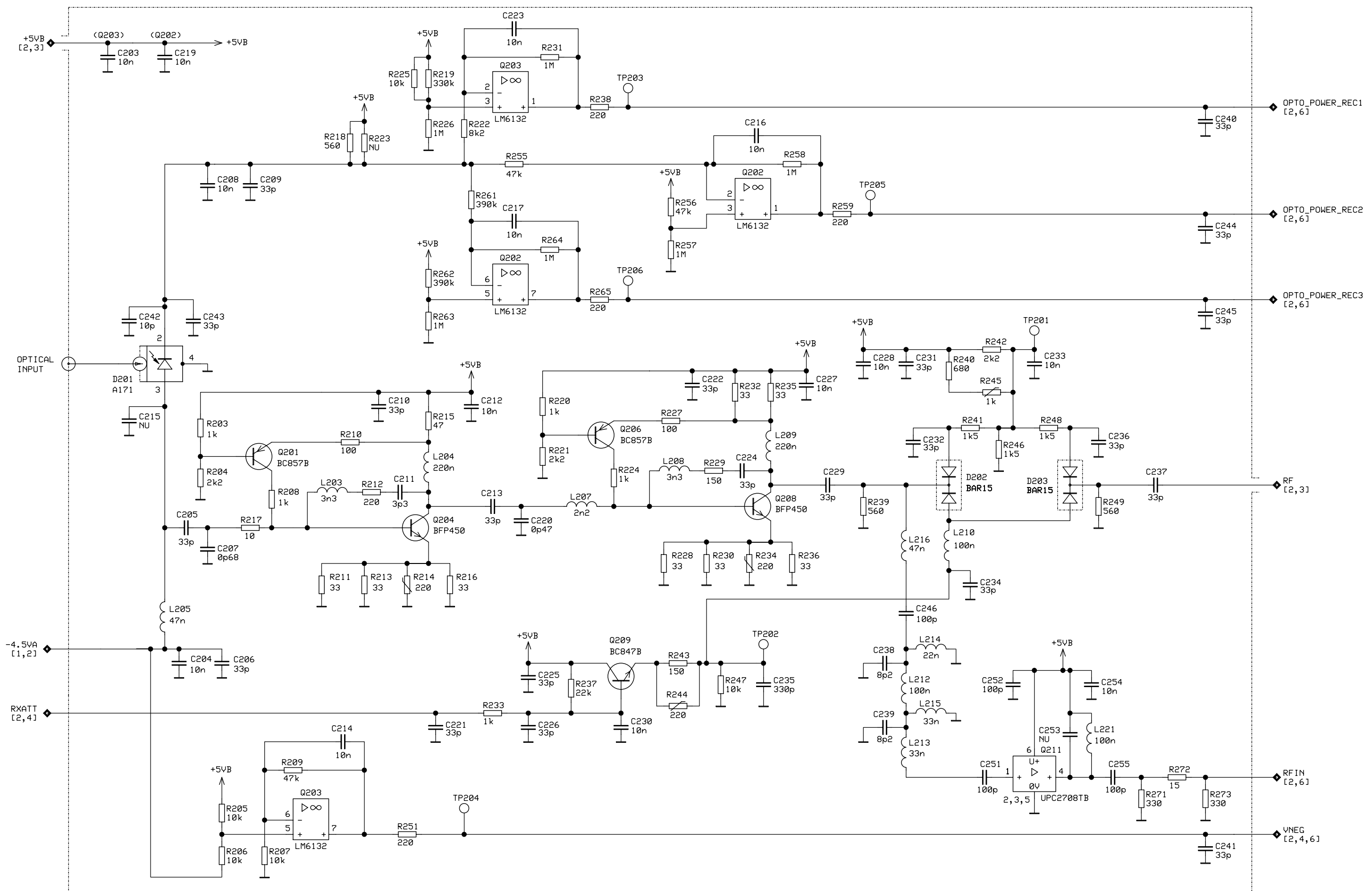


	R141	R142	R143	R144
K129/1-49 HI INP.	NU	ØR	NU	ØR
K129/51-99 LO INP.	ØR	NU	ØR	NU

		+5VA	-4.5V
Q104	LM6132	8	4
Q107	LM6132	8	4

COMPONENT VALUES MAY BE REVISED. FOR CURRENT VALUES - REFER TO THE PART LIST.
 VALUES IN BRACKETS () MAY VARY FOR DIFFERENT VARIANTS.
 NU = NOT USED * = PRINTED ON PC BOARD FS = FACTORY SET VALUE


Constr.	ML	Drawn by	EK/BJ	Cop.		Stand.	A3	Appr. by		Scale		Replaces		Replaced by
												Sheet 1(8) Date 21FEB2005		
CIRCUIT DIAGRAM FON BOARD												Doc. No. K129/1-411 Rev. E		



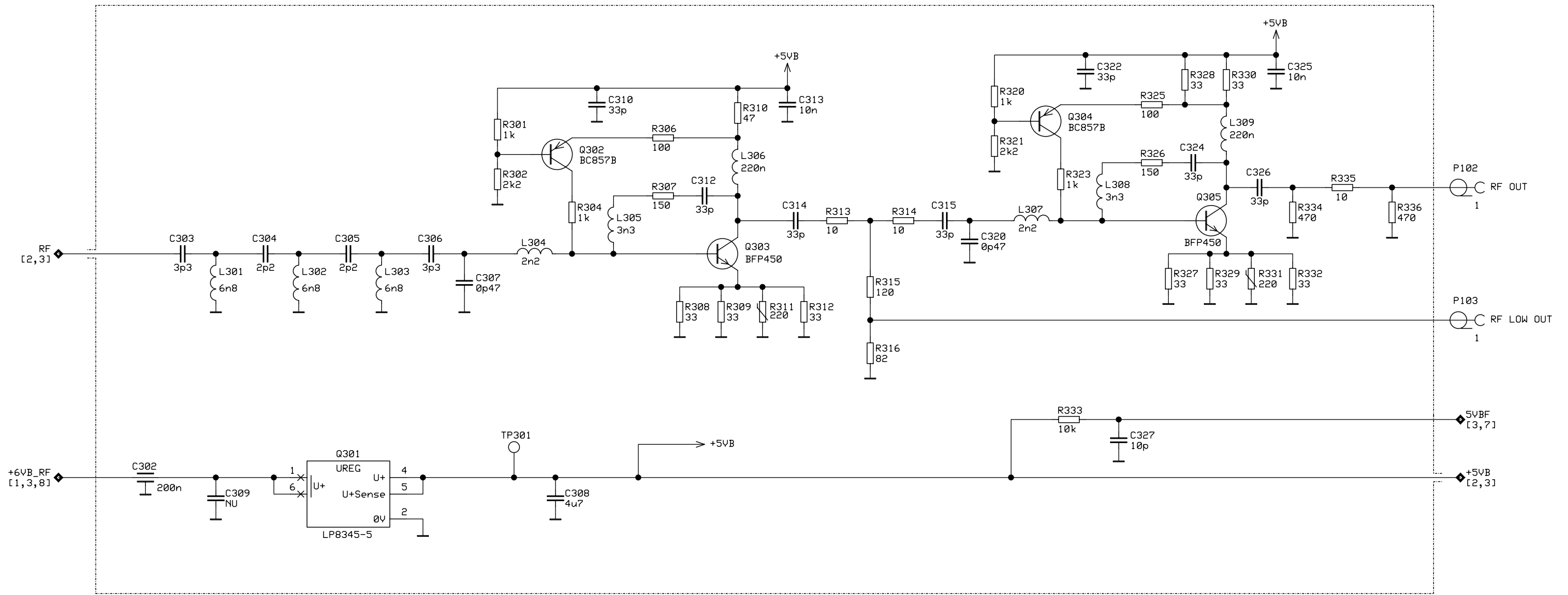
CADint A38se

NU = NOT USED * = PRINTED ON PC BOARD FS = FACTORY SET VALUE


		+5VB	GND
Q202	LM6132	8	4
Q203	LM6132	8	4

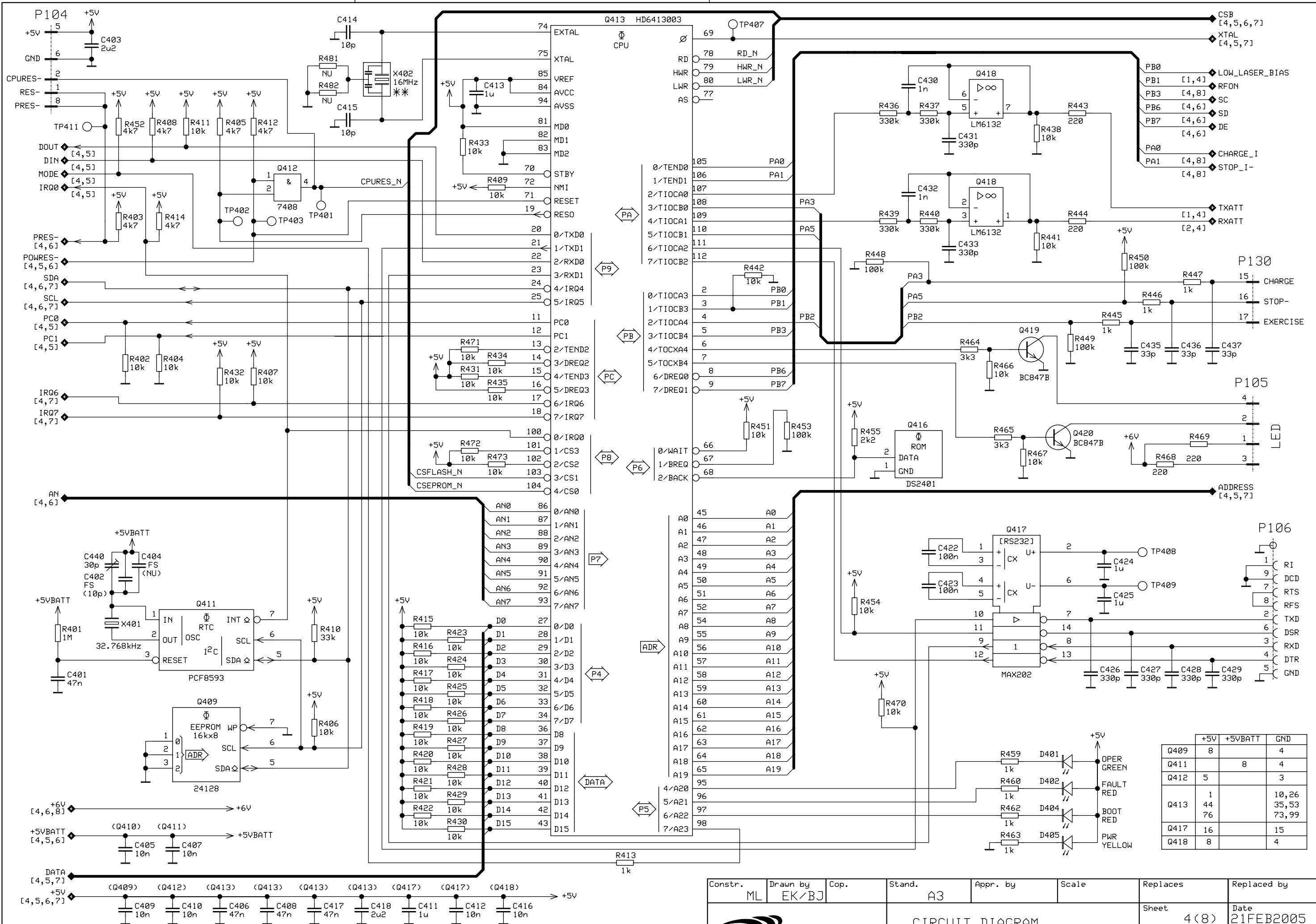
Constr.	ML	Drawn by	EK/BJ	Cop.		Stand.	A3	Appr. by		Scale		Replaces		Replaced by	
												Sheet	2(8)	Date	21FEB2005
												Doc. No.	K129/1-411	Rev.	E

CIRCUIT DIAGRAM
FON BOARD



NU = NOT USED * = PRINTED ON PC BOARD FS = FACTORY SET VALUE

Constr.	ML	Drawn by	EK/BJ	Cop.		Stand.	A3	Appr. by		Scale		Replaces		Replaced by	
												Sheet	3(8)	Date	21FEB2005
CIRCUIT DIAGRAM FON BOARD												Doc. No.	K129/1-411	Rev.	E



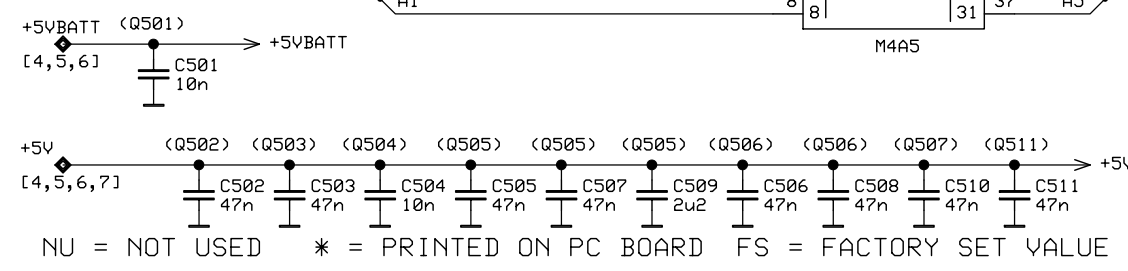
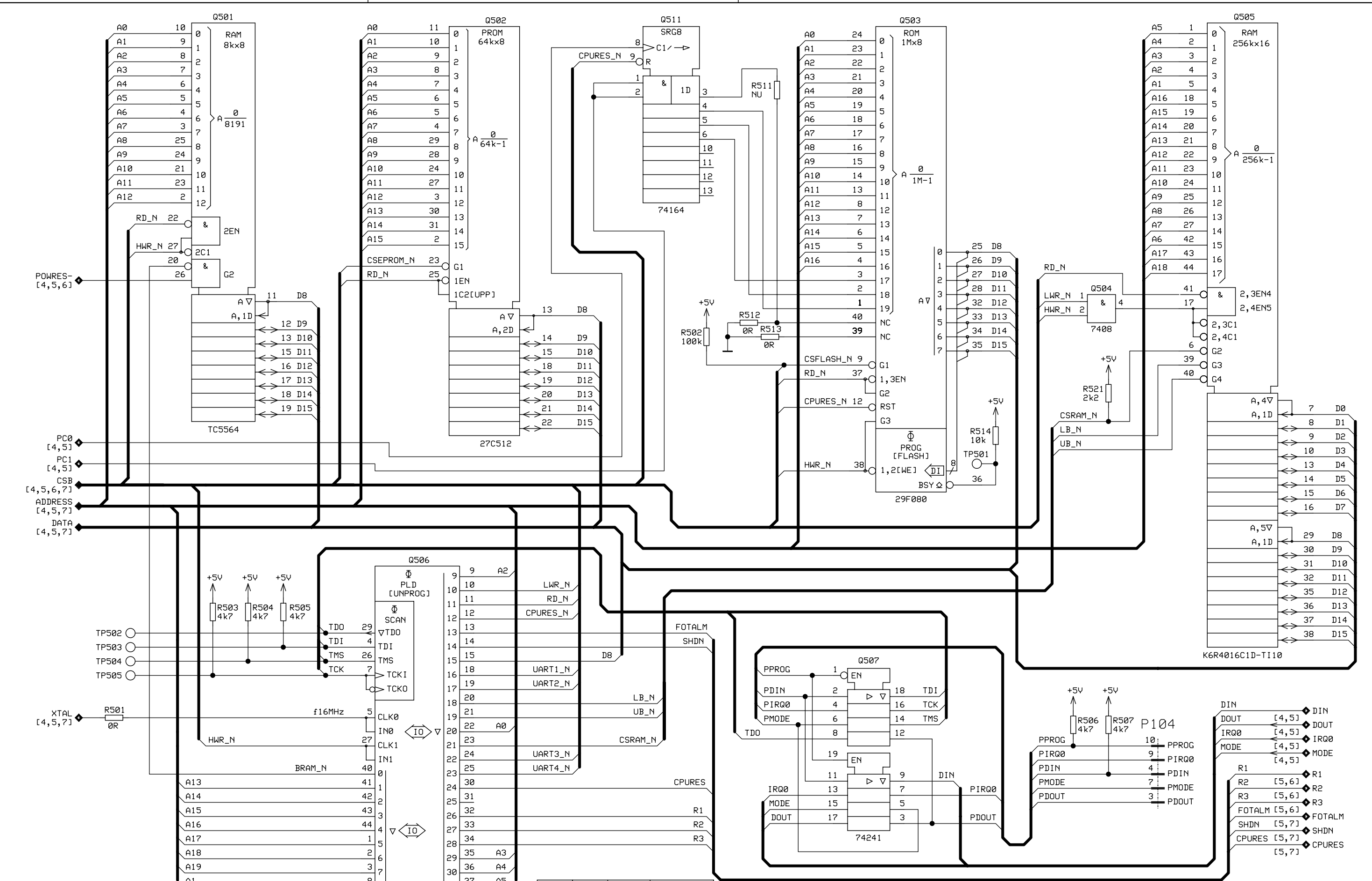
	+5V	+5VBATT	GND
Q409	8		4
Q411		8	4
Q412	5		3
Q413	1	44	10,26
	76		35,53
Q417	16		15
Q418	8		4

Constr.	ML	Drawn by	EK/BJ	Cop.		Stand.	A3	Appr. by		Scale		Replaces		Replaced by	
												CIRCUIT DIAGRAM FON BOARD		Sheet 4(8)	Date 21FEB2005
												Doc. No. K129/1-411	Rev. E		

** = X101, RESONATOR WITH EXTERNAL CAPACITORS, ONLY PREPARED FOR BUILT IN.
 NU = NOT USED * = PRINTED ON PC BOARD FS = FACTORY SET VALUE

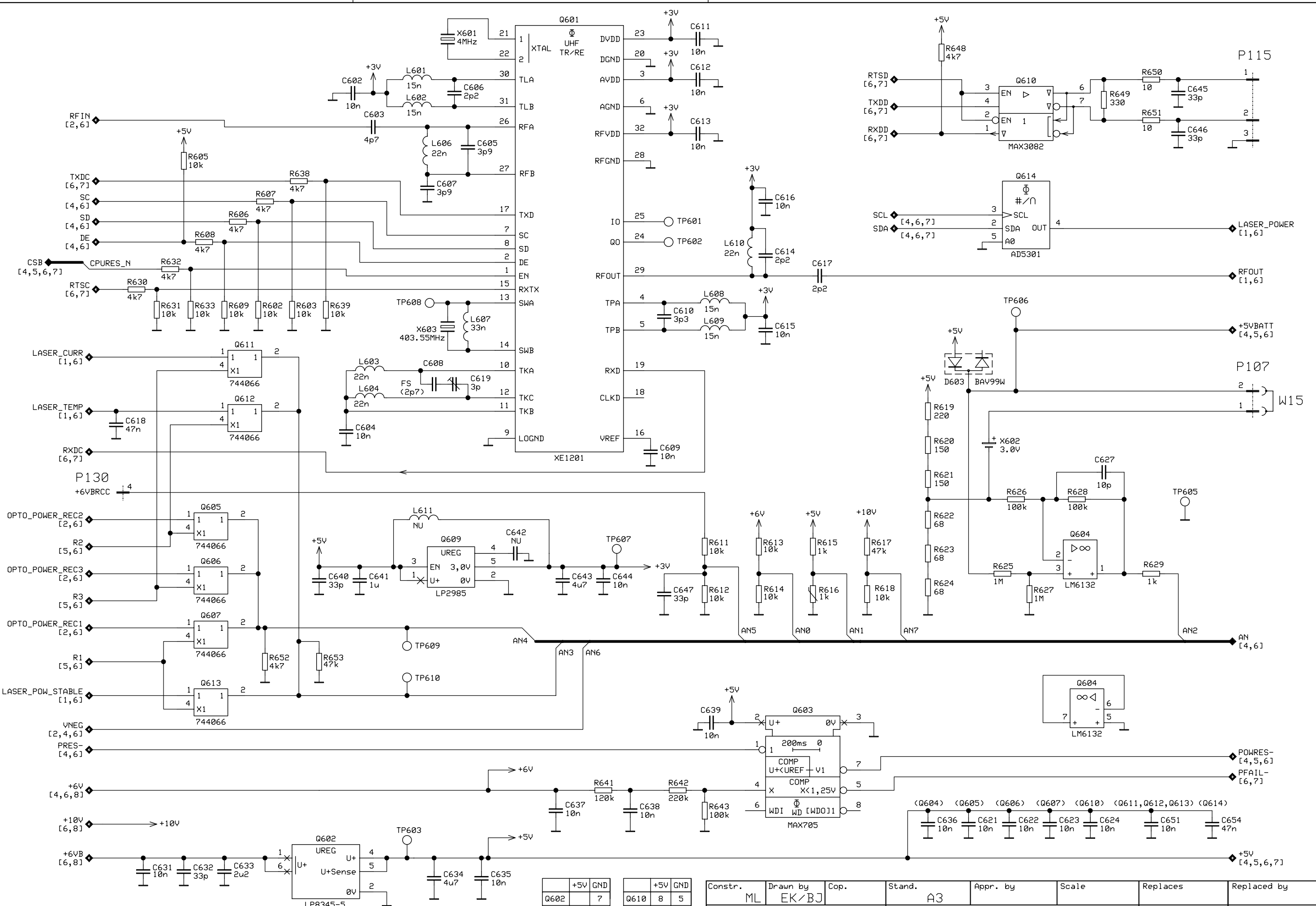
CADint A38se

CADint A38se




	+5V	+5VBATT	GND
Q501		28	14
Q502	32		16
Q503	10, 31		29, 30
Q504	5		3
Q505	11, 33		12, 34
Q506	16, 38		6, 17, 28, 39
Q507	20		10
Q511	14		7

Constr.	ML	Drawn by	EK/BJ	Cop.		Stand.	A3	Appr. by		Scale		Replaces		Replaced by	
												Sheet 5(8) Date 21FEB2005			
CIRCUIT DIAGRAM FON BOARD												Doc. No. K129/1-411 Rev. E			



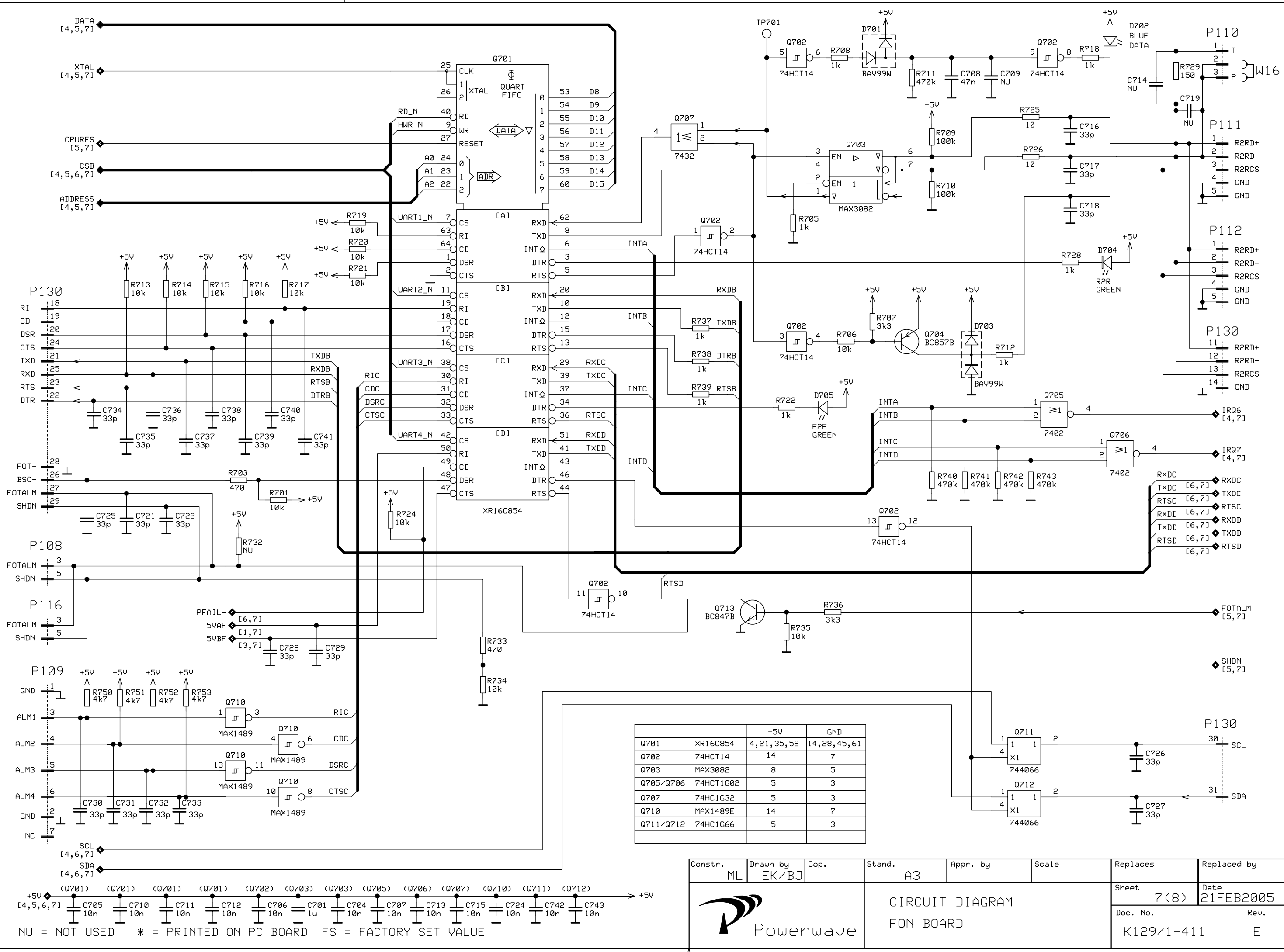
Q602	+5V	GND	7
Q604	8	4	
Q605	5	3	
Q606	5	3	
Q607	5	3	
Q610	8	5	
Q611	5	3	
Q612	5	3	
Q613	5	3	
Q614	6	1	

NU = NOT USED * = PRINTED ON PC BOARD FS = FACTORY SET VALUE

Constr.	ML	Drawn by	EK/BJ	Cop.		Stand.	A3	Appr. by		Scale		Replaces		Replaced by
													CIRCUIT DIAGRAM FON BOARD	
											Sheet	6(8)	Date	21FEB2005
											Doc. No.	K129/1-411	Rev.	E

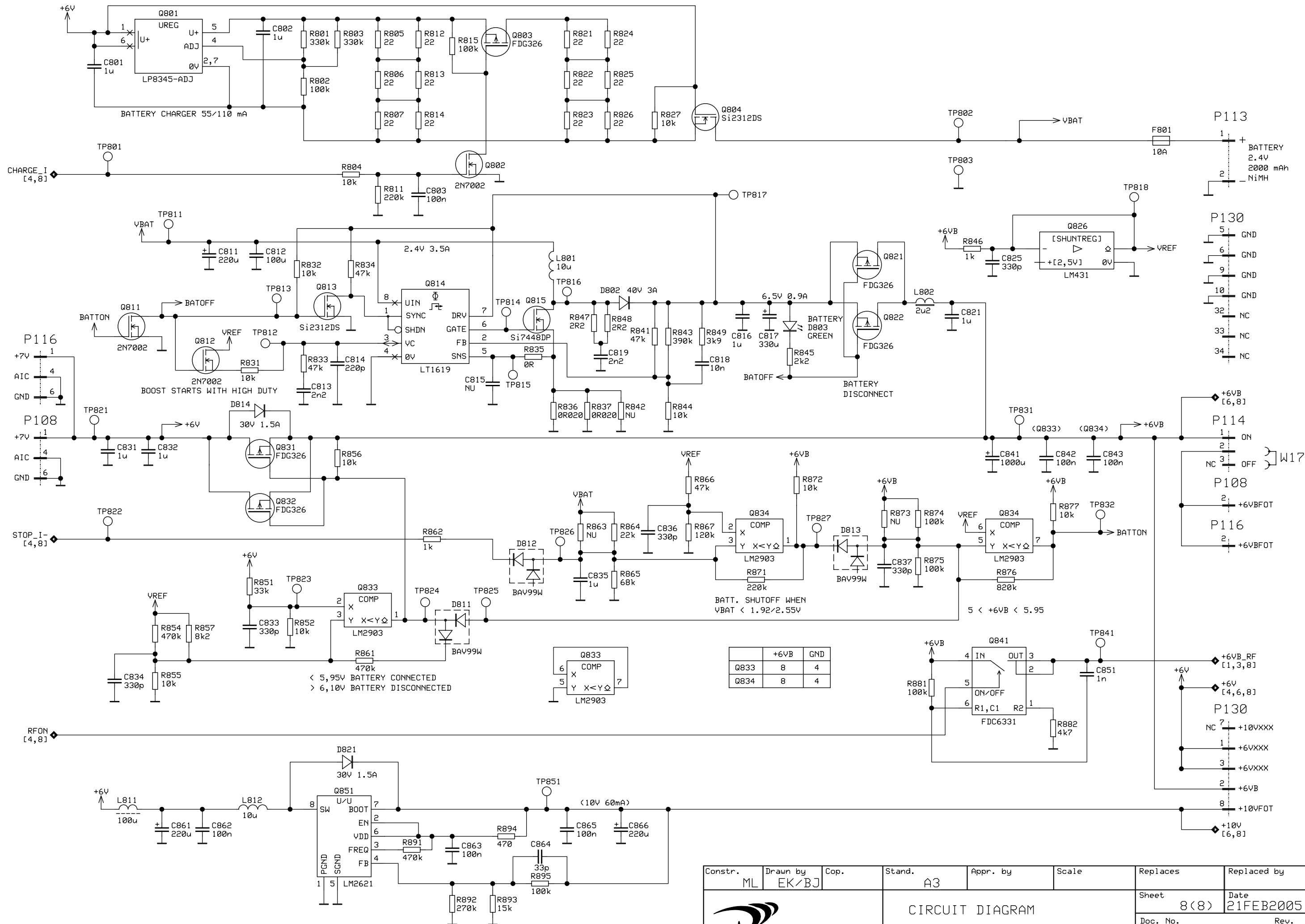
CADint A38se

CADint A38se




Constr.	ML	Drawn by	EK/BJ	Cop.		Stand.	A3	Appr. by		Scale		Replaces		Replaced by	
												Sheet 7(8) Date 21FEB2005 Doc. No. K129/1-411 Rev. E			

+5V [4,5,6,7] C705 10n C710 10n C711 10n C712 10n C706 10n C701 1u C704 10n C707 10n C713 10n C715 10n C724 10n C742 10n C743 10n → +5V
 NU = NOT USED * = PRINTED ON PC BOARD FS = FACTORY SET VALUE



NU = NOT USED * = PRINTED ON PC BOARD FS = FACTORY SET VALUE

Constr.	ML	Drawn by	EK/BJ	Cop.		Stand.	A3	Appr. by		Scale		Replaces		Replaced by	
												Sheet	8(8)	Date	21FEB2005
CIRCUIT DIAGRAM												Doc. No.	K129/1-411	Rev.	E
FON BOARD															

CADint A38se