

MICROSTRIP DIMENSIONS:


	L	W
TL1:	22	1.20
TL2:	23	0.25
TL3:	21	1.22
TL4:	2	0.85
TL5:	19	0.25
TL6:	21	0.67

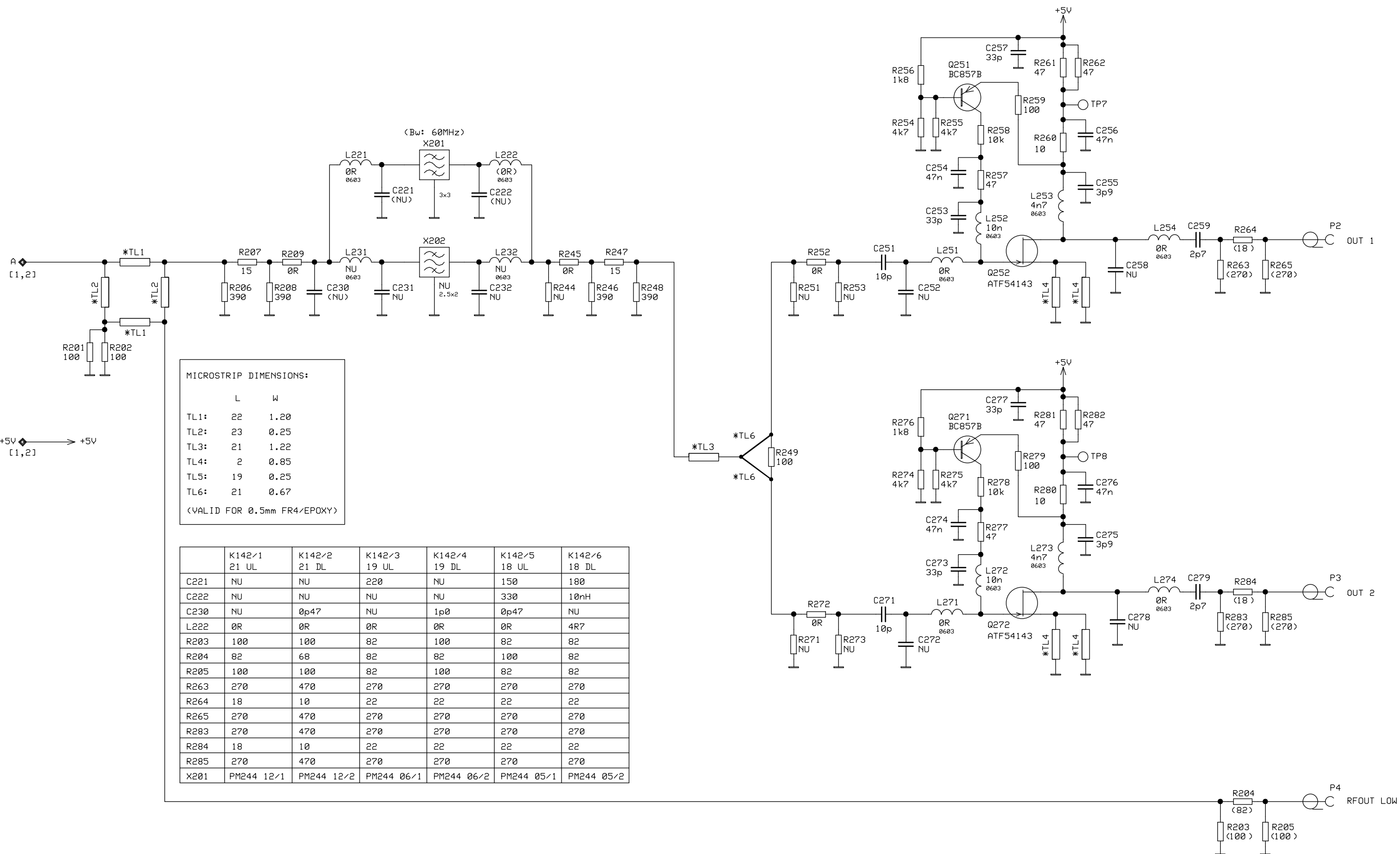
(VALID FOR 0.5mm FR4/EPOXY)

	K142/1 21 UL	K142/2 21 DL	K142/3 19 UL	K142/4 19 DL	K142/5 18 UL	K142/6 18 DL
C101	1p0	NU	NU	NU	NU	NU
C116	0p47	NU	NU	NU	NU	NU
C126	0p47	NU	NU	NU	NU	NU
C138	1p2	1p2	1p8	1p8	1p8	1p8
L113	0R	1n5	1n5	1n5	1n5	1n5
L114	6n8	NU	8n2	8n2	8n2	8n2
L115	6n8	NU	NU	NU	NU	NU
L123	0R	1n5	1n5	1n5	1n5	1n5

NOTE: COMPONENT VALUES MAY BE REVISED. FOR CURRENT VALUES - REFER TO THE PART LIST.
 VALUES IN BRACKETS () MAY VARY DIFFERENT VARIANTS.
 NU = NOT USED * = PRINTED ON PC BOARD FS = FACTORY SET VALUE

SCHEMAUTSKRIFT FÖR KONSTRUKTÖR

Constr. ML	Drawn by EK/LK	Cop.	Stand. A3	Appr. by	Scale	Replaces	Replaced by
 ALLGON INNOVATION SWEDEN		CIRCUIT DIAGRAM LNA 18/19/21 BOARD		Sheet 1(2)	Date 2003-12-12	Doc. No. K142/1-411	Rev. C



MICROSTRIP DIMENSIONS:

	L	W
TL1:	22	1.20
TL2:	23	0.25
TL3:	21	1.22
TL4:	2	0.85
TL5:	19	0.25
TL6:	21	0.67

<VALID FOR 0.5mm FR4/EPOXY>

	K142/1 21 UL	K142/2 21 DL	K142/3 19 UL	K142/4 19 DL	K142/5 18 UL	K142/6 18 DL
C221	NU	NU	220	NU	150	180
C222	NU	NU	NU	NU	330	10nH
C230	NU	0p47	NU	1p0	0p47	NU
L222	0R	0R	0R	0R	0R	4R7
R203	100	100	82	100	82	82
R204	82	68	82	82	100	82
R205	100	100	82	100	82	82
R263	270	470	270	270	270	270
R264	18	10	22	22	22	22
R265	270	470	270	270	270	270
R283	270	470	270	270	270	270
R284	18	10	22	22	22	22
R285	270	470	270	270	270	270
X201	PM244 12/1	PM244 12/2	PM244 06/1	PM244 06/2	PM244 05/1	PM244 05/2

SCHEMAUTSKRIFT FÖR KONSTRUKTÖR

Constr.	ML	Drawn by	EK/LK	Cop.		Stand.	A3	Appr. by		Scale		Replaces		Replaced by	
												Sheet	2(2)	Date	2003-12-12
												Doc. No.	K142/1-411	Rev.	C

NU = NOT USED * = PRINTED ON PC BOARD FS = FACTORY SET VALUE