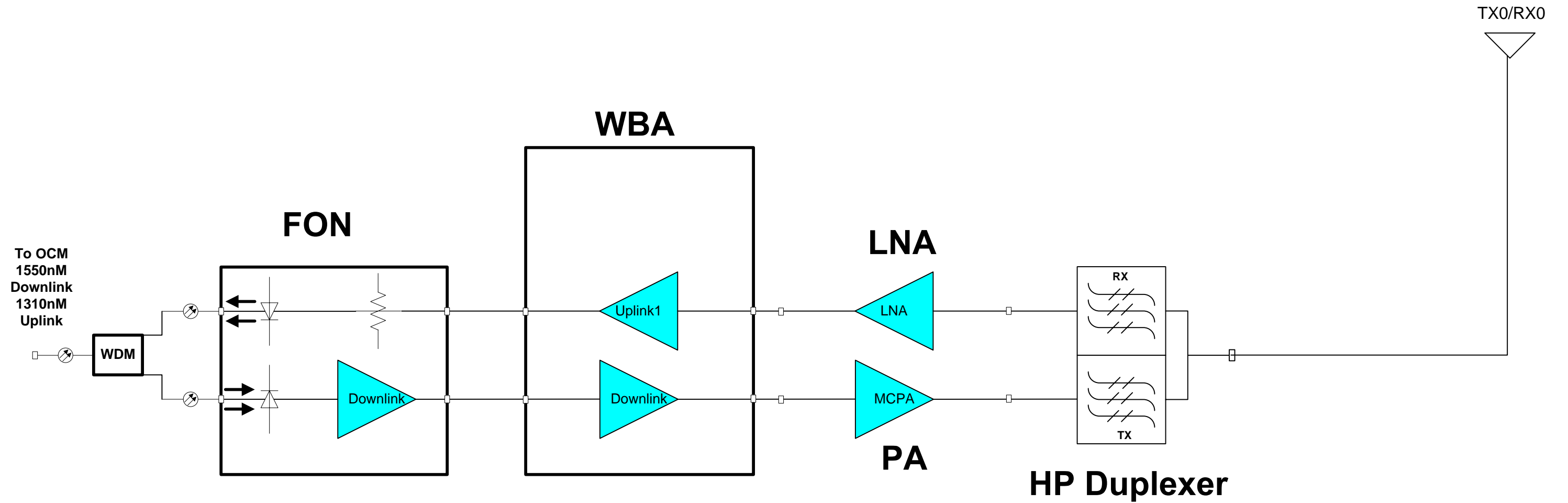


Non-Diversity Models



Diversity Models

