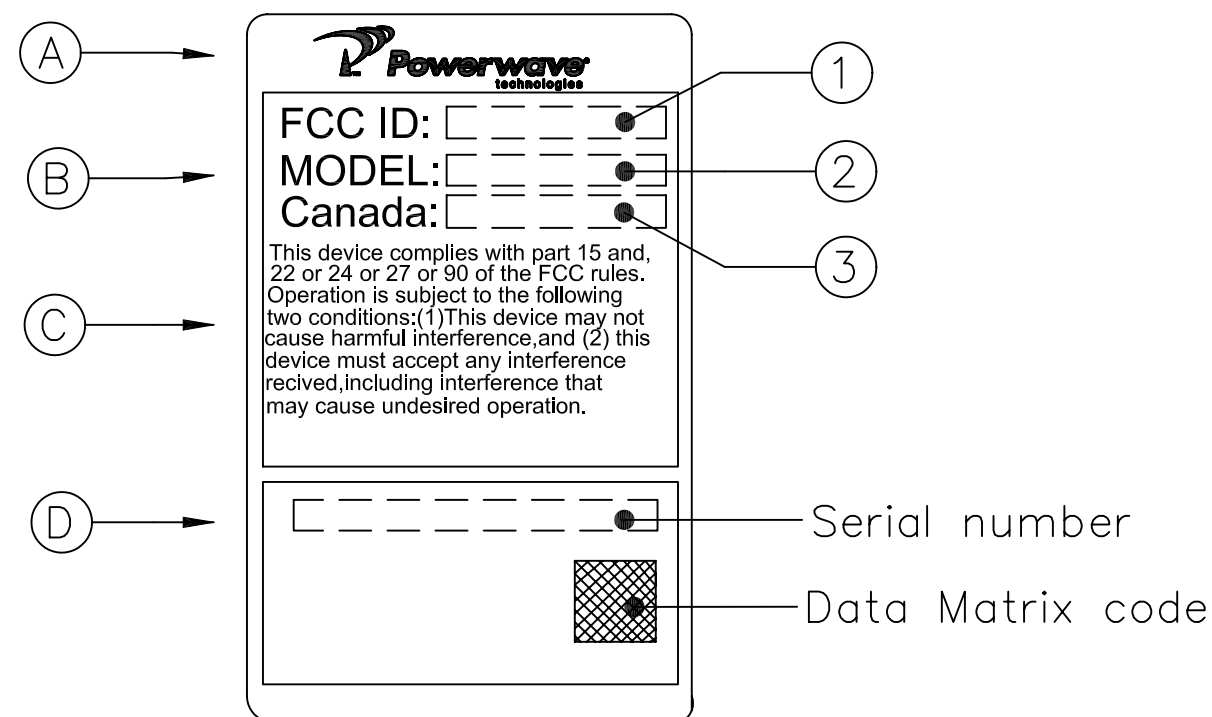



⊗ 1,2,3= Text alternative according to document VD204 60/1-225



⊗ The Powerwave logotype  is shown in a simplified mode, when printing the label use a correct file for the Powerwave logotype. The print colour should be black.

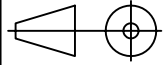

Note: The label material should be made of UL - recognized material according to category PGJ12

Font	Size
B= ARIAL BOLD	3mm
C= ARIAL	1,6mm
D= ARIAL	3mm

Material

Silver coloured metallized polyester Brady B-486

"Mondo Bondo" or similar.

Pos	No	PART No	Name	Note	
.	.	.	.	.	
Material			Treatment	Finish	
VD201 77/1-201			.	.	
Drawn by/Date		031208 TJn		Tolerance acc ISO 2768-1	Page
Description		Printed label		Scale	CAD-file
		1:1	.	VD203 95/1	A4
Drawing no.			VD203 95/1-201	Rev	D