

System Configuration Examples

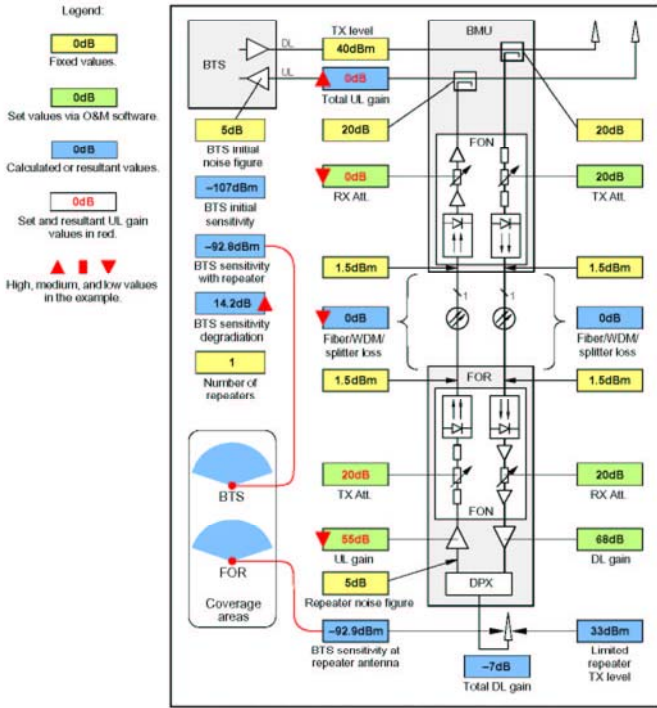


Figure 6-4. One FOR, low optical loss, low uplink gain and attenuation

Figure 6-4 shows a FOR connected with low optical loss, low uplink gain and low uplink attenuation. The *BTS sensitivity degradation* is high.

High total uplink gain and a *BTS sensitivity with repeater* very close to the *BTS sensitivity at the repeater antenna* indicates a similar coverage area for the BTS and the FOR.