

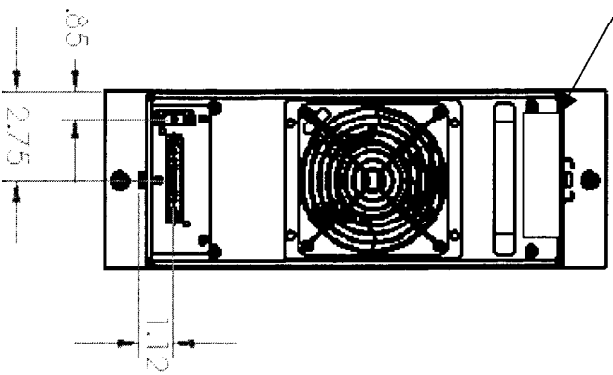
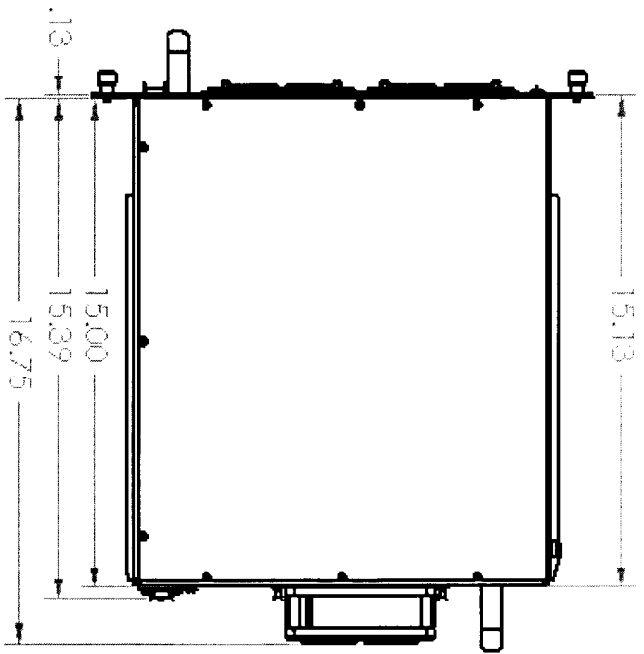
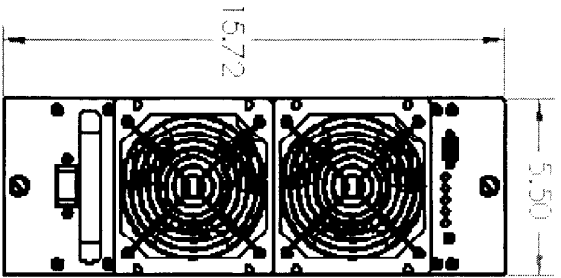


SAMPLE LABEL

Model Number: MCR9129-90-A  
Input: 27VDC, 45A Maximum  
Output: 100W  
FCC ID: E675JS0063  
S/N: xxxxx



Date Code 5002  
Made in U.S.A.



Label location