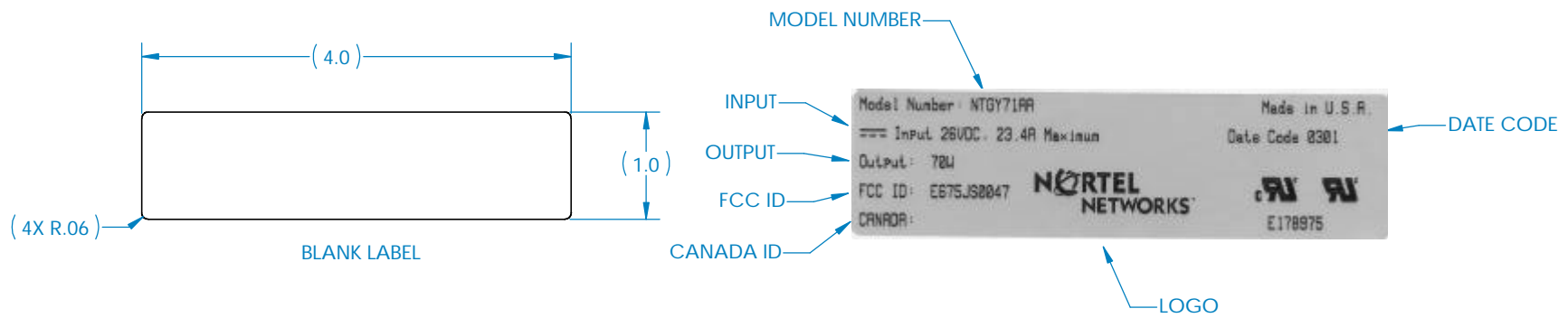


THE INFORMATION CONTAINED IN THIS DOCUMENT IS PROPRIETARY TO POWERWAVE TECHNOLOGIES. ANY REPRODUCTION IN PART OR WHOLE WITHOUT PRIOR WRITTEN AUTHORIZATION OF POWERWAVE TECHNOLOGIES IS PROHIBITED.

REVISIONS		
REV.	DESCRIPTION	REV BY
D	REV PER ECO-15920	J.R.

NOTES: UNLESS OTHERWISE SPECIFIED.

1. DRAWING FOR REFERENCE ONLY. ACTUAL LABEL MAY DIFFER FROM DRAWING.
2. MATERIAL: MAKE FROM PWAV P/N 900-00087-001.
3. IMPRINT LABEL WITH INFORMATION SHOWN IN TABLE 1 USING DATAMAX LABELING SYSTEM.



-001 SHOWN

TABLE 1

DASH No.	PART DESCRIPTION	MODEL NUMBER	INPUT	OUTPUT	FCC ID	DATE CODE	LOGO
-001	AMPLIFIER	NTGY71AA	26VDC, 23.4A MAXIMUM	70W	E675JS0047	WEEK/YEAR	NORTEL
-002	AMPLIFIER	NTGY81AA	26VDC, 21.2A MAXIMUM	50W	E675JS0046	WEEK/YEAR	NORTEL
-003	AMPLIFIER	NTGY71AB	26VDC, 23.4A MAXIMUM	70W	E675JS0047	WEEK/YEAR	NORTEL
-004	AMPLIFIER	NTGY81AB	26VDC, 21.2A MAXIMUM	50W	E675JS0046	WEEK/YEAR	NORTEL
-005	AMPLIFIER	NTGY81AC	26VDC, 21.2A MAXIMUM	50W	E675JS0059	WEEK/YEAR	NORTEL

SEE TABULATION BLOCK FOR PART REVISIONS

-005	A	SEQUOIA SOFT FAIL	UNLESS OTHERWISE SPECIFIED DIMENSIONS ARE IN INCHES TOLERANCES ARE: FRACTIONS DECIMALS ANGLES ± .XXX ± .01 ± 1° ± .XXX ± .005	CAD GENERATED DRAWING. DO NOT MANUALLY UPDATE	1801 E. St Andrew Place Santa Ana, CA 92705 +1.714.466.1000						
-004	A	HURRICANE SOFT FAIL				APPROVALS	DATE				
-003	A	TORNADO SOFT FAIL				DRAWN	001127				
-002	A	HURRICANE NON-SOFT FAIL				MECH					
-001	A	TORNADO NON-SOFT FAIL				ELEC					
DASH No.	REV	DESCRIPTION	MATERIAL	FINISH	APPROVALS	DATE	SIZE	DWG. NO.	SCALE	RELEASE DATE	REV
		TABULATION			DO NOT SCALE DRAWING	DOC CNTRL	B	100-04879	1:1		D

REGULATORY LABEL, MFRM 800 AND 1900

100-04879 SHEET 1 OF 1