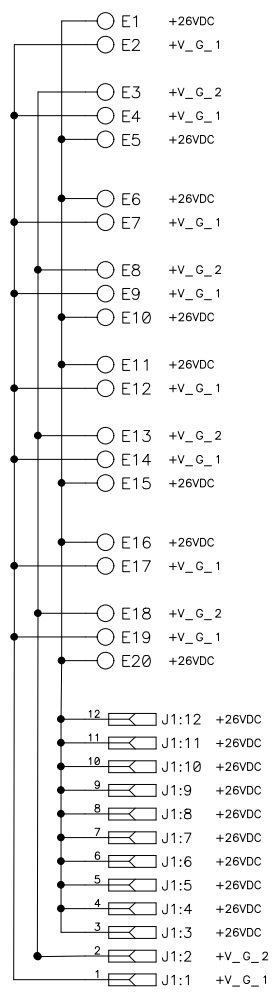
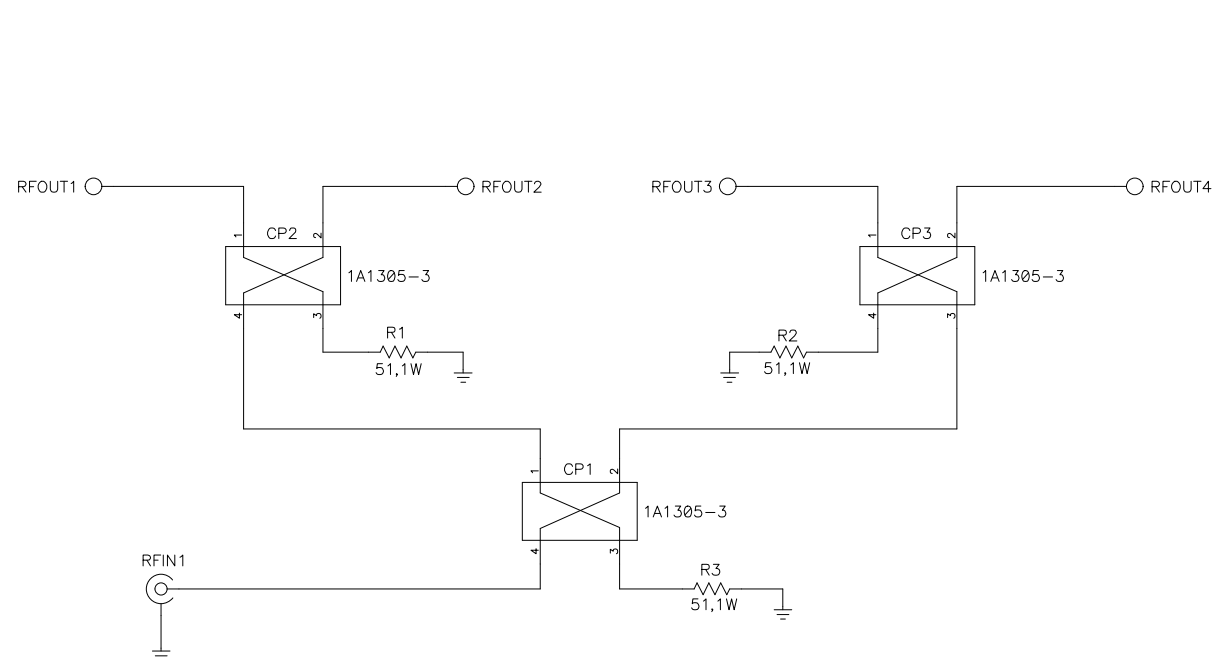


THE INFORMATION CONTAINED IN THIS DOCUMENT IS PROPRIETARY TO POWERWAVE TECHNOLOGIES. ANY REPRODUCTION IN PART OR WHOLE WITHOUT PRIOR WRITTEN AUTHORIZATION OF POWERWAVE TECHNOLOGIES IS PROHIBITED.

NOTES: UNLESS OTHERWISE SPECIFIED

1. ALL CAPACITOR VALUES ARE IN MICROFARADS.
2. ALL RESISTOR VALUES ARE IN OHMS.
3. REFERENCE ASSEMBLY DRAWING 500-01080.
4. LAST USED REFERENCE DESIGNATORS:
CP3, R3, J1, E23, RFIN1, RFOUT4.

REVISIONS				
REV	DESCRIPTION	REV BY	DATE	APPROVED
A	RELEASE PER ECO-05917	G.S.		
B	REVISED PER ECO-10259	G.S.		



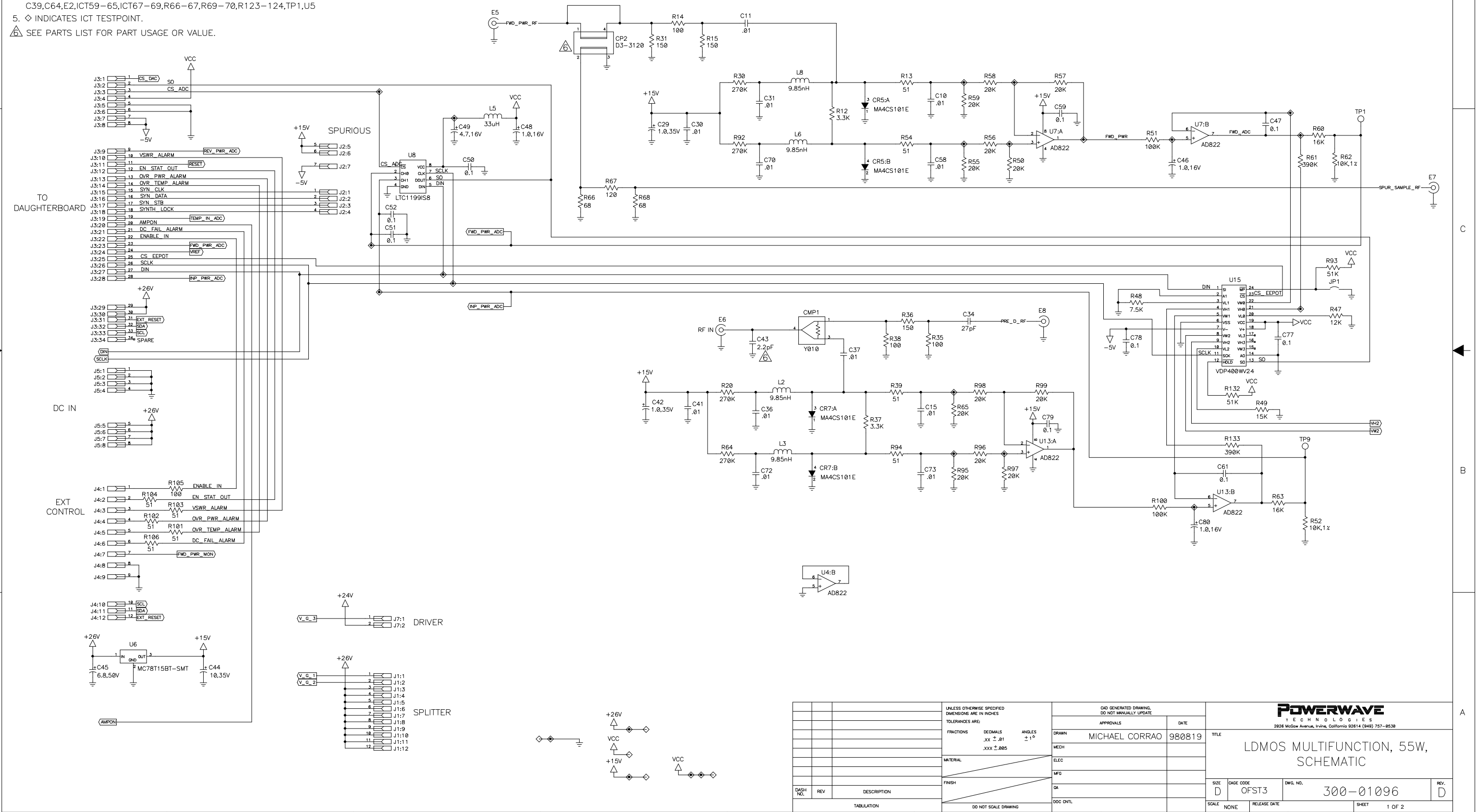
UNLESS OTHERWISE SPECIFIED DIMENSIONS ARE IN INCHES TOLERANCES ARE:		CAD GENERATED DRAWING. DO NOT MANUALLY UPDATE		 2026 McGow Avenue, Irvine, California 92614 (949) 889-1100	
FRACTIONS	DECIMALS	ANGLES	APPROVALS		
	.XX ± .01	± 1°	DESIGN	G. SMITH	990329
	.XXX ± .005		MATERIAL		
			FINISH		
			DO NOT SCALE DRAWING		
DASH NO.	REV	DESCRIPTION	TITLE		SCALE
			SPLITTER, 4 WAY-EAGLE 4 SCHEMATIC		NTS
TABULATION			SIZE	CODE	DRW. NO.
			C	OFST3	300-01080
			SCALE	RELEASE DATE	SHEET
					1 OF 1

THE INFORMATION CONTAINED IN THIS DOCUMENT IS PROPRIETARY TO POWERWAVE TECHNOLOGIES. ANY REPRODUCTION IN PART OR WHOLE WITHOUT PRIOR WRITTEN AUTHORIZATION OF POWERWAVE TECHNOLOGIES IS PROHIBITED.

NOTES: UNLESS OTHERWISE SPECIFIED

1. ALL CAPACITOR VALUES ARE IN MICROFARADS.
2. ALL RESISTOR VALUES ARE IN OHMS.
3. REFERENCE ASSEMBLY DRAWING 500-01096-XXX.
4. LAST USED REFERENCE DESIGNATORS:
C87,CMP1,CP2,CR18,E8,ICT105,J7,JP1,L10,Q7,R134,TP10,U19
4. NOT USED REFERENCE DESIGNATORS:
C39,C64,E2,ICT59-65,ICT67-69,R66-67,R69-70,R123-124,TP1,U5
5. ◇ INDICATES ICT TESTPOINT.
- △ SEE PARTS LIST FOR PART USAGE OR VALUE.

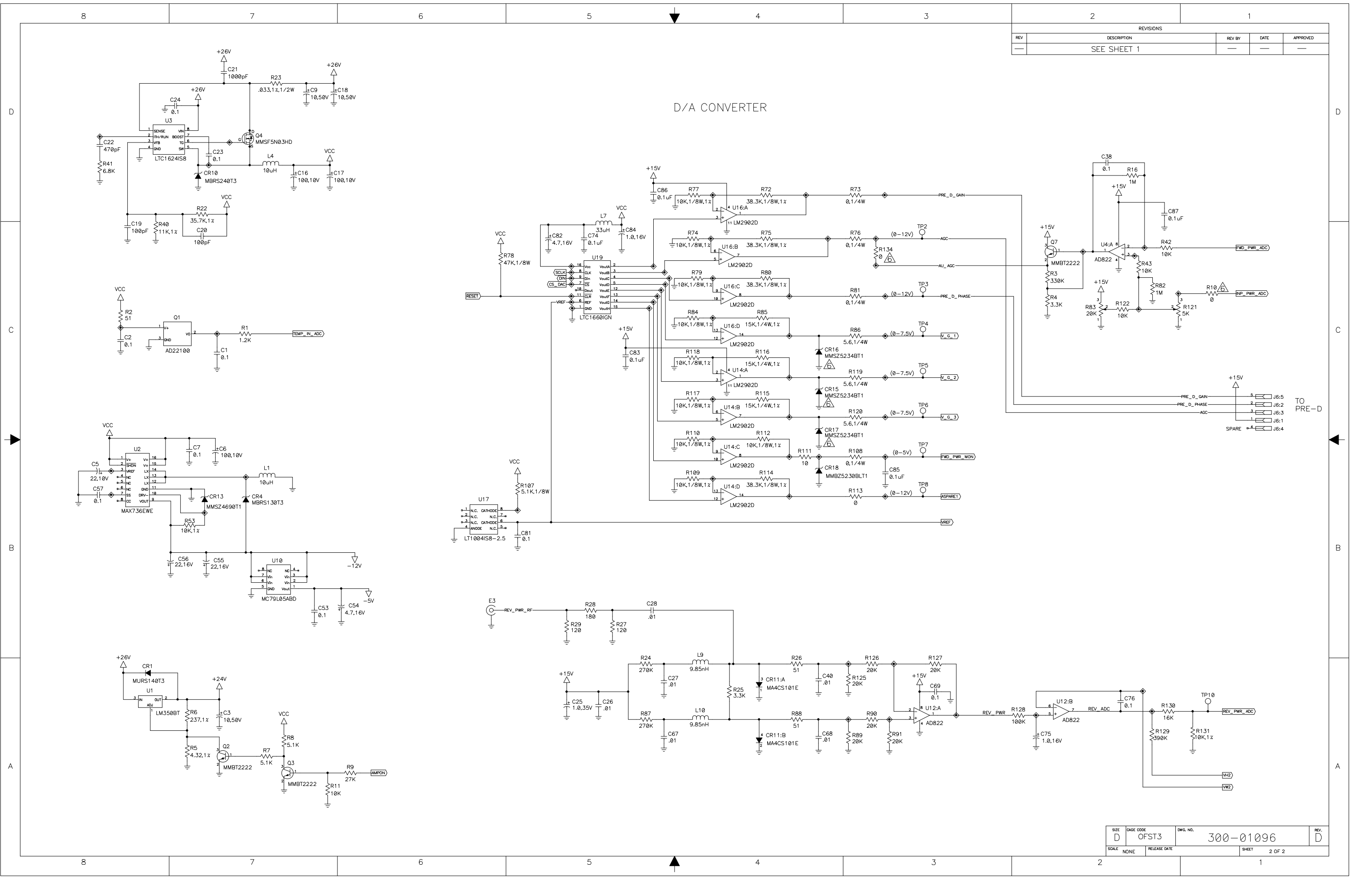
REVISIONS				
REV	DESCRIPTION	REV BY	DATE	APPROVED
A	RELEASED PER EO 5980	M.C.	990409	TIM B.
B	RELEASED PER EO 6706	M.C.		
C	RELEASED PER ECO-07094	GS		
D	REVISED PER ECO-07545	MG		



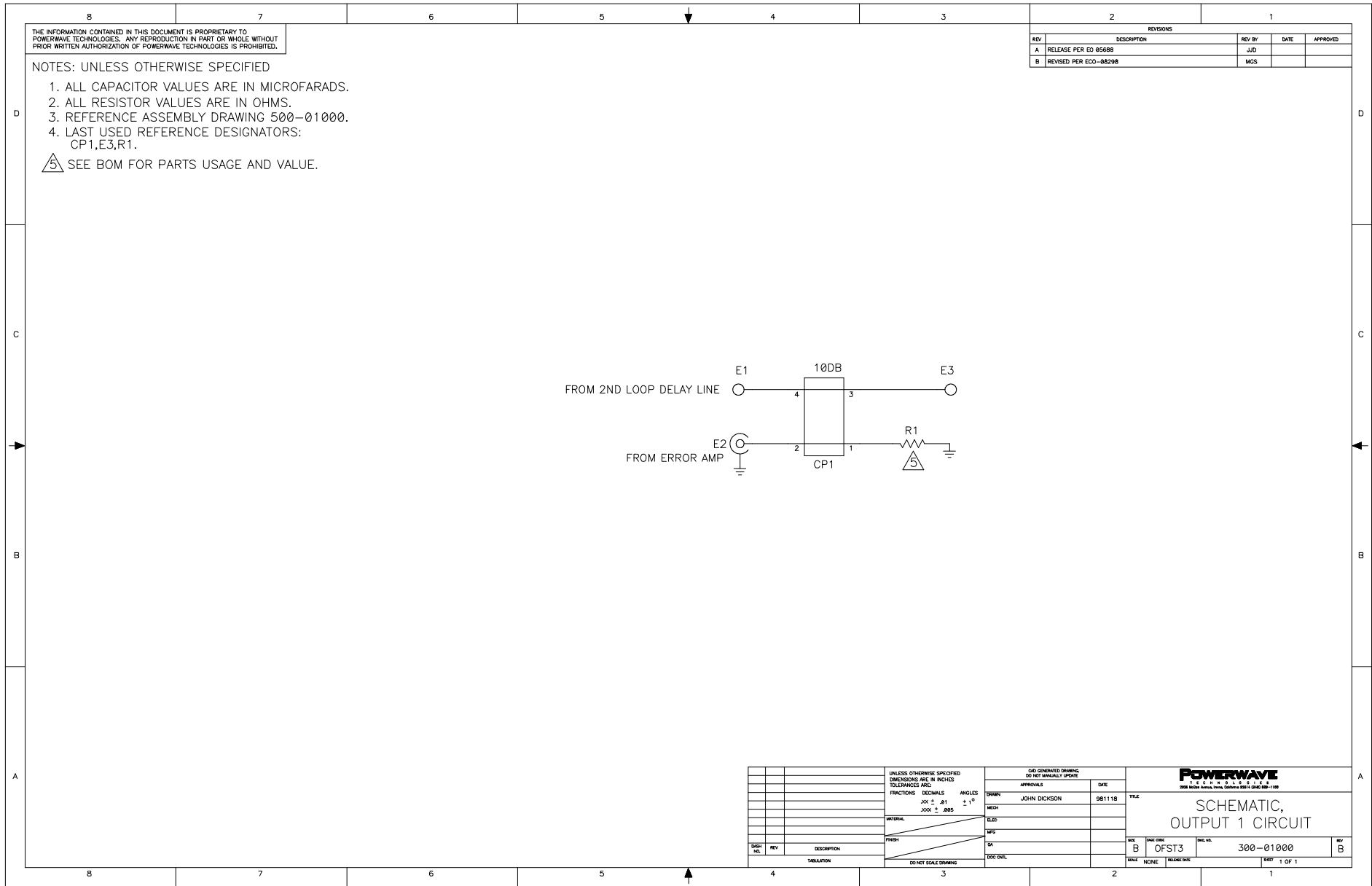
UNLESS OTHERWISE SPECIFIED DIMENSIONS ARE IN INCHES		CAD GENERATED DRAWING. DO NOT MANUALLY UPDATE		POWERWAVE TECHNOLOGIES	
TOLERANCES ARE:		APPROVALS		2826 McGraw Avenue, Irvine, California 92614 (949) 757-8538	
FRACTIONS	DECIMALS	DATE	TITLE		
XX ± .01	.XX ± .01	980819	LD MOS MULTIFUNCTION, 55W, SCHEMATIC		
XXX ± .005	.XXX ± .005				
MATERIAL		DRAWN	MICHAEL CORRAO		
FINISH		MECH			
DASH NO.		ELEC			
REV		MFG			
DESCRIPTION		QA			
TABULATION		DOC CNTL			
DO NOT SCALE DRAWING		SCALE	NONE		
		RELEASE DATE			
		DWG. NO.	300-01096		
		REV.	D		
		SHEET	1 OF 2		

REVISIONS			
REV	DESCRIPTION	REV BY	DATE
—	SEE SHEET 1	—	—

D/A CONVERTER



SIZE	D	DWG. NO.	300-01096	REV.	D
SCALE	NONE	RELEASE DATE		SHEET	2 OF 2



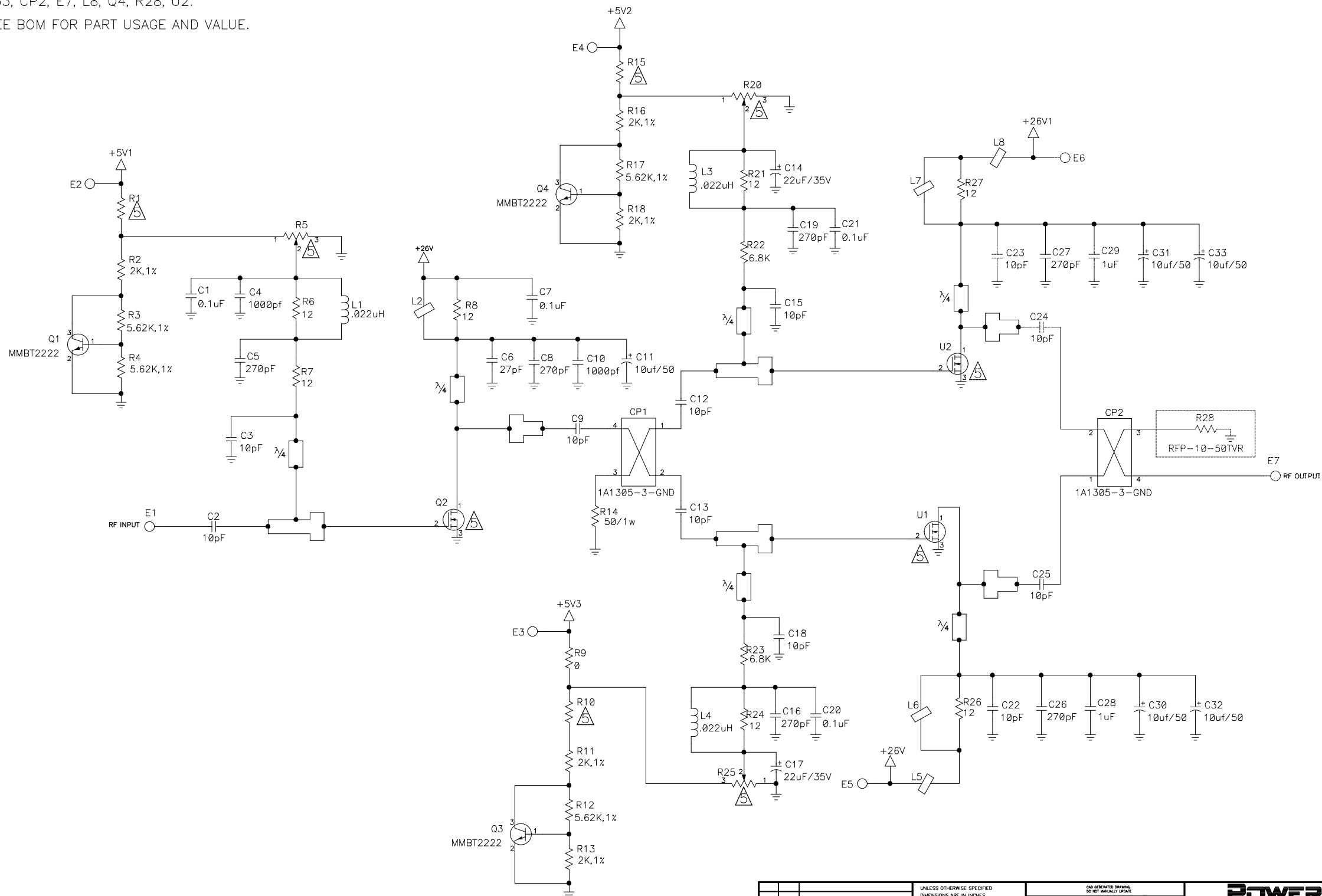
THE INFORMATION CONTAINED IN THIS DOCUMENT IS PROPRIETARY TO POWERWAVE TECHNOLOGIES. ANY REPRODUCTION IN PART OR WHOLE WITHOUT PRIOR WRITTEN AUTHORIZATION OF POWERWAVE TECHNOLOGIES IS PROHIBITED.

REVISIONS				
REV	DESCRIPTION	REV BY	DATE	APPROVED
01	PRELIMINARY RELEASE PER ECO-05702	M.M.		
A	REVISED PER ECO-07545	MGS		

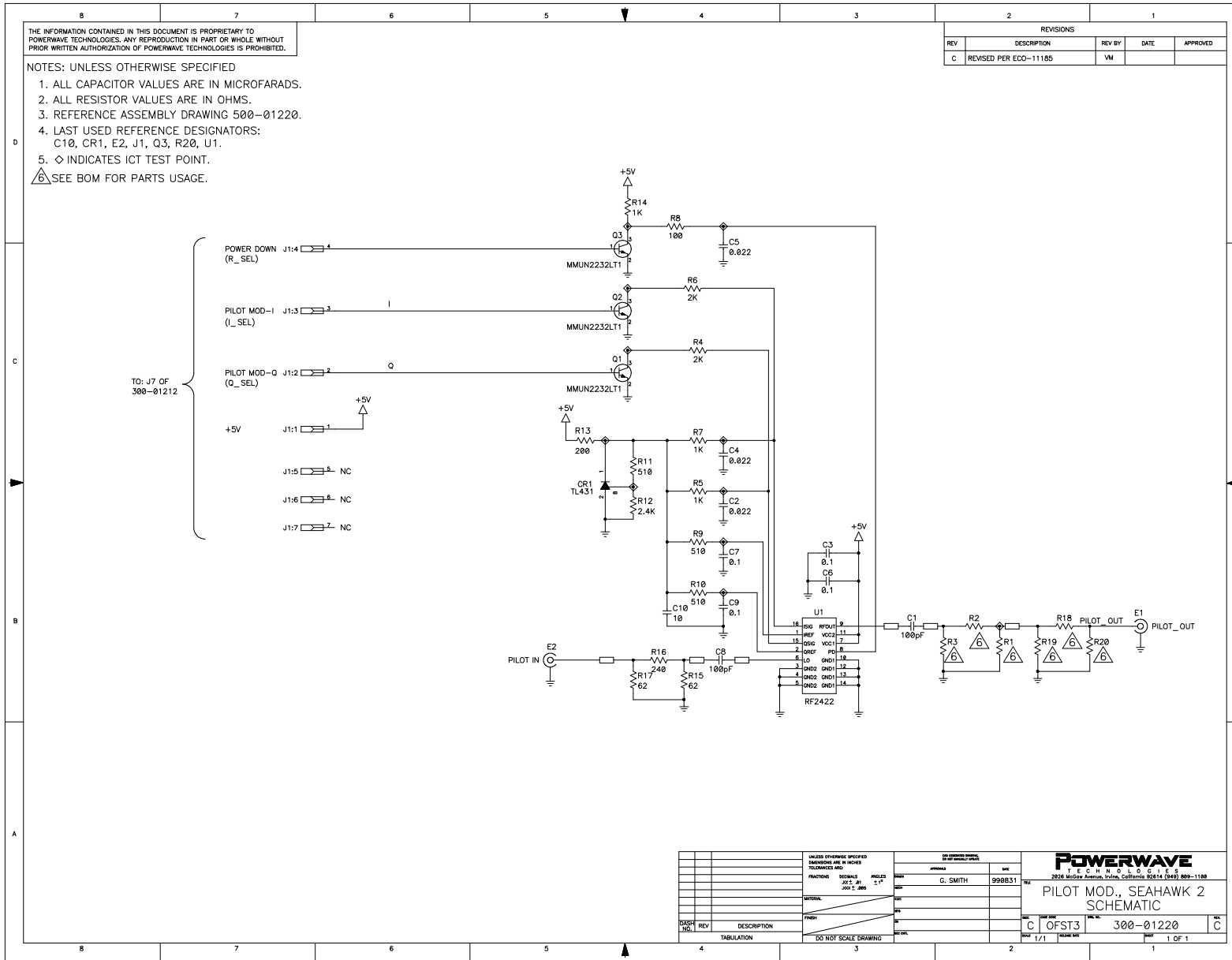
NOTES: UNLESS OTHERWISE SPECIFIED

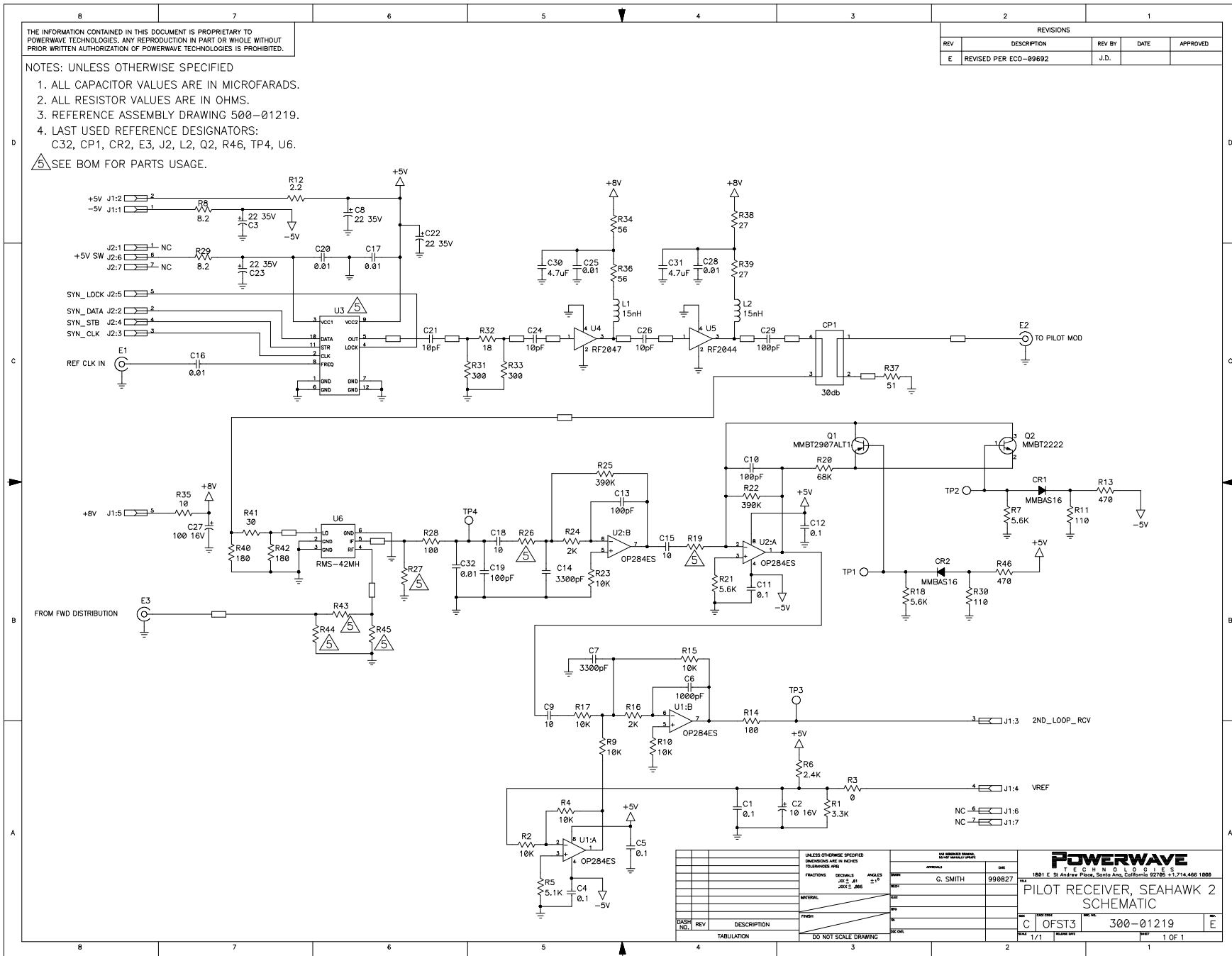
1. ALL CAPACITOR VALUES ARE IN MICROFARADS.
2. ALL RESISTOR VALUES ARE IN OHMS.
3. REFERENCE ASSEMBLY DRAWING 500-01058.
4. LAST USED REFERENCE DESIGNATORS:
C33, CP2, E7, L8, Q4, R28, U2.

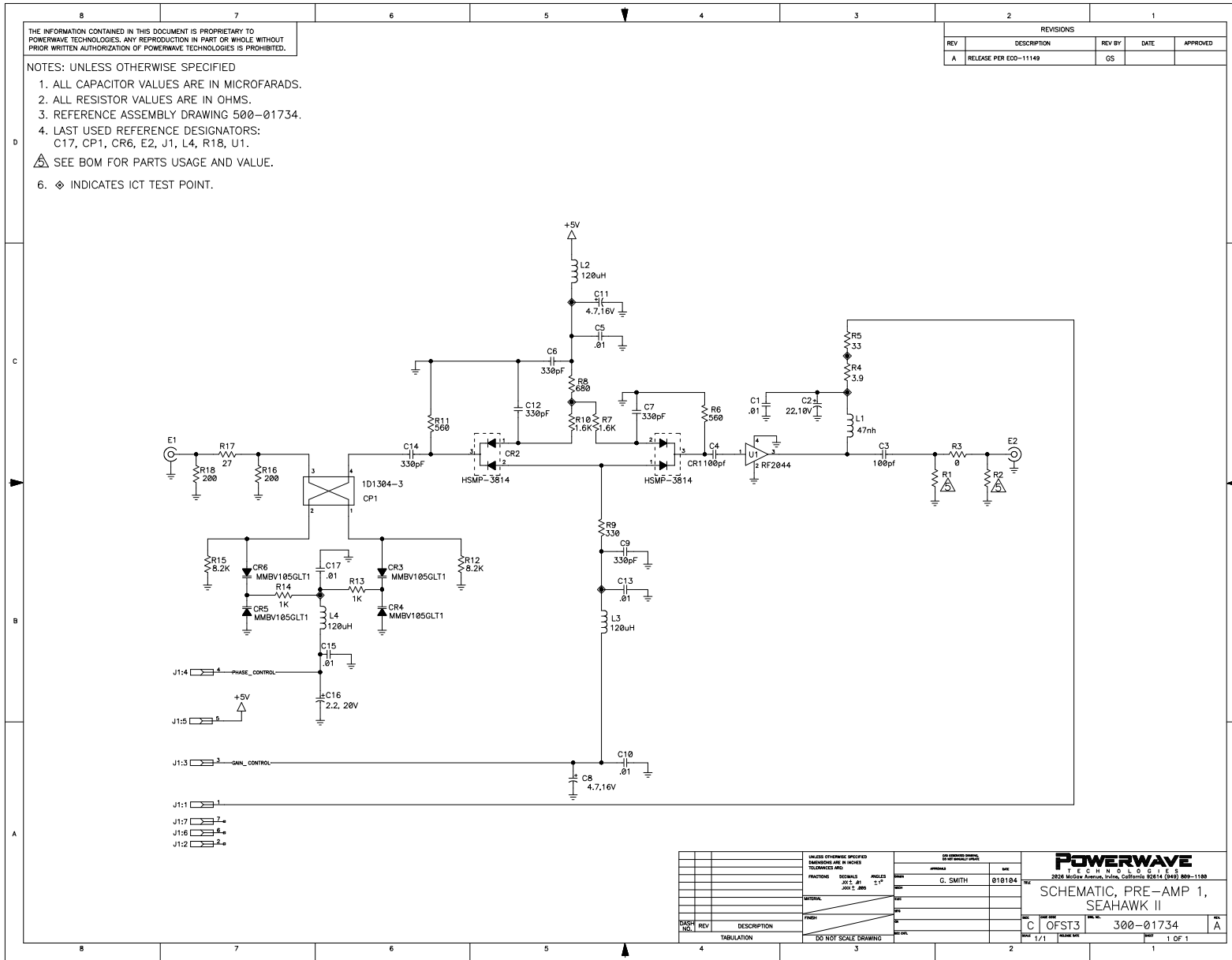
SEE BOM FOR PART USAGE AND VALUE.



UNLESS OTHERWISE SPECIFIED DIMENSIONS ARE IN INCHES TOLERANCES ARE:		CDS GENERATED DRAWING, DO NOT MANUALLY UPDATE		 2026 McGow Avenue, Irvine, California 92614 (949) 757-0530	
FRACTIONS	DECIMALS	ANGLES	DRAWN	APPROVALS	DATE
	.XX5 .01	±1°	MICHAEL MARTINEZ		990223
	.XXX ± .005				
MATERIAL		SPEC		TITLE	
FINISH		MFG		SCHEMATIC PALLET, LD MOS, EVALUATION	
DASH NO	REV	DESCRIPTION	SIZE	DATE	REV
			C	0FST3	A
TABULATION		DO NOT SCALE DRAWING		SCALE 1/1	
				PAGE NO 300-01058	
				SHEET 1 OF 1	





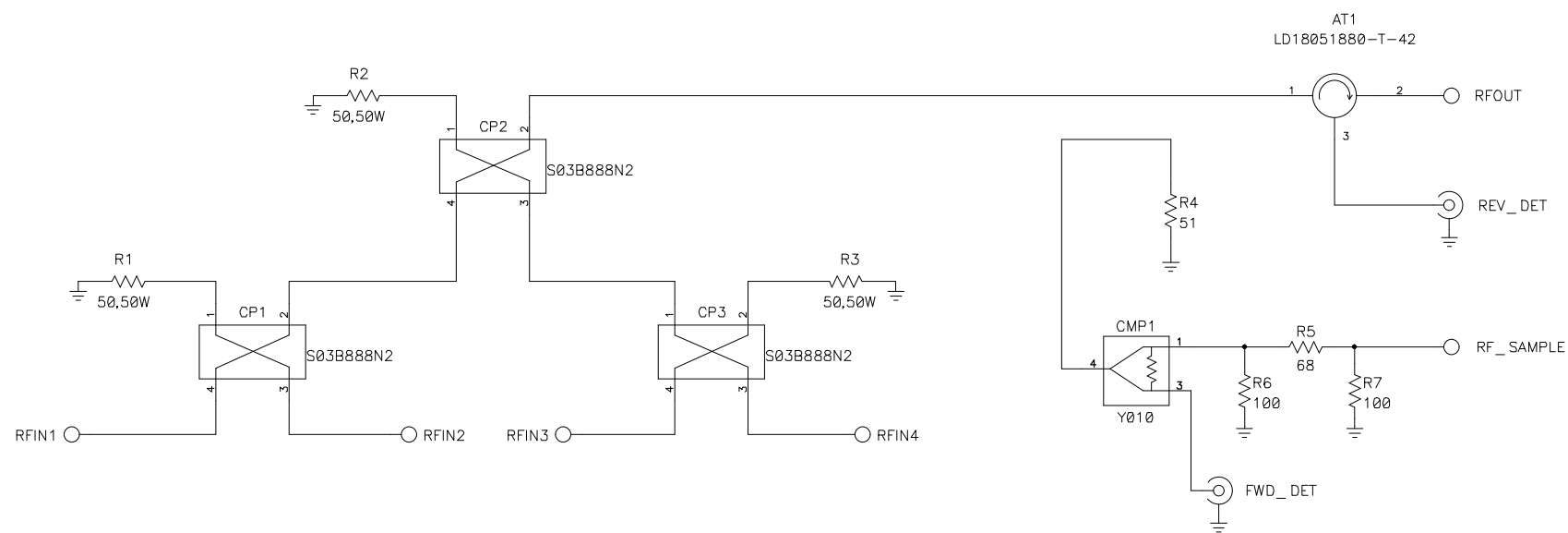


THE INFORMATION CONTAINED IN THIS DOCUMENT IS PROPRIETARY TO POWERWAVE TECHNOLOGIES. ANY REPRODUCTION IN PART OR WHOLE WITHOUT PRIOR WRITTEN AUTHORIZATION OF POWERWAVE TECHNOLOGIES IS PROHIBITED.

NOTES: UNLESS OTHERWISE SPECIFIED

1. ALL CAPACITOR VALUES ARE IN MICROFARADS.
2. ALL RESISTOR VALUES ARE IN OHMS.
3. REFERENCE ASSEMBLY DRAWING 500-01066.
4. LAST USED REFERENCE DESIGNATORS:
AT1, CMP1, CP3, R7.

REVISIONS				
REV	DESCRIPTION	REV BY	DATE	APPROVED
A	RELEASE PER ECO-05810	T.B.	990311	
B	REVISED PER ECO-06514	JJD		
C	REVISED PER ECO-08849	J.T	5/2/00	



UNLESS OTHERWISE SPECIFIED DIMENSIONS ARE IN INCHES TOLERANCES ARE:		CAD GENERATED DRAWING DO NOT MANUALLY UPDATE		 2026 McGow Avenue, Irvine, California 92614 (949) 889-1100	
FRACTIONS	DECIMALS	ANGLES	APPROVALS	DATE	TITLE
	.XX ± .01	± °	JOHN J. DICKSON	990623	COMBINER, 4 WAY-HYBRID SCHEMATIC
XXX ± .005					
MATERIAL			SCALE		
FINISH			RELEASE DATE		
DO NOT SCALE DRAWING			1 OF 1		
DASH NO.	REV	DESCRIPTION	SIZE	DATE	REV
			C	OFST3	C
TABULATION		SCALE		REV	
		NTS		5/2/00	