

Functional Block Diagram

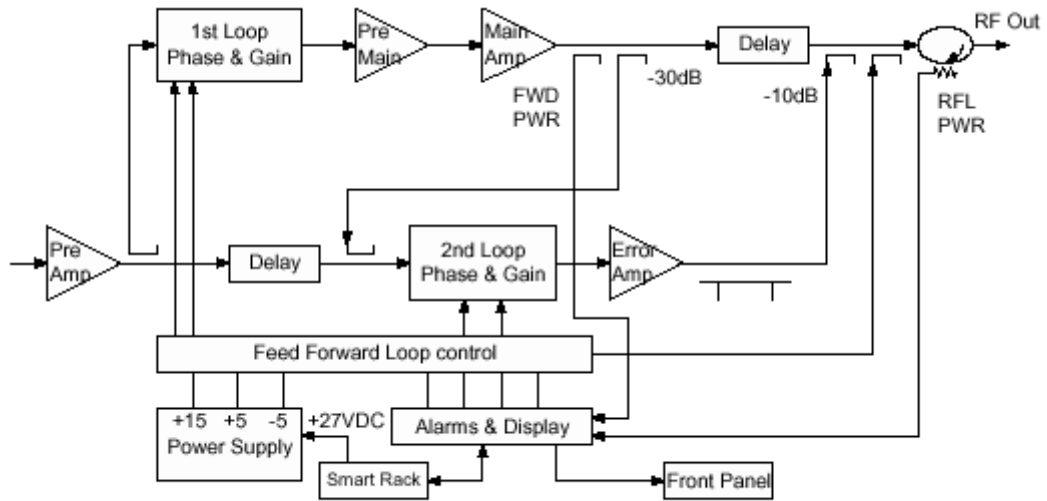


Figure 4-1 G3S-800-140 Power Amplifier Module Functional Block Diagram