

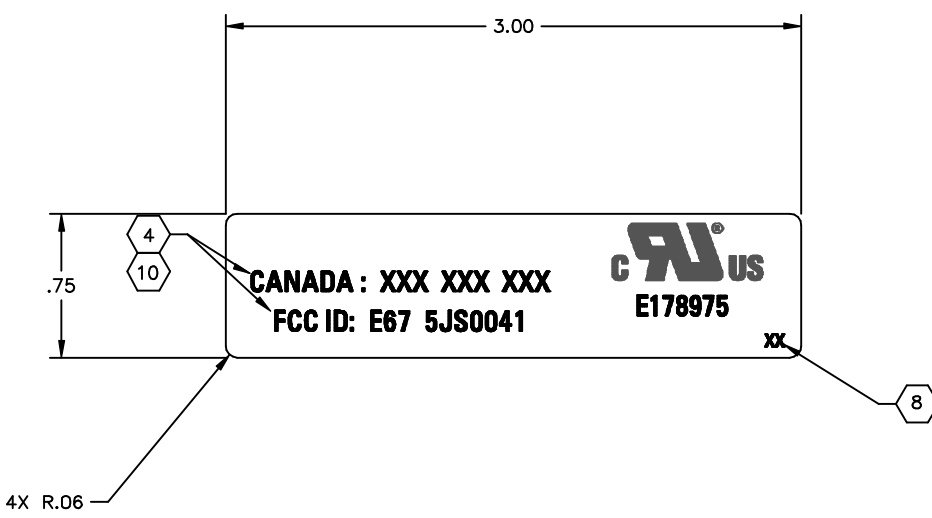
8 7 6 5 4 3 2 1

THE INFORMATION CONTAINED IN THIS DOCUMENT IS PROPRIETARY TO POWERWAVE TECHNOLOGIES. ANY REPRODUCTION IN PART OR WHOLE WITHOUT PRIOR WRITTEN AUTHORIZATION OF POWERWAVE TECHNOLOGIES IS PROHIBITED.

REVISIONS			
REV	DESCRIPTION	REV BY	DATE
A	REV PER ECO XXXXX	T.B.	

NOTES: UNLESS OTHERWISE SPECIFIED

1. THE PARTS MUST NOT BE MADE WITH OR CONTAIN, OZONE DEPLETING SUBSTANCES.
2. MATERIAL: .002-.004 THICK, WHITE POLYESTER WITH PRESSURE SENSITIVE ADHESIVE BACK, 3M # PS 9472.
3. TEXT COLOR SHALL BE BLACK.
- 4 TEXT FONT IS UNIVERS 67, 10pt.
5. LABELS TO BE SUPPLIED INDIVIDUALLY CUT 50 PER BUNDLE.
6. BAG AND TAG 1000 LABELS PER BAG WITH PART NO. 100-03700-001 AND CURRENT REVISION LETTER.
7. THE MATERIAL SHALL BE SHIPPED WITH THE FOLLOWING INFORMATION IN PACKAGING THAT WILL PREVENT DAMAGE DURING SHIPPING, HANDLING AND STORAGE.
 - A. VENDOR NAME
 - B. POWERWAVE PART NUMBER
 - C. POWERWAVE P.O. NUMBER
 - D. QUANTITY
- 8 TEXT "XX" IS LABEL MANUFACTURER'S CSA DESIGNATION. TEXT FONT IS UNIVERS 67, 6pt.
- 9 PHOTO READY ARTWORK MUST BE OBTAINED FROM POWERWAVE.
- 10 TEXT IS SHOWN FOR ILLUSTRATIVE PURPOSES ONLY. FOLLOW OTHER NOTES FOR EXACT INFORMATION REGARDING FONT SIZE AND TYPE.
11. APPROVAL IN WRITING BY POWERWAVE AND NORTEL/ NETWORKS OF PHOTOGRAPHIC QUALITY ARTWORK PROOF IS REQUIRED BEFORE VENDOR CAN MANUFACTURE THE LABEL.



SEE SEPARATE PARTS LIST 800-01051-002
SEE TABULATION BLOCK FOR PART REVISION

UNLESS OTHERWISE SPECIFIED DIMENSIONS ARE IN INCHES		DO NOT MANUALLY UPDATE		 <small>3028 McGee Avenue, Irvine, California 92614 (714) 757-0530</small>	
TOLERANCES ARE:		APPROVALS	DATE	TITLE	
FRACTIONS DECIMALS ANGLES		DRAWN	991012	LABEL, REGULATORY	
XXX: .01 ± 1"		THOMAS BAUER		SPA9325-30	
XXX: .005		MECH		SIZE SCALE CODE DWG. NO.	
MATERIAL		ELEC		B OFST3 100-03700-001	A
FINISH		MFG		SCALE 1/1	RELEASE DATE YRMO DD
DASH REV		QA		SHEET 1 OF 1	
TABULATION		DOC CNTRL			
DO NOT SCALE DRAWING					

8 7 6 5 4 3 2 1