

## EXHIBIT 4: Block Diagram

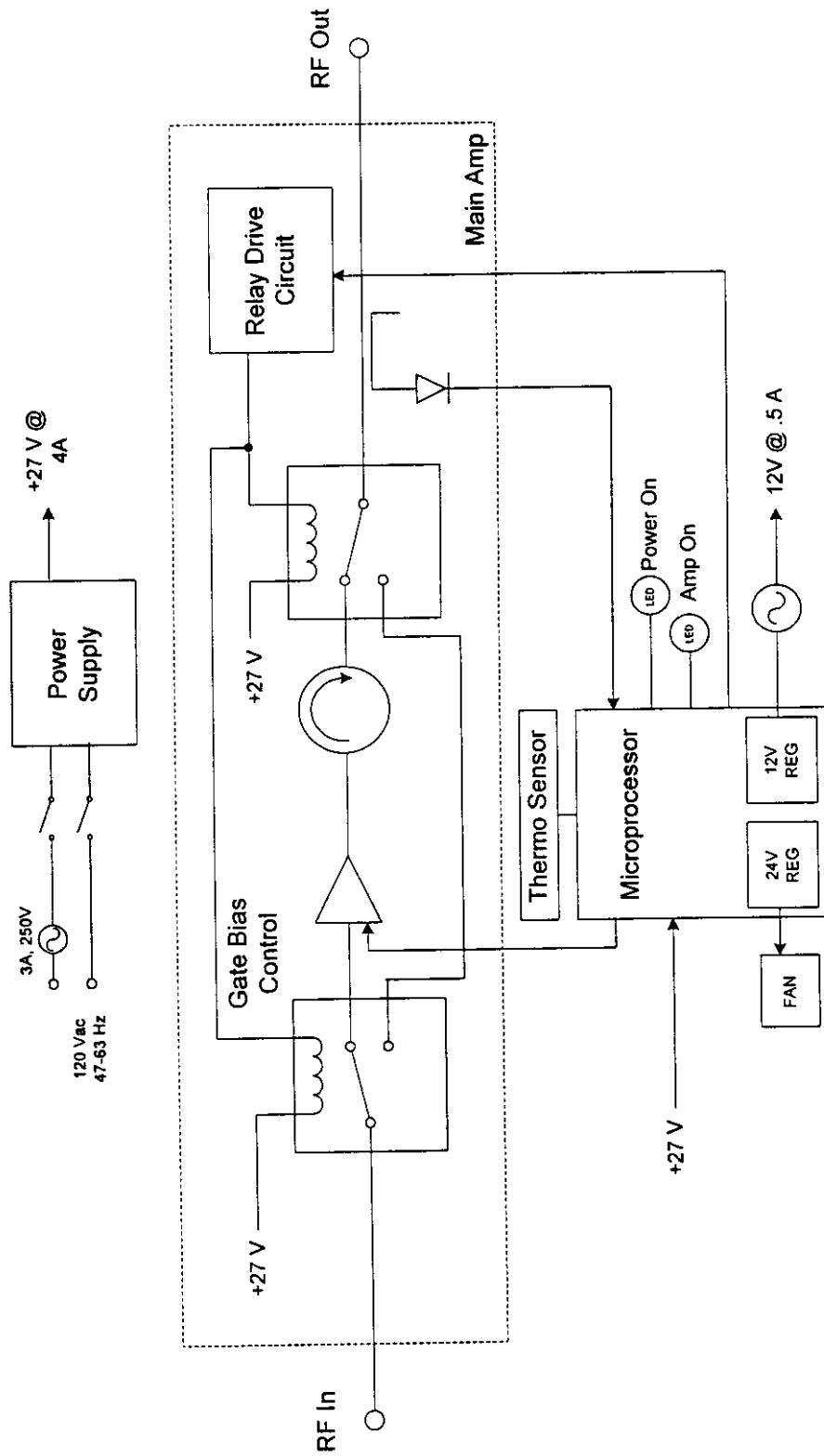


Figure 4-2. LDA9301-30 Amplifier Block Diagram