

Kathrein's omnidirectional antennas for wireless, paging, SMR and mobile applications are extremely robust, using the finest fiberglass, brass, and aluminum. Applicable mounting hardware is fabricated from stainless steel. Many models may be mounted inverted.

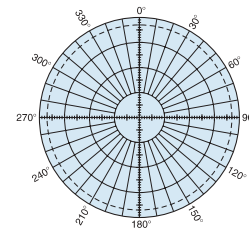
- Wireless
- Paging
- SMR
- Land Mobile
- ISM

**Specifications:**

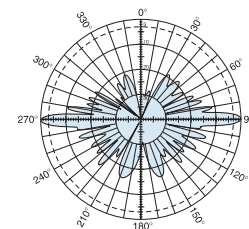
Frequency range	870–960 MHz
Gain	9 dBd
Impedance	50 ohms
VSWR	< 1.5:1
Intermodulation (2x20w)	IM3: -150dBc
Polarization	Vertical
Maximum input power	500 watts (at 50°C)
H-plane beamwidth	Omni
E-plane beamwidth	7 degrees (half-power)
Connector	N or 7/16 DIN female
Weight	17.5 lb (7.9 kg)
Height	128 inches (3265 mm)
Radome diameter	2 inches (51 mm)
Wind survival rating	120 mph (200 kph)
Equivalent flat plate area	1.96 ft <sup>2</sup> (0.182 m <sup>2</sup> )
Shipping dimensions	137 x 5.5 x 5.5 inches (3480 x 140 x 140 mm)
Shipping weight	35 lb (15.9 kg)
Mounting	For masts of 2 to 3.75 inch (50 to 94 mm) OD.

See reverse for order information.

\* Mechanical design is based on environmental conditions as stipulated in EIA-222-F (June 1996) and/or ETS 300 019-1-4 which include the static mechanical load imposed on an antenna by wind at maximum velocity. See the Engineering Section of the catalog for further details.



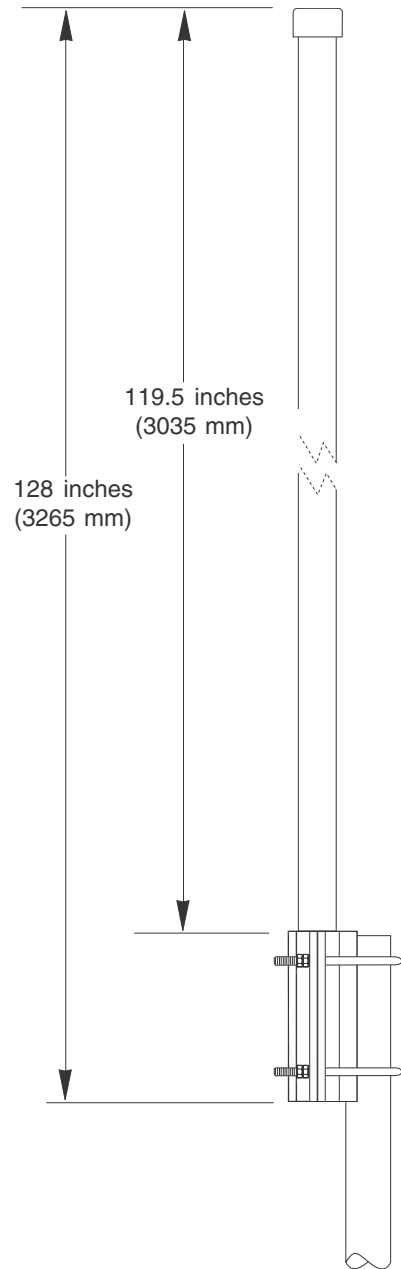
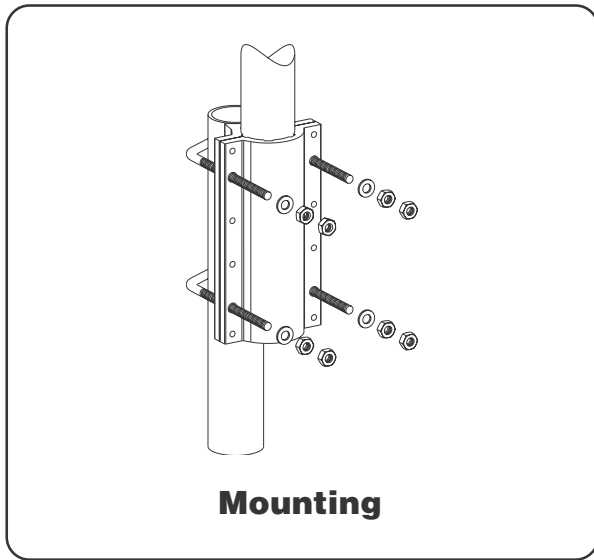
H-plane  
Horizontal pattern  
V-polarization



E-plane  
Vertical pattern  
V-polarization



10518-C



**Order Information:**

Model	Description
OGB9-915N	Antenna with N connector
OGB9-915D	Antenna with 7/16 DIN connector
OGB9-915NU	Antenna with N connector For inverted installation
OGB9-915DU 736-348	Antenna with 7/16 DIN connector For inverted installation

All specifications are subject to change without notice