


LABEL INFORMATION TO BE AFFIXED TO THE REAR PLATE OF THE ENCLOSURE

EL705 OEM SERIES RADIO

PRIMARY POWER: 10 – 30VDC Nominal + 13.8VDC 1.0A
OPERATING TEMP.: – 30 to +60 C CMI: 2001FJ0043
CONTAINS RADIO TRANSCEIVER MODULE

FCC ID: E5MDS-EL705-9 CANADA: XXXXXXXXXX
This device complies with Parts 15, and 101 of the FCC rules.

US  Certified
C


CONFIG: EL7059A101AFT2N 900MHZ SERIES
JOB: 50000
MADE IN U.S.A. REV: xx
ROCHESTER, NEW YORK
MICROWAVE DATA SYS. SN# 999999 DEV: 980000

This device complies with Part 15 of the FCC rules. Operation is subject to the following two conditions: (1) this device may not cause harmful interference, and (2) this device must accept any interference received, including interference that may cause undesired operation.

LABEL INFORMATION TO BE AFFIXED TO THE TOP COVER OF THE RADIO TRANSCEIVER MODULE

EL705 OEM SERIES RADIO

FCC ID: E5MDS-EL705-9 CANADA: XXXXXXXXXX
This device complies with Parts 15, and 101 of the FCC rules.

US  Certified
C

CONFIG: EL7059A101AFT2N 900MHZ SERIES
JOB: 50000
MADE IN U.S.A. REV: xx
ROCHESTER, NEW YORK
MICROWAVE DATA SYS. SN# 999999 DEV: 980000

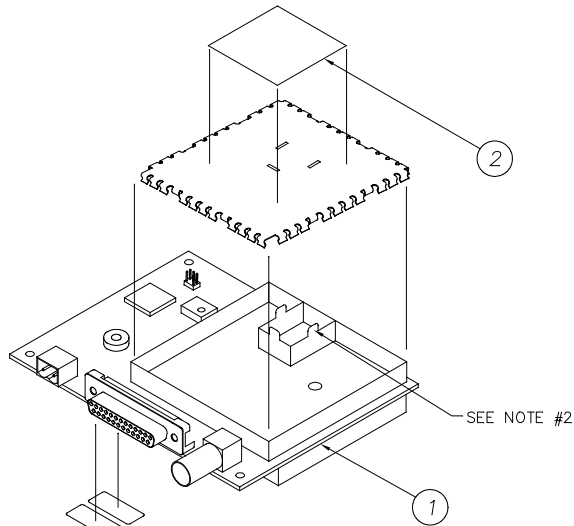
This device complies with Part 15 of the FCC rules.
Operation is subject to the following two conditions: (1) this device may not cause harmful interference, and (2) this device must accept any interference received, including interference that may cause undesired operation.

NOTES: UNLESS OTHERWISE SPECIFIED.

- ADHERE SERIAL NO. & REV. LABELS TO BOTTOM SIDE.
- TWIST SHIELD TABS TO LOCK SHIELD COVER AFTER TEST.

FACTORY DEFAULT SETTINGS

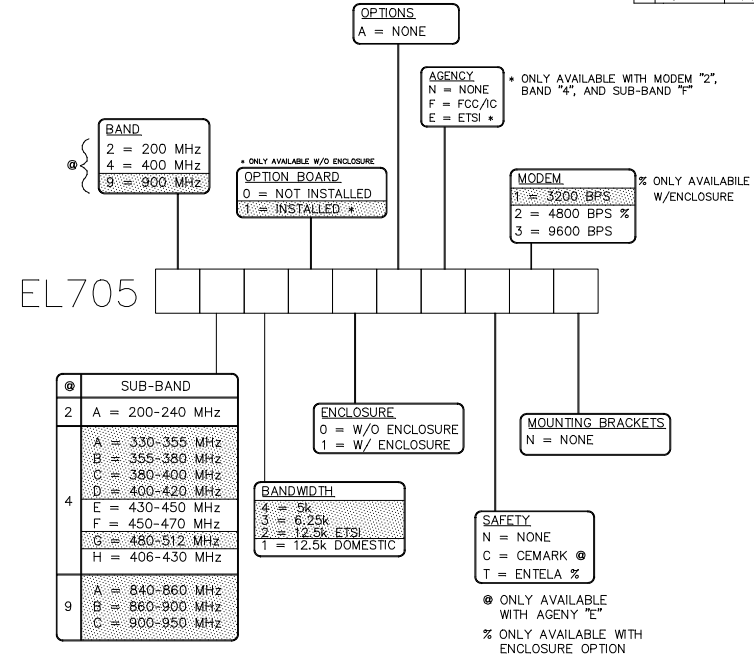
SETTING	SELECTION	DEFAULTS
SERIAL NUMBER	00000001 THRU 99999999	NOT PROGRAMMED
ADDRESS	1 THRU 255 OR NONE	NONE
BAUD RATE	1200 / 2400 / 4800 / 9600 / 19200 / 38400	9600
DATA FORMAT	XYZ, where: X: 7 OR 8 Y: None, O=odd, E=even Z: 1 or 2 (UNSUPPORTED VALUES: 7N1, 8O2, 8E2)	8N1 8 DATA BITS, NO PARITY, 1 STOP BIT
DEVICE BEHAVIOR	"DCE" / "CTS KEY"	DCE
POWER OUTPUT	L, M, H (1, 1, 2 Watt)	H (2 watt)
RTS/CTS DELAY	0 THRU 255 msec	0 msec
TIMEOUT TIMER	1 THRU 255 sec, ON or OFF	30 sec (ON)
OWNER'S MESSAGE	30 CHARACTERS	"BLANK"
OWNER'S NAME	30 CHARACTERS	"BLANK"



SEE NOTE #1

WITHOUT ENCLOSURE OPTION

REV	DESCRIPTION	DRW/DATE	ENG/DATE	MFG/DATE
03	REV #0000236	MR 8/1/00	MR 10/12/00	MM 10/12/00
A	REV #000014	MR 11/8/00	SLK 11/8/00	MM 11/8/00
B	REV #000002	MR 11/15/00	DMR 10/27/00	MM 11/28/00
C	REV #000010	MR 12/15/00	MR 12/14/00	MM 12/16/00
D	REV #000004	MR 1/8/00	SLK 1/8/00	MM 1/8/01
E	REV #000003	MR 1/23/01	DMR 1/23/01	MM 1/23/01
F	REV #000009	MR 1/20/01	MR 3/1/01	MM 3/1/01
G	REV #000011	MR 2/2/01	MR 3/2/01	MM 3/2/01
H	REV #000018	MR 3/26/01	DMR 3/26/01	MM 3/26/01
I	REV #000022	MR 6/15/01	DMR 6/15/01	MM 6/15/01



B	D	1	REV	STATUS
4	3	2	1	SM

FILE: TRANSCEIVER, EL705 OEM SERIES RADIO

MDS Microwave Data Systems Inc. 10 Slocum Valley Rd. HEBI, NY USA

NOTICE TO ALL PERSONS RECEIVING THIS DRAWING: This drawing is only conditionally loaned, and neither model nor permission, thermal copies or transmits any right to, or license to use, the subject matter of the drawing or any design or technical information shown therein, nor any right to reproduce this drawing or any part thereof, except for reproduction by owners for INFORMATION DATA SYSTEMS INC. use for manufacturing under the company's written license, nor right to reproduce this drawing in printed or other form without agreement with or written permission from the corporation.

APPROVALS: HORST-KOTTER 7/7/00
 D. RUSS 7/7/00
 M. McLAUGHLIN 7/7/00

DATE: 7/7/00

DESIGNER: M. McLAUGHLIN

DATE: 7/7/00

REV: 1

OF: 4

DR-EL705