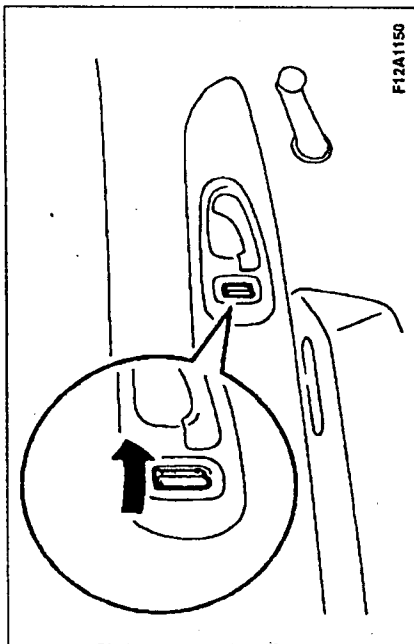


Div:
Out put date: March 8, 1999

Locking and unlocking

To lock the door from inside



Move the lock knob to the lock position to lock the door.

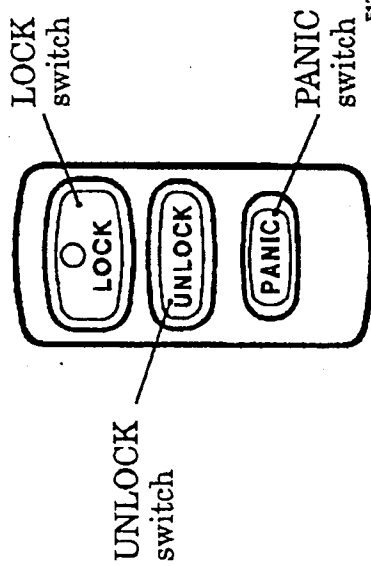
All doors should be kept locked while driving. The locked front driver's side door can be opened by pulling its inside door handle without unlocking the lock knob.

⚠ CAUTION

- (1) Make sure the doors are closed; driving with doors not completely closed is very dangerous.
- (2) Never leave a child in the vehicle unattended.

Keyless entry system (if so equipped)

NE51C-V



Use the remote control switch to lock or unlock the doors. It can also help you signal for attention by using the panic alarm.

Locking and unlocking

To lock

Press the LOCK switch, and all doors and liftgate will be locked. When they are locked with the dome light at the (DOOR) position, the dome light blinks twice. All turn signal lights also blink twice and the horn sounds once.

To unlock

Pressing the UNLOCK switch once will unlock the driver's door only. Press the UNLOCK switch one more time, and all doors and the liftgate will be unlocked. When the driver's door only or all doors and liftgate are unlocked with the dome light at the (DOOR) position, the dome light will be turned on for 15 seconds. All turn signal lights also blink once.

Confirmation function

The confirmation functions provided by the horn and turn signal lights after operation of the keyless entry system can each be deactivated or reactivated as desired. The deactivation/reactivation procedures must be performed with the key removed from the ignition switch. At the end of each procedure, a buzzer sounds once if the function has been reactivated or twice if the function has been deactivated.

Horn deactivation/reactivation

1. Press the LOCK switch for 4 to 10 seconds and press the UNLOCK switch within this period.
2. Release the LOCK and UNLOCK switches simultaneously.

Turn signal light deactivation/reactivation

The confirmation function provided by the turn signal lights when the doors are locked and the confirmation function provided when they are unlocked can be deactivated/reactivated separately.

1. Press the UNLOCK switch for 4 to 10 seconds and press the LOCK switch within this period.
2. To deactivate/reactivate the function provided when the doors are locked, release the LOCK switch and then release the UNLOCK switch.
3. To deactivate/reactivate the function provided when the doors are unlocked, release the UNLOCK switch and then release the LOCK switch.

Locking and unlocking

Using the panic alarm (if so equipped)

If you are near your vehicle and feel threatened, you may activate the alarm to call attention as follows:

1. Press the PANIC switch.
2. The headlights will blink on and off and the horn will sound intermittently for about 3 minutes.
3. To turn off the alarm, press any switch on the remote control switch.

NOTE

- (1) The keyless entry system does not operate if the ignition key is in the key cylinder.
- (2) The remote control switch will operate within about 13 feet (4m) from the vehicle. However, the operating range of the remote control switch may change if the vehicle is located near a TV transmitting tower, power station, or radio broadcasting station.
- (3) If the UNLOCK switch is pressed when all doors and the liftgate are closed and no door is opened within approximately 30 seconds, re-locking will automatically occur.
- (4) If the following conditions are observed after pressing the remote control switch, the battery in the remote control switch may need to be replaced.
 - The doors cannot be locked or unlocked.
 - The panic alarm cannot be operated.
- (5) Do not leave the remote control switch where it

may be exposed to heat caused by the direct rays of the sun.

- (6) If your remote control switch is lost, please contact an authorized Mitsubishi dealer for a replacement remote control switch.

CAUTION

The remote control switch is a precision electronic device. Therefore:

- Avoid impact to the remote control switch.
- Keep the remote control switch dry.
- Do not disassemble the remote control switch.

- (7) Your keyless entry system operates on a radio frequency subject to Federal Communications Commission (FCC) Rules. This device complies with Part 15 of the FCC Rules. Operation is subject to the following two conditions.

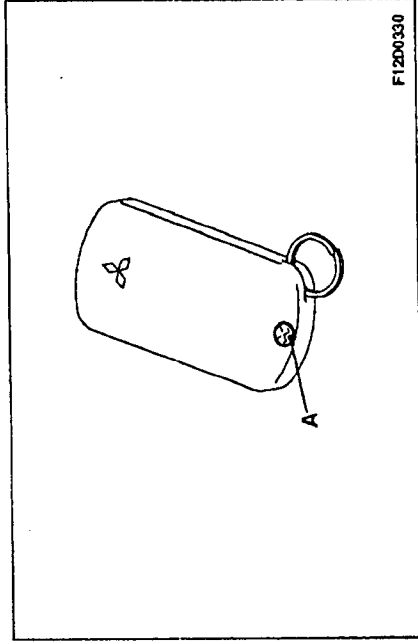
- This device may not cause harmful interference.
- This device must accept any interference, including interference that may cause undesired operation.

CAUTION

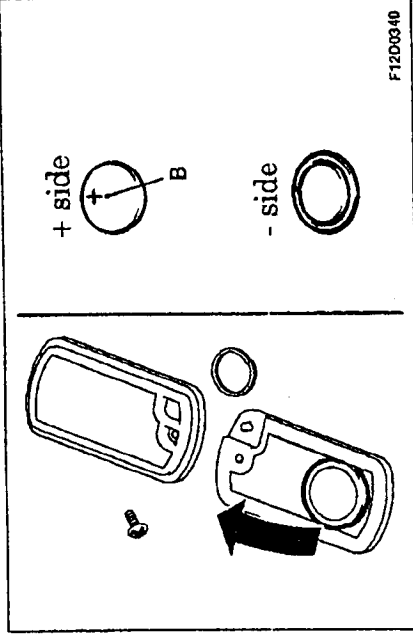
Changes or modifications not expressly approved by the manufacturer for compliance could void the user's authority to operate the equipment.

Locking and unlocking

Procedure for replacing remote control switch battery



1. Remove the remote control switch case mounting screw (A) and open the case.



2. Remove the discharged battery.
3. Install a new battery with its position + side (B) down.

Coin type battery CR2032

4. Tighten the screw and close the remote control switch case firmly.
5. Check the keyless entry system for operation.

Div:
Out put date: March 8, 1999

1

Locking and unlocking

Power door locks Locking and unlocking by means of cen- ter door lock switch

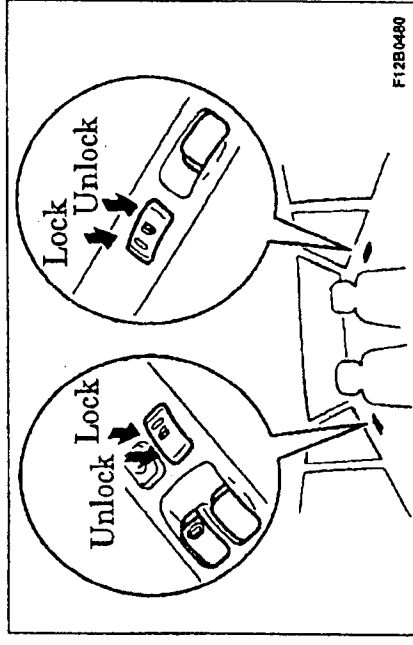
NES2A-XD

NOTE

- (1) You may purchase a battery at an electric appliances store.
- (2) Your authorized Mitsubishi dealer can replace the battery for you if necessary.

CAUTION

When the remote control switch is opened, be careful to keep water, dust, etc. out. In addition, do not touch the internal components.



F12E0490

All of the doors and liftgate can be locked or unlocked by pressing the power door lock switch on the driver's or the front passenger's door.

T