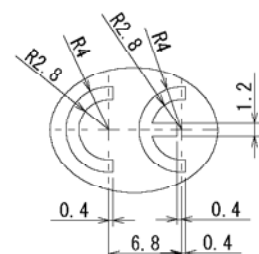


A (2 : 1)

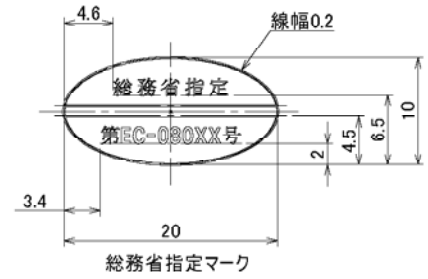
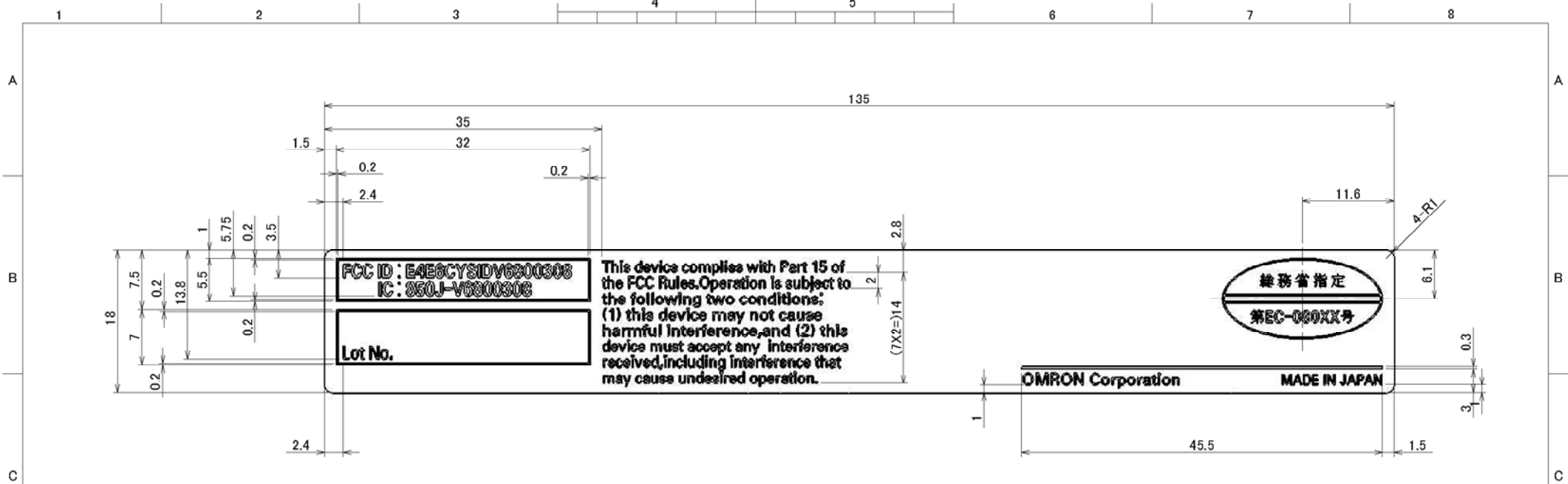


B (2 : 1)

[UNI: mm]

DIMENSION (mm)	T T14
0 < X ≤ 3	±0.125
3 < X ≤ 6	±0.150
6 < X ≤ 10	±0.180
10 < X ≤ 18	±0.215
18 < X ≤ 30	±0.260
30 < X ≤ 50	±0.310
50 < X ≤ 80	±0.370
80 < X ≤ 120	±0.435
120 < X ≤ 180	±0.500
180 < X ≤ 250	±0.575
250 < X ≤ 315	±0.650

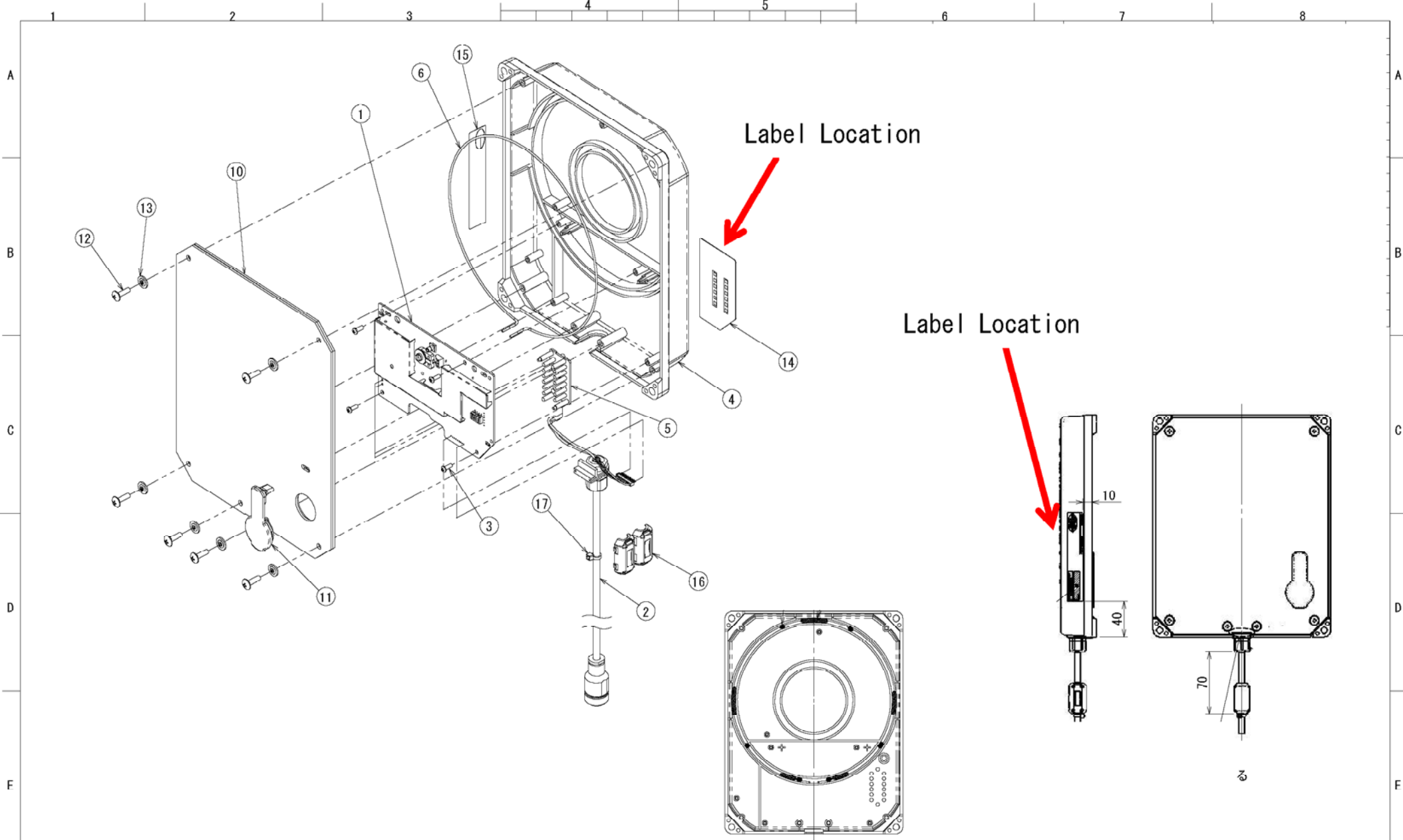
					MATERIAL	T0.188 PETP CLR			SCALE	マイハン
					FINISH				1:1	NAME PLATE
					TOLERANCES UNLESS SPECIFIED	DESIGNED	CHECKED	APPROVED	3RD ANGLE	DRWG NO.
					IT14	08/07/23				2204637-8 A
						AYX			SHEET	
						TARIYOSHI			1/1	DESIGNED FOR
										V680-H01-V2



[UNIT: mm]

DIMENSION (mm)	T T T 4
0 < X ≤ 3	±0.125
3 < X ≤ 6	±0.150
6 < X ≤ 10	±0.180
10 < X ≤ 18	±0.215
18 < X ≤ 30	±0.260
30 < X ≤ 50	±0.310
50 < X ≤ 80	±0.370
80 < X ≤ 120	±0.435
120 < X ≤ 160	±0.500

					MATERIAL T0.1 PET WHT			SCALE 2:1		ラベル LABEL	
					FINISH			3RD ANGLE		DRWG NO. 2204251-8 A	
					TOLERANCES UNLESS SPECIFIED			DESIGNED 08/09/01		SHEET 1/1	
					IT14			CHECKED		DESIGNED FOR V680-H01-V2	
					SIGN			APPROVED			
SYM	DATE	E/C CONTENTS	E/C NO.	SIGN				AYX			
					T ARIYOSHI						



[UNIT : mm]

					MATERIAL				
					FINISH				
					TOLERANCES UNLESS SPECIFIED	DESIGNED 08/09/01	CHECKED	APPROVED	
					IT16	AYX			
SYM	DATE	E/C CONTENTS	E/C NO.	SIGN	TARIYOSHI				

SCALE	ケミナス		
	ASSY DRWG		
3RD ANGLE	DRWG NO.	3712686-6	A
SHEET 1/2	DESIGNED FOR	V680-H01-V2	