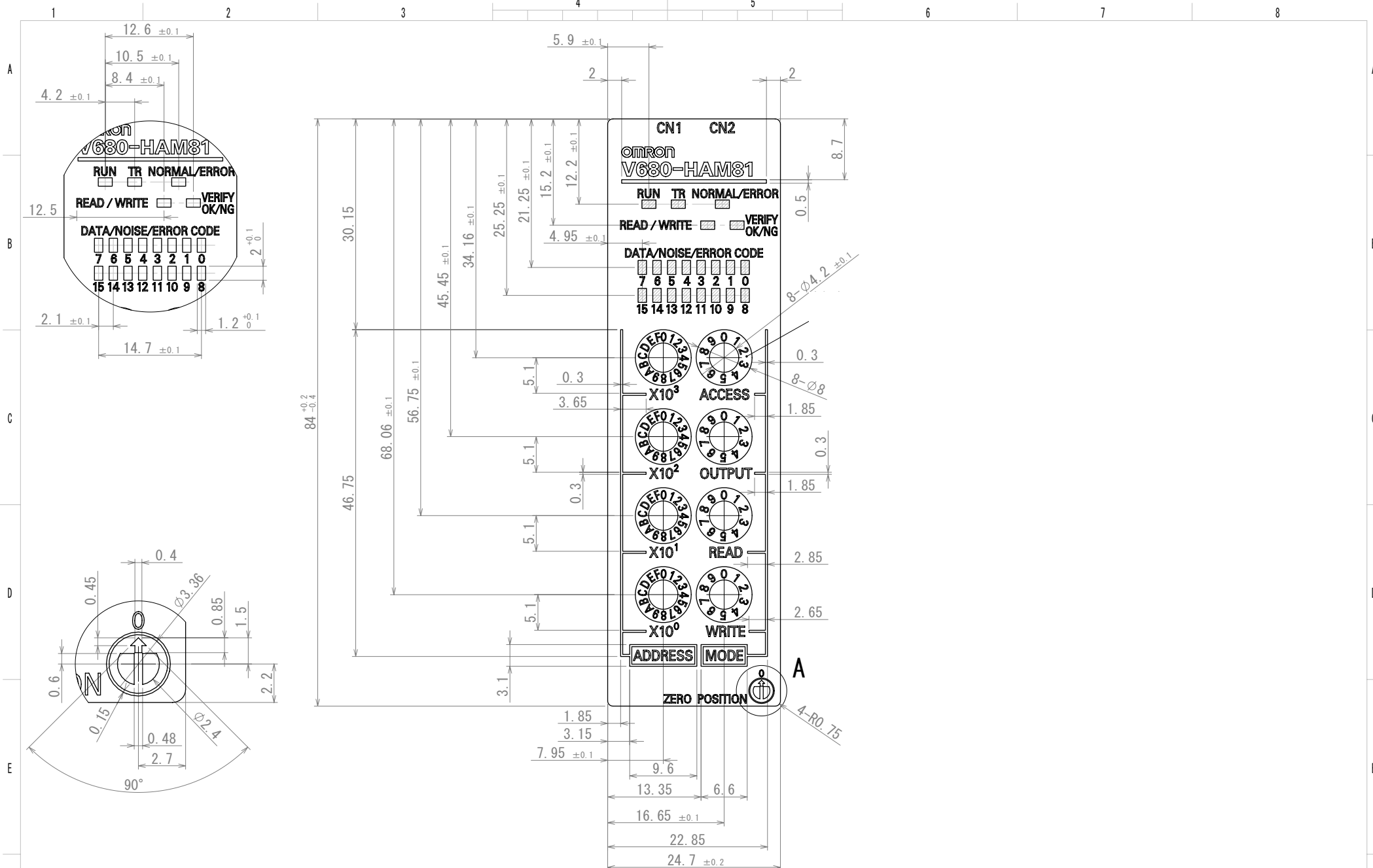


[UNIT: mm]

DIMENSION (mm)	IT14
0 < X ≤ 3	±0.125
3 < X ≤ 6	±0.150
6 < X ≤ 10	±0.180
10 < X ≤ 18	±0.215
18 < X ≤ 30	±0.260
30 < X ≤ 50	±0.310
50 < X ≤ 80	±0.370
80 < X ≤ 120	±0.435

					MATERIAL	t O. 05 PET WHT			SCALE	ラベル(2)
					FINISH	注1, 注2			2:1	
					TOLERANCES UNLESS SPECIFIED	DESIGNED	CHECKED	APPROVED		LABEL(2)
					IT14	07/12/21				DRWG NO.
					SYM	DATE	E/C CONTENTS	E/C NO.	SIGN	3712334-4 A
						T. KITAGAEA				SHEET 1/1
										DESIGNED FOR V680-HAM91

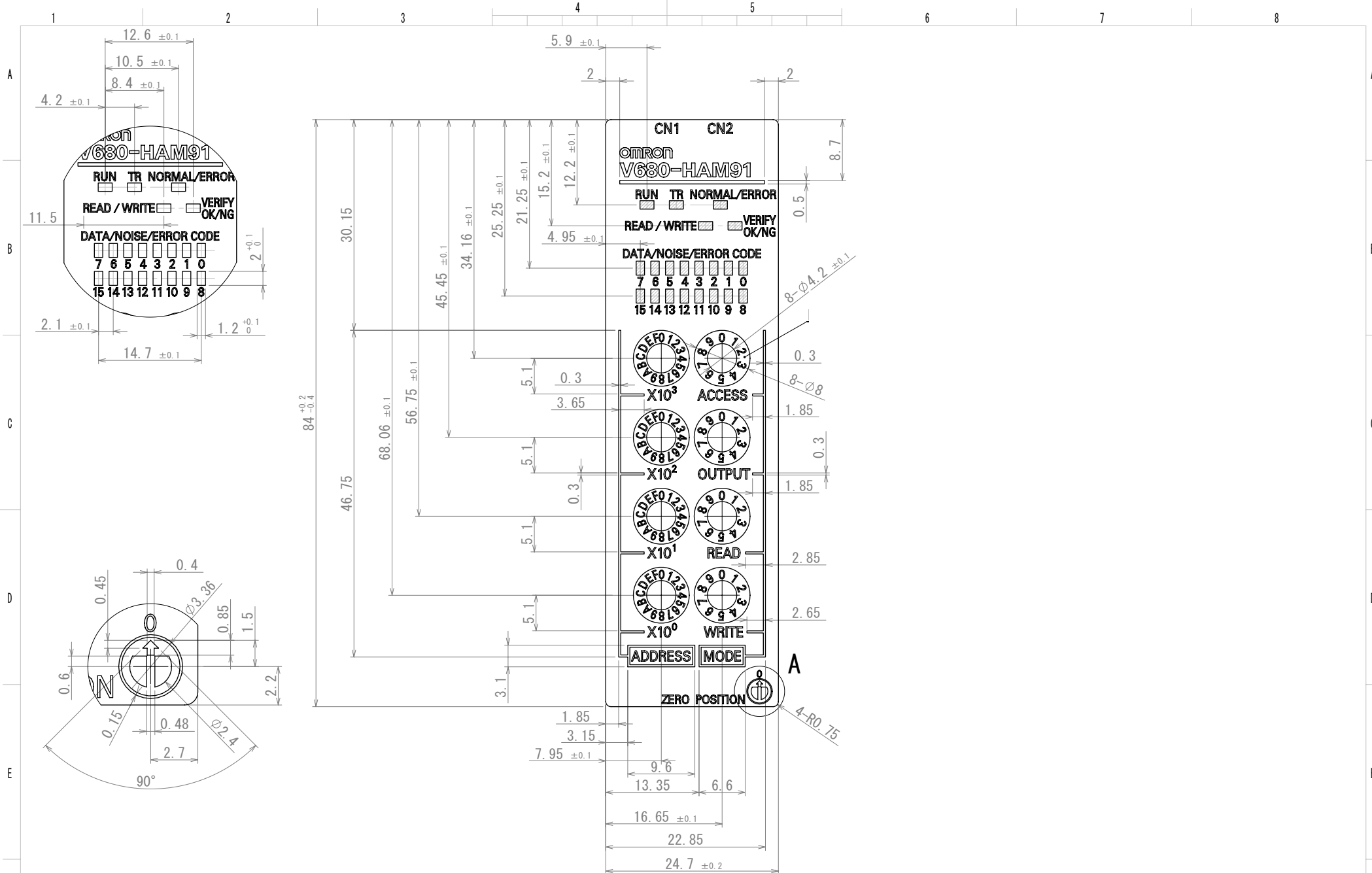


[UNIT: mm]

DIMENSION (mm)	IT14
0 < X ≤ 3	±0.125
3 < X ≤ 6	±0.150
6 < X ≤ 10	±0.180
10 < X ≤ 18	±0.215
18 < X ≤ 30	±0.260
30 < X ≤ 50	±0.310
50 < X ≤ 80	±0.370
80 < X ≤ 120	±0.435

SYM	DATE	E/C	CONTENTS	E/C NO.	SIGN	MATERIAL	注1	DESIGNED	CHECKED	APPROVED
						FINISH	注2	07/12/20		
						TOLERANCES UNLESS SPECIFIED		AYX		
						IT14		T. KITAGAWA		

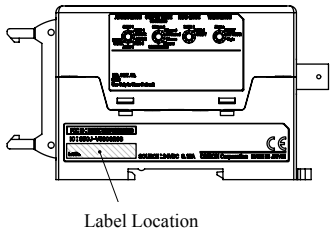
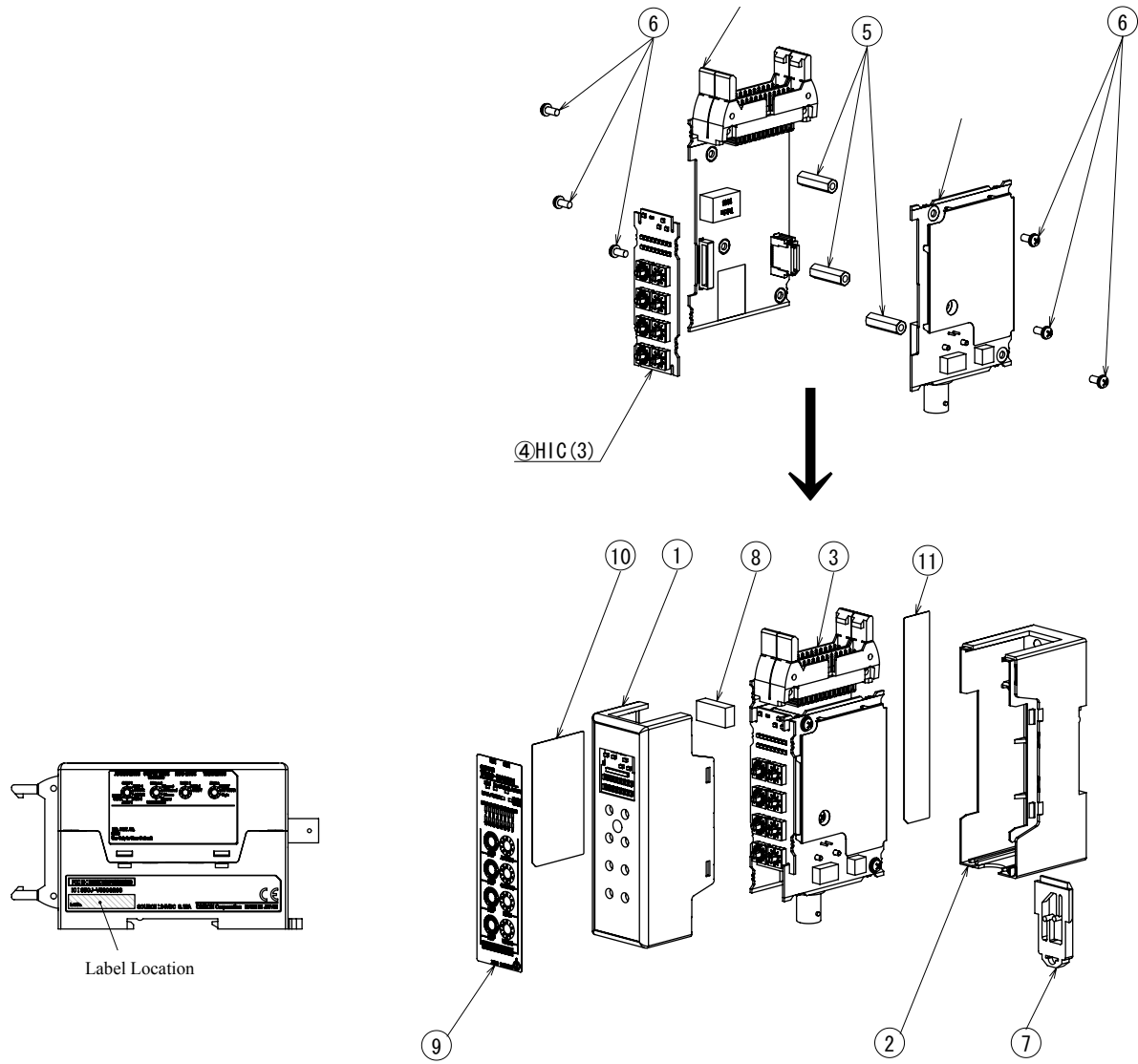
SCALE	2:1	NAME PLATE
3RD ANGLE		DRWG NO. 4000387-2 A
SHEET 1/1		DESIGNED FOR V680-HAM81



[UNIT: mm]

DIMENSION (mm)	IT14
0 < X ≤ 3	±0.125
3 < X ≤ 6	±0.150
6 < X ≤ 10	±0.180
10 < X ≤ 18	±0.215
18 < X ≤ 30	±0.260
30 < X ≤ 50	±0.310
50 < X ≤ 80	±0.370
80 < X ≤ 120	±0.435

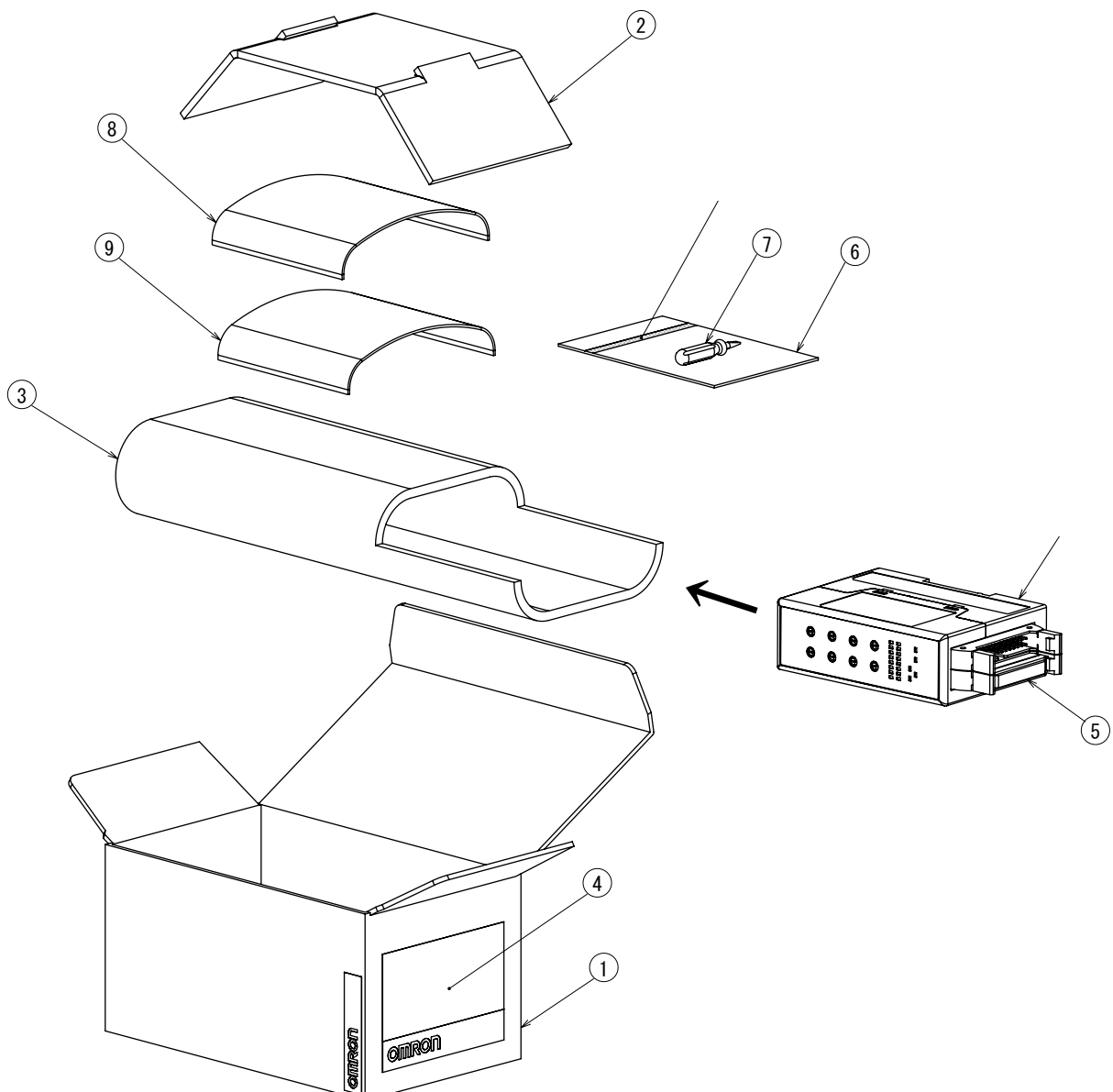
					MATERIAL	注1			SCALE	2:1	メイバン
					FINISH	注2					
					TOLERANCES UNLESS SPECIFIED	DESIGNED	CHECKED	APPROVED	3RD ANGLE	NAME PLATE	
						07/12/20			SHEET	DRWG NO.	9472877-5 A
					IT14	AYX			1/1	DESIGNED FOR	V680-HAM91
SYM	DATE	E/C CONTENTS	E/C NO.	SIGN	T. KITAGAWA						



UL
FCC
CE
関連規格

MATERIAL					SCALE
FINISH					
TOLERANCES UNLESS SPECIFIED					3RD ANGLE
DESIGNED 08/01/22					
AYX					SHEET 1/2
T. KITAGAWA					
SYN	DATE	E/C CONTENTS	E/C NO.	SIGN	DESIGNED FOR

クミタテス <sup>®</sup>
ASSEMBLY, DRWG
DRWG NO. 3712843-5 A
DESIGNED FOR V680-HAM91



					MATERIAL			SCALE	クミタテス <sup>®</sup>
					FINISH				
					TOLERANCES UNLESS SPECIFIED	DESIGNED 08/01/22 AYX	CHECKED	APPROVED	ASSEMBLY, DRWG
						T. KITAGAWA			DRWG NO. 3712843-5 A
SYM	DATE	E/C CONTENTS	E/C NO.	SIGN				SHEET 2/2	DESIGNED FOR V680-HAM91