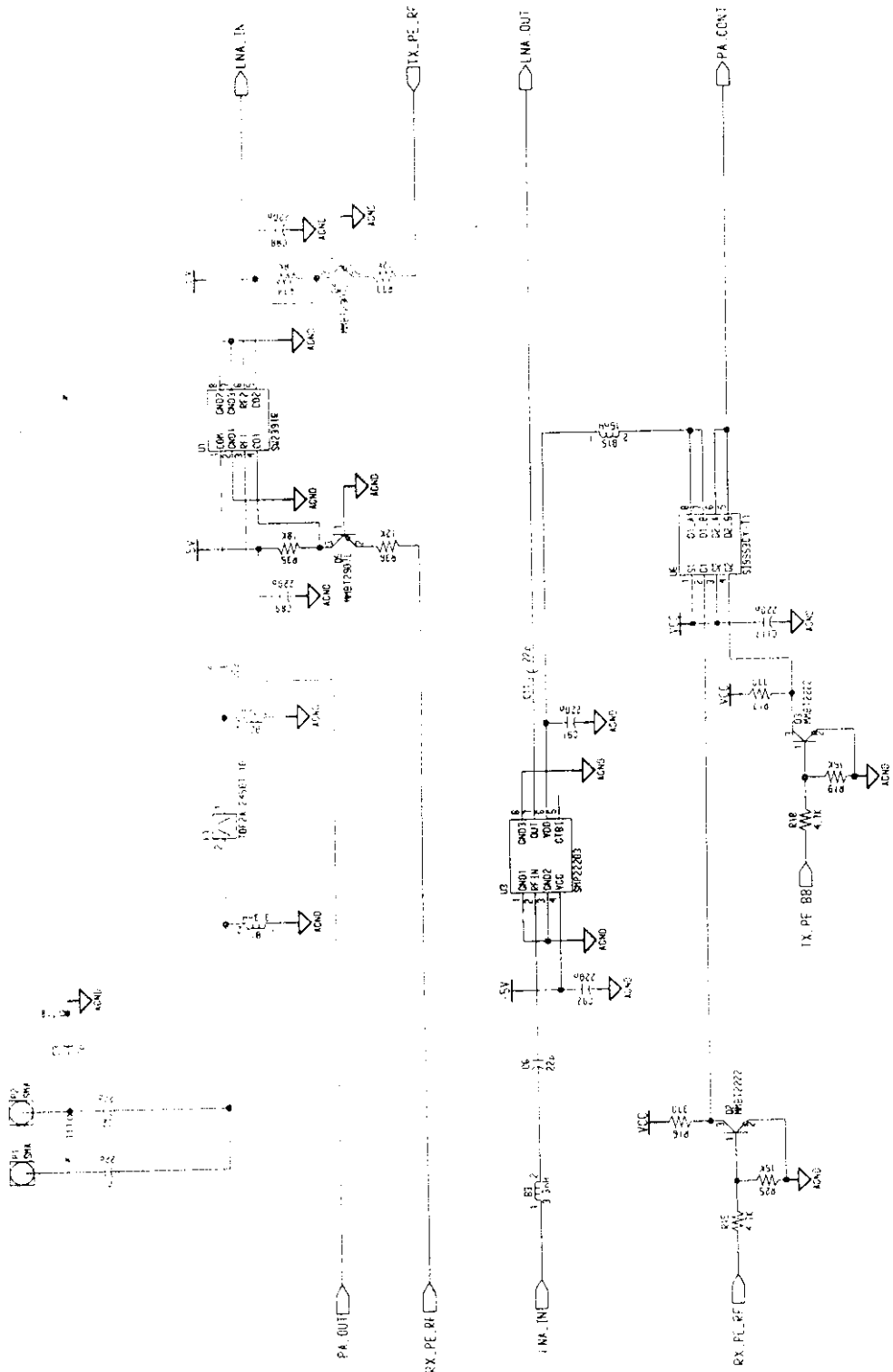


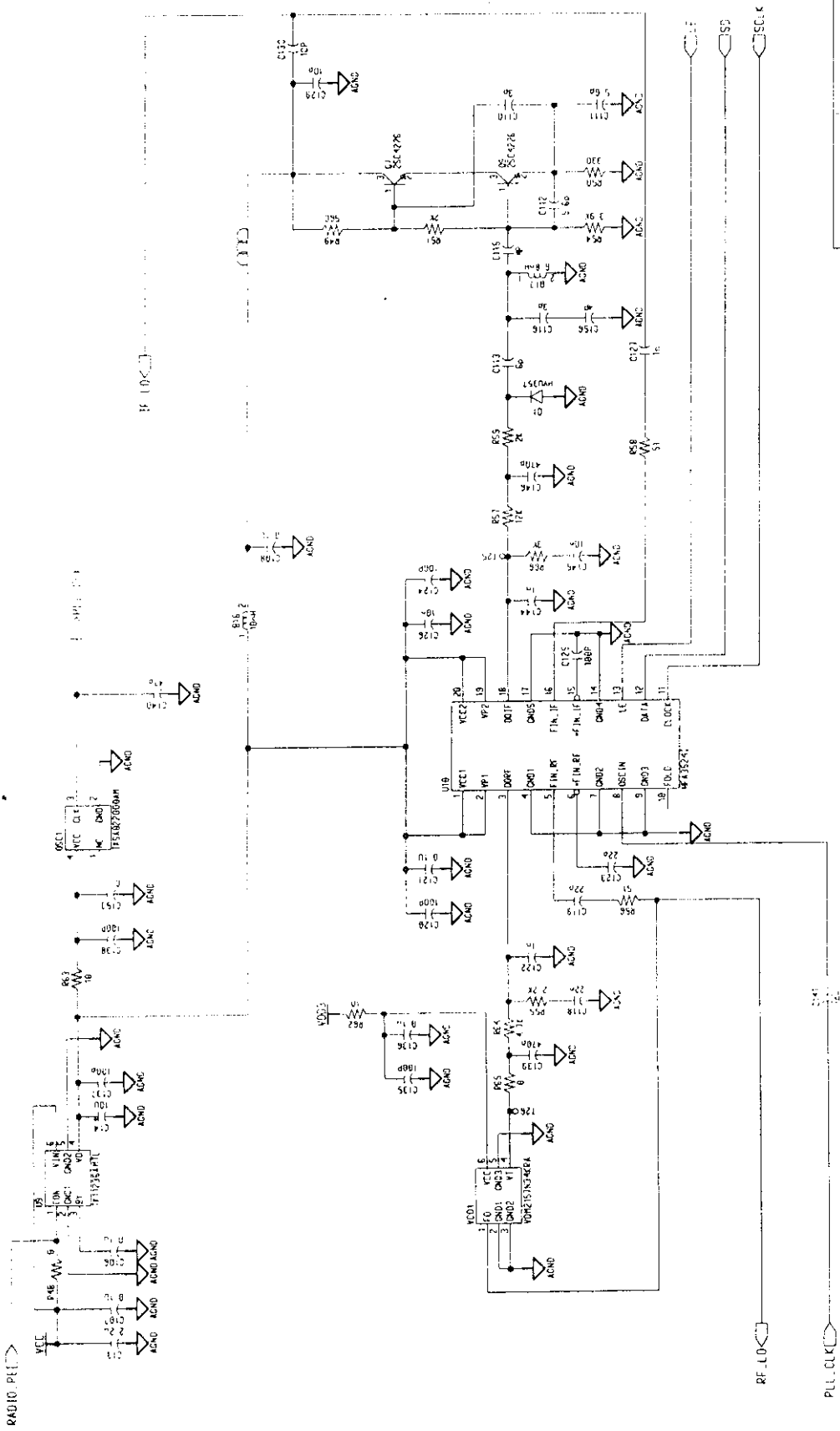
Figure 4.1

122 10 2X362 Rev



SCHEMATIC NAME		Megicheve (SW1300N)	
ROM NO	WCLN2003(S)	REV NO	MP 3 1
REV NO	MP 3 1	DATE	1997/07/15
DATE	1997/07/15	SHEET NO	1 OF 6

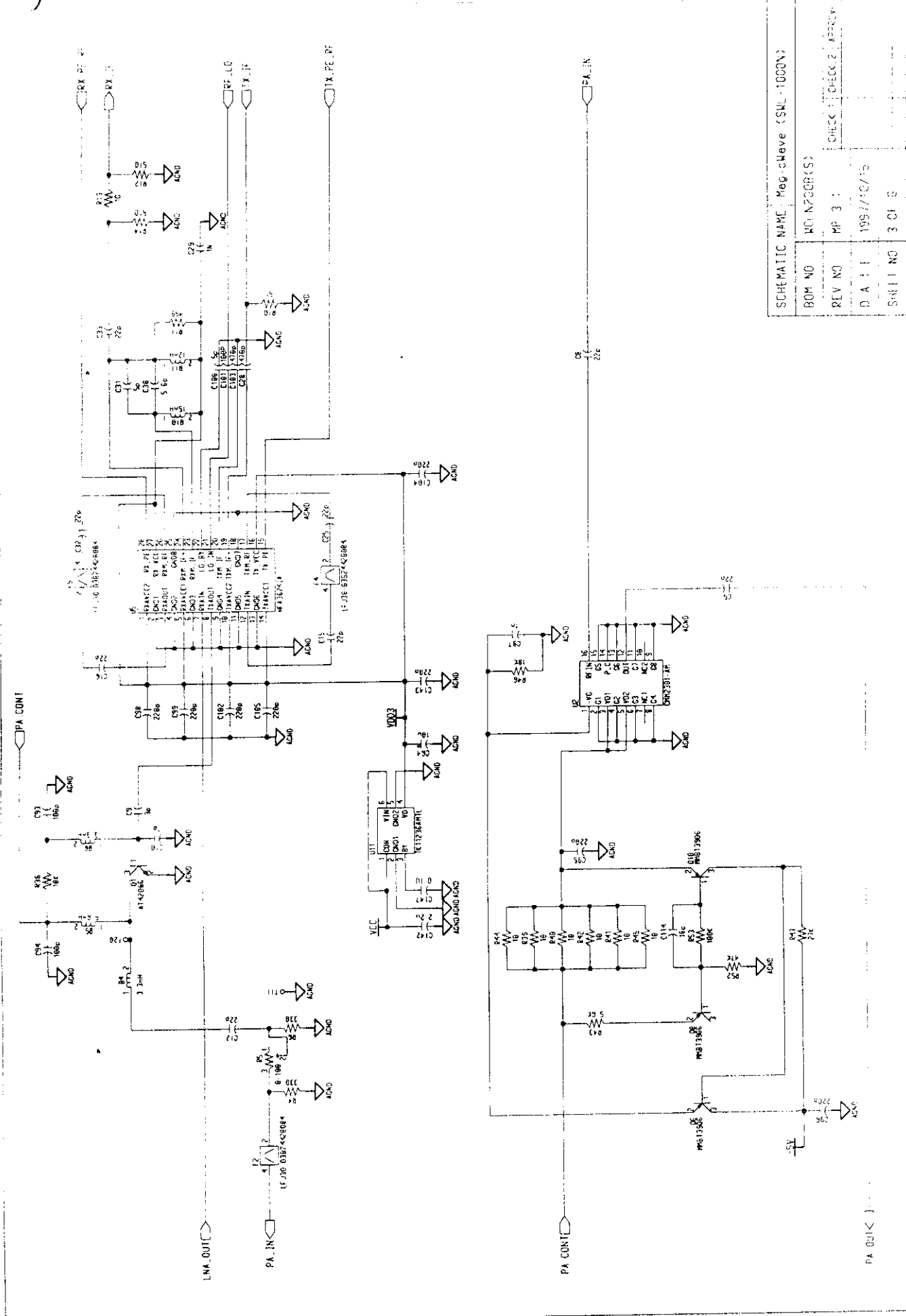
Figure 4.2



SCHMATIC NAME	Reg chève (SM - 000A)
BOM NO	NCLN200815
REV NO	mp 3
DRAWN	199/10/16
CHECKED	199/10/16

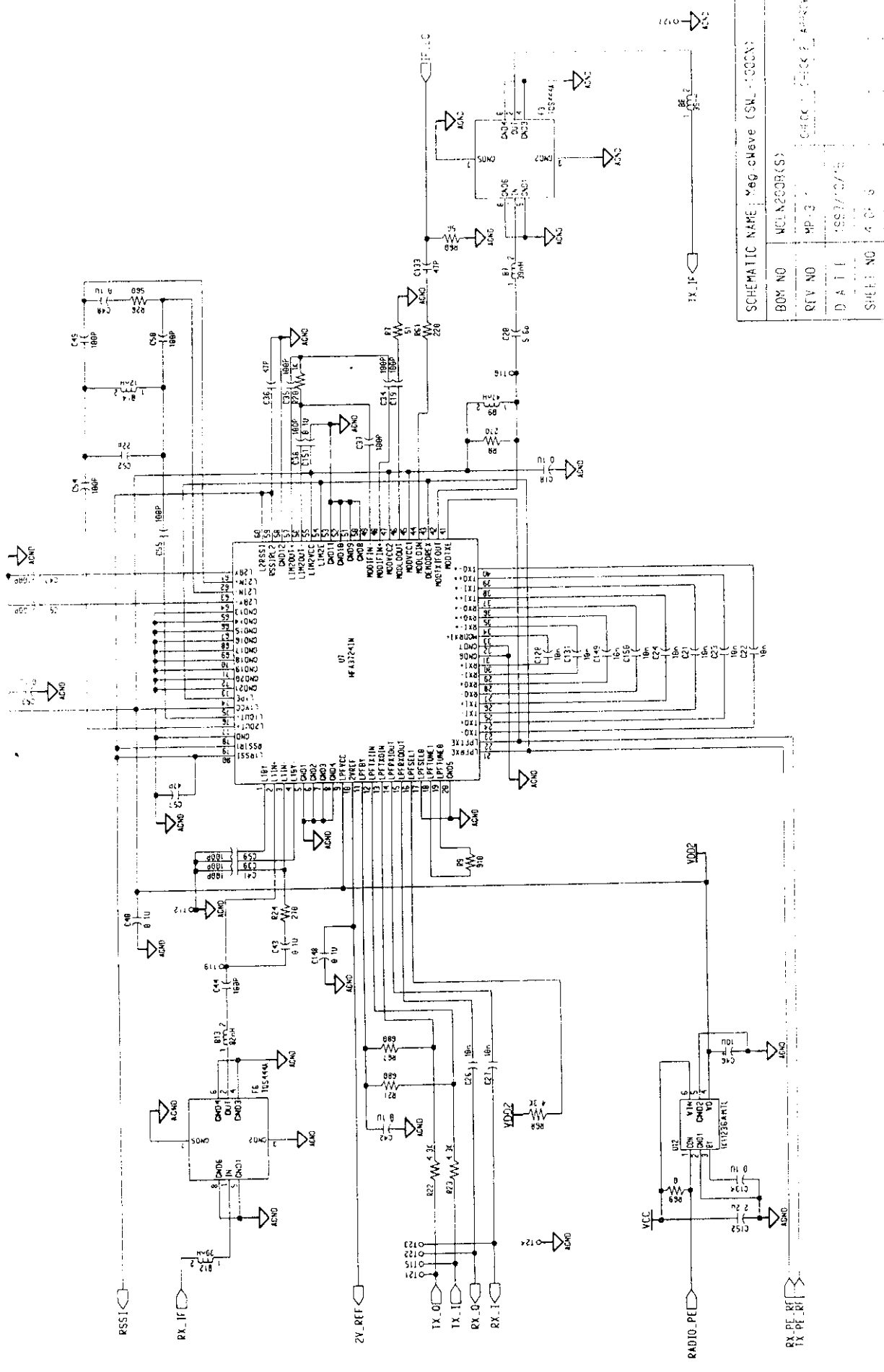
COM 270 00010002 12 010015 1

Figure 4.3

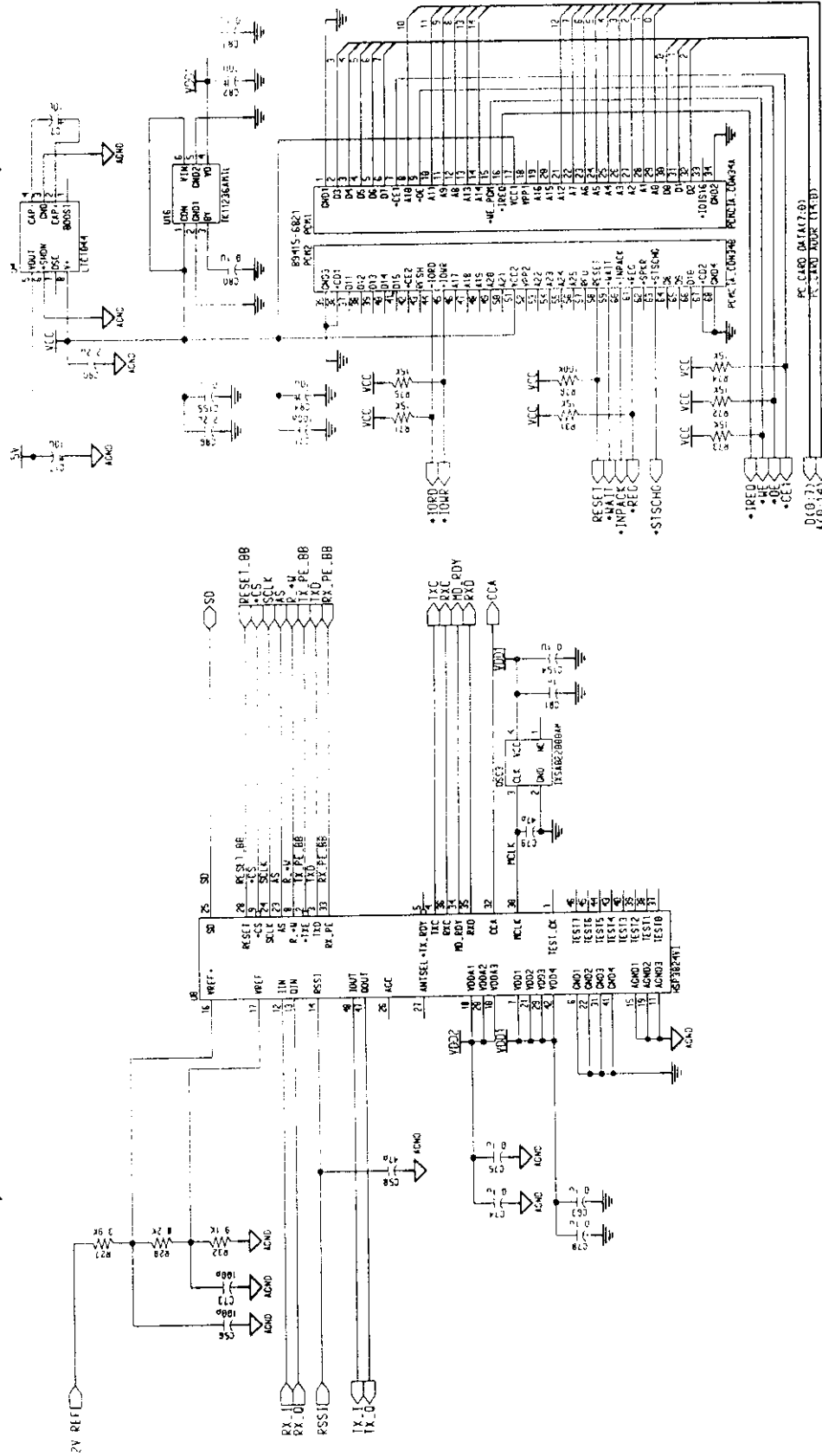


SCHEMATIC NAME: Meg-chieve (SNL-1000V)			
BOM NO	NO: N230RYS	CHECK 1	CHECK 2
REV NO	MP 3 1	1997/10/15	APPROV
D A I			
SHEET NO	3 OF 5		

PA CONT
 FOR 27C 01501992 12 01ARLY

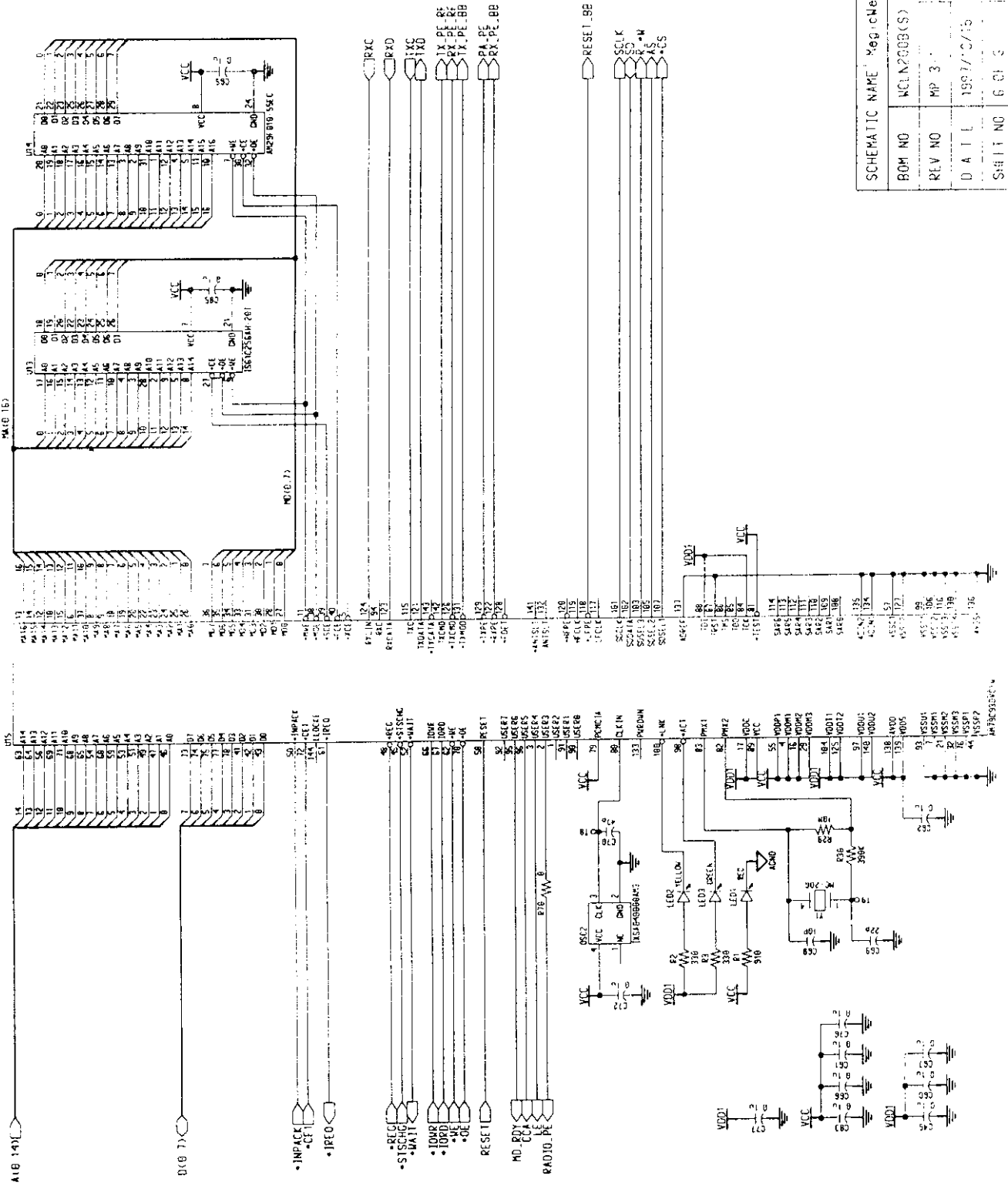


SCHEMATIC NAME: Veg cheve (SW-1000N)	
BOY NO	MCLN200R(S)
REV NO	MP.3
DATE	1997/10/15
SHEET NO	4 of 6



SCHEMATIC NAME		Meg-Chave (SN: 1550A)	
BOH NO	HCI N200R(S)		
REV NO	MP-3-1		CHECK CHECK P. APPROV.
D A T A	1997/10/15		
SHEET NO	5 OF 5		

1. ARIKAWA ELECTRONICS CO., LTD.



SCHEMATIC NAME: Regichecke (SM-1000A)				
BOM NO	NCLN2003(S)	REV NO	MP 3	CHECK: CHECK 2: APPROVED
DATE	1997/2/15	SHEET NO	6	OF 6

REV: 2003-01-15 09:02:12 01:01:01 V 1