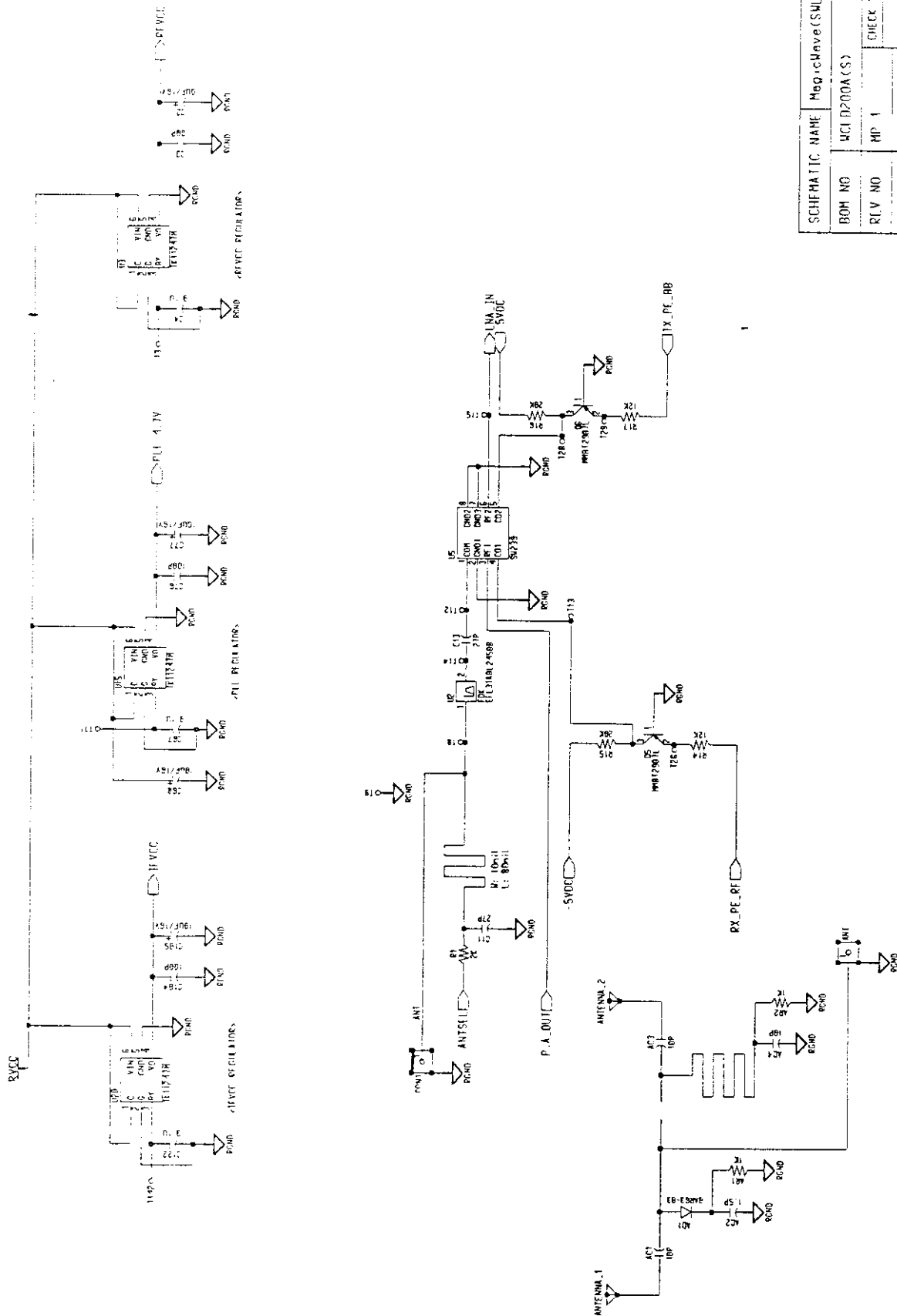
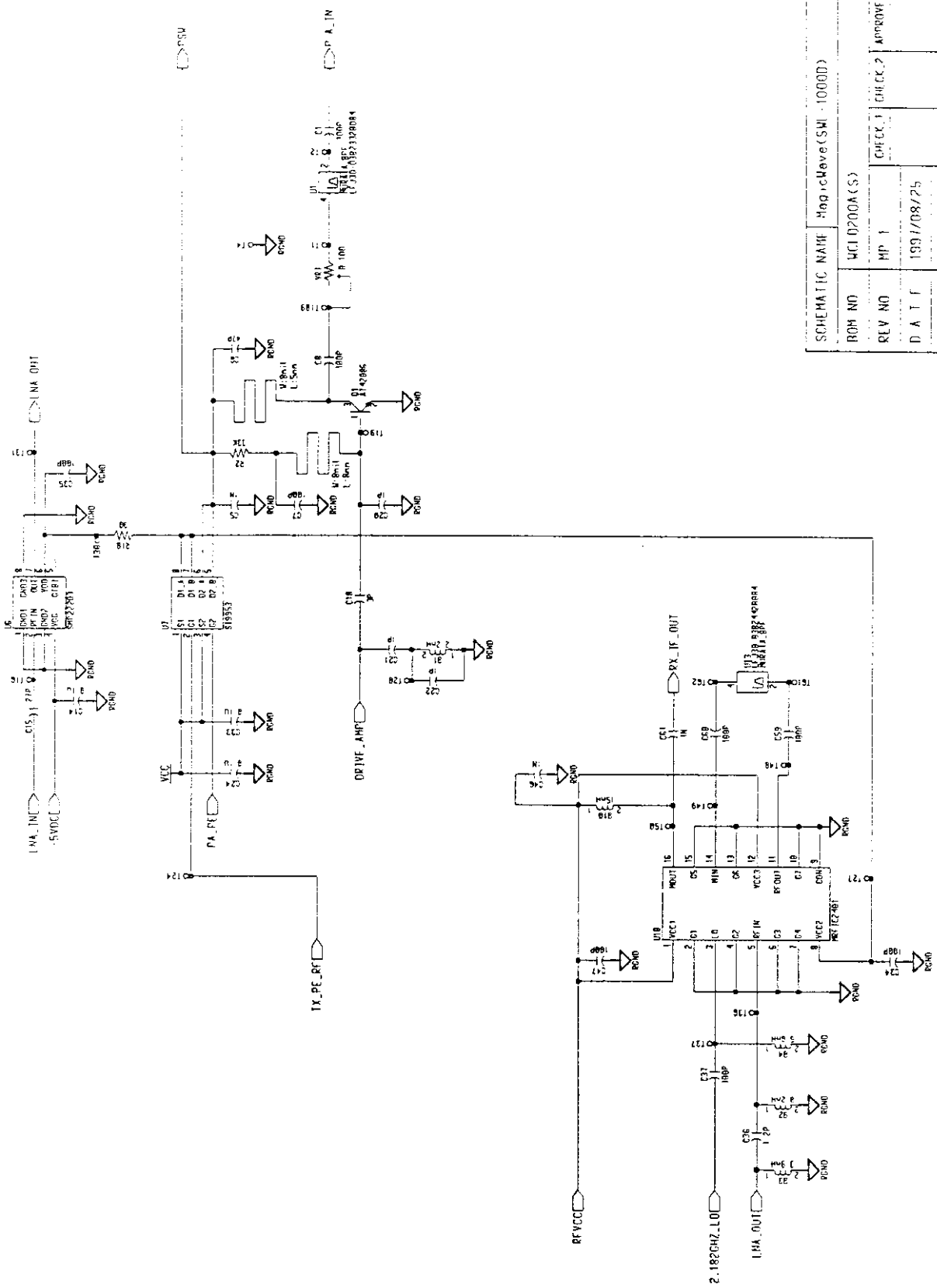


Block Diagram

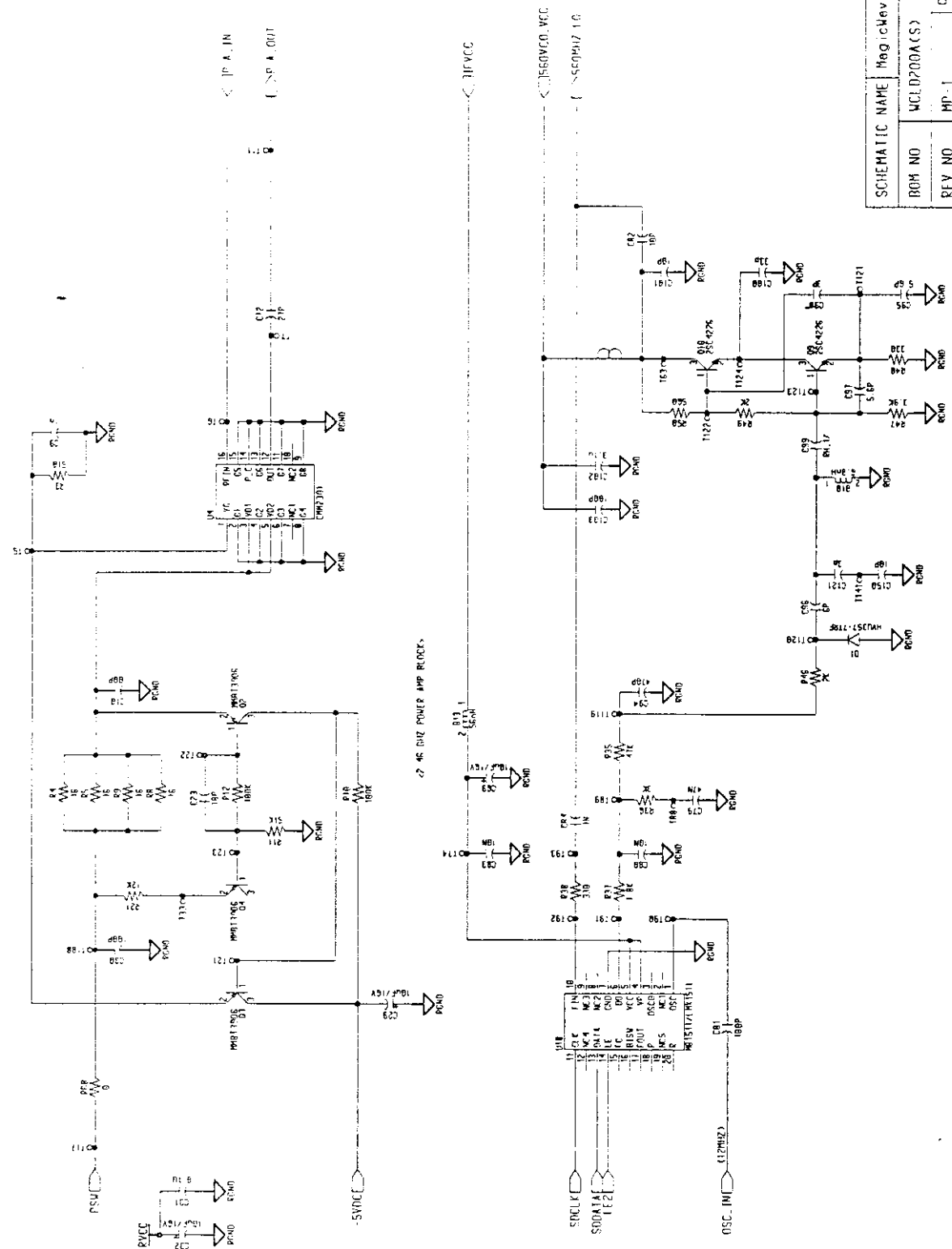


SCHEMATIC NAME		Meg:chve(SHL-1000D)	
BOM NO	WCI 0200A(S)	CHECK 1	CHECK 2
REV NO	MP 1	1997/08/25	APPROVE
DATE			
SHEET NO	1 OF 7		



SCHEMATIC NAME		HappicWave(SW - 1000D)	
BOH NO	WCI0200A(S)	CHECK 1	CHECK 2
REV NO	MP 1	DATE	APPROVE
DATE	1991/08/25		
SHEET NO	2 OF 1		

COM 22C-015(1992-12-01)REV 1



SCHEMATIC NAME		Magichave(SHL-10000)	
ROM NO	WCLD200A(S)	CHECK 1	CHECK 2
REV NO	HP-1	1997/08/25	APPROVE
D A T E	3 OF 7		
SHEET NO			

1 AXN(1)1992.12.01(X)

