

System Check_Body_2450MHz_121009

DUT: D2450V2-SN:736

Communication System: CW; Frequency: 2450 MHz; Duty Cycle: 1:1

Medium: MSL_2450_121009 Medium parameters used: $f = 2450$ MHz; $\sigma = 1.965$ mho/m; $\epsilon_r = 53.842$; ρ

$= 1000$ kg/m³

Ambient Temperature : 22.3 °C ; Liquid Temperature : 21.3 °C

DASY5 Configuration:

- Probe: EX3DV4 - SN3578; ConvF(6.43, 6.43, 6.43); Calibrated: 2012/6/21;
- Sensor-Surface: 4mm (Mechanical Surface Detection)
- Electronics: DAE4 Sn778; Calibrated: 2012/8/27
- Phantom: ELI 4.0_Front; Type: QDOVA001BB; Serial: 1026
- Measurement SW: DASY52, Version 52.8 (2); SEMCAD X Version 14.6.6 (6477)

Pin=250mW/Area Scan (91x91x1): Measurement grid: dx=10mm, dy=10mm

Maximum value of SAR (interpolated) = 15.1 mW/g

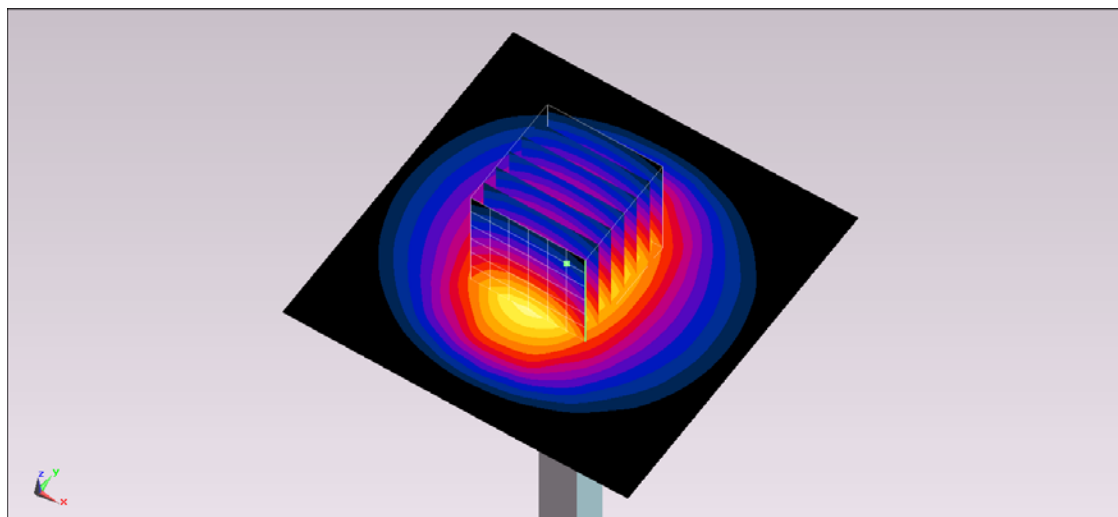
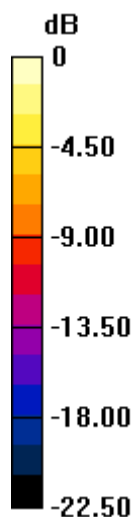
Pin=250mW/Zoom Scan (7x7x7)/Cube 0: Measurement grid: dx=5mm, dy=5mm, dz=5mm

Reference Value = 86.489 V/m; Power Drift = 0.04 dB

Peak SAR (extrapolated) = 27.808 mW/g

SAR(1 g) = 12.9 mW/g; SAR(10 g) = 5.86 mW/g

Maximum value of SAR (measured) = 14.8 mW/g



0 dB = 14.8 mW/g = 23.41 dB mW/g

System Check_Body_5200MHz_120929

DUT: D5GHzV2-SN:1006

Communication System: CW; Frequency: 5200 MHz; Duty Cycle: 1:1

Medium: MSL_5G_120929 Medium parameters used: $f = 5200$ MHz; $\sigma = 5.279$ mho/m; $\epsilon_r = 48.534$; $\rho = 1000$ kg/m³

Ambient Temperature : 22.5 °C ; Liquid Temperature : 21.5 °C

DASY5 Configuration:

- Probe: EX3DV4 - SN3820; ConvF(4.19, 4.19, 4.19); Calibrated: 2011/12/16;
- Sensor-Surface: 2.5mm (Mechanical Surface Detection)
- Electronics: DAE4 Sn1338; Calibrated: 2012/6/12
- Phantom: ELI 4.0_Front; Type: QDOVA001BB; Serial: 1026
- Measurement SW: DASY52, Version 52.8 (2); SEMCAD X Version 14.6.6 (6477)

Pin=250mW/Area Scan (91x91x1): Measurement grid: dx=10mm, dy=10mm

Maximum value of SAR (interpolated) = 35.7 mW/g

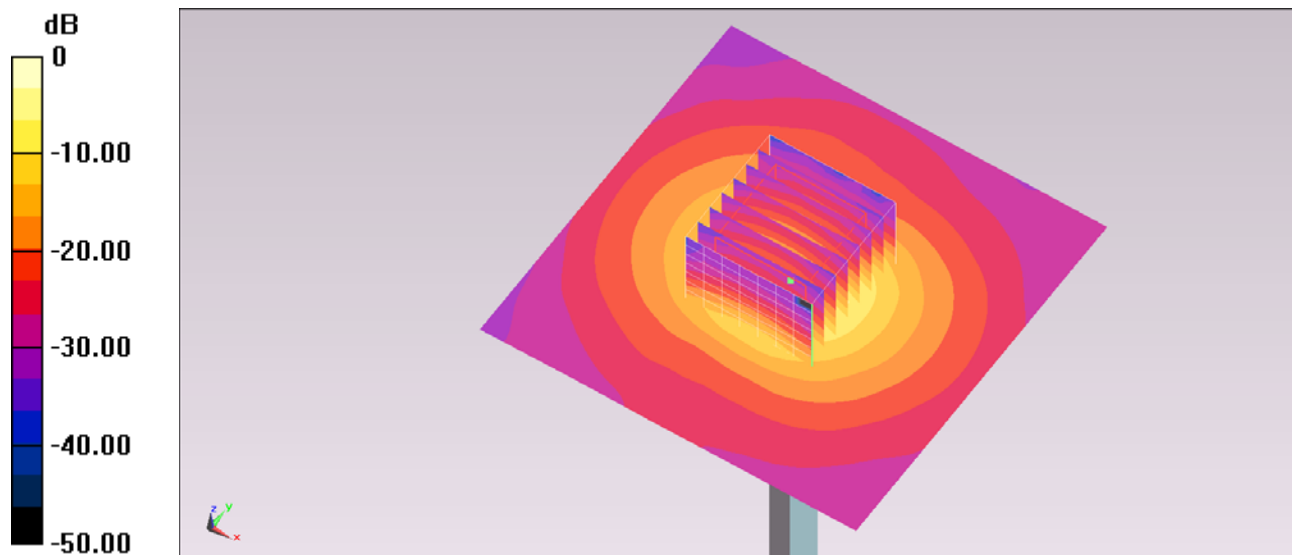
Pin=250mW/Zoom Scan (8x8x8)/Cube 0: Measurement grid: dx=4.3mm, dy=4.3mm, dz=3mm

Reference Value = 87.956 V/m; Power Drift = -0.06 dB

Peak SAR (extrapolated) = 67.320 mW/g

SAR(1 g) = 19.2 mW/g; SAR(10 g) = 5.34 mW/g

Maximum value of SAR (measured) = 32.4 mW/g



0 dB = 32.4 mW/g = 30.21 dB mW/g

System Check_Body_5500MHz_120929

DUT: D5GHzV2-SN:1006

Communication System: CW; Frequency: 5500 MHz; Duty Cycle: 1:1

Medium: MSL_5G_120929 Medium parameters used: $f = 5500 \text{ MHz}$; $\sigma = 5.717 \text{ mho/m}$; $\epsilon_r = 47.955$; $\rho = 1000 \text{ kg/m}^3$

Ambient Temperature : $22.5 \text{ }^\circ\text{C}$; Liquid Temperature : $21.5 \text{ }^\circ\text{C}$

DASY5 Configuration:

- Probe: EX3DV4 - SN3820; ConvF(3.7, 3.7, 3.7); Calibrated: 2011/12/16;
- Sensor-Surface: 2.5mm (Mechanical Surface Detection)
- Electronics: DAE4 Sn1338; Calibrated: 2012/6/12
- Phantom: ELI 4.0_Front; Type: QDOVA001BB; Serial: 1026
- Measurement SW: DASY52, Version 52.8 (2); SEMCAD X Version 14.6.6 (6477)

Pin=250mW/Area Scan (91x91x1): Measurement grid: $dx=10\text{mm}$, $dy=10\text{mm}$

Maximum value of SAR (interpolated) = 38.4 mW/g

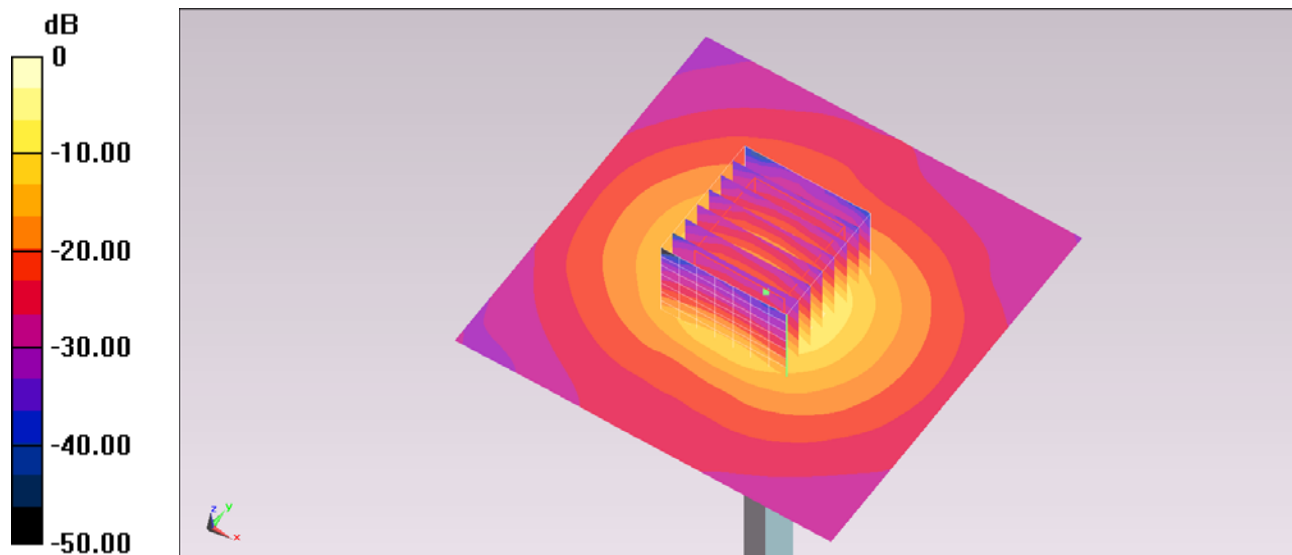
Pin=250mW/Zoom Scan (8x8x8)/Cube 0: Measurement grid: $dx=4.3\text{mm}$, $dy=4.3\text{mm}$, $dz=3\text{mm}$

Reference Value = 88.941 V/m ; Power Drift = -0.024 dB

Peak SAR (extrapolated) = 68.174 mW/g

SAR(1 g) = 20 mW/g ; SAR(10 g) = 5.59 mW/g

Maximum value of SAR (measured) = 33.9 mW/g



$0 \text{ dB} = 33.9 \text{ mW/g} = 30.60 \text{ dB mW/g}$

System Check_Body_5800MHz_120929

DUT: D5GHzV2-SN:1006

Communication System: CW; Frequency: 5800 MHz; Duty Cycle: 1:1

Medium: MSL_5G_120929 Medium parameters used: $f = 5800 \text{ MHz}$; $\sigma = 6.113 \text{ mho/m}$; $\epsilon_r = 47.156$; $\rho = 1000 \text{ kg/m}^3$

Ambient Temperature : $22.5 \text{ }^\circ\text{C}$; Liquid Temperature : $21.5 \text{ }^\circ\text{C}$

DASY5 Configuration:

- Probe: EX3DV4 - SN3820; ConvF(3.82, 3.82, 3.82); Calibrated: 2011/12/16;
- Sensor-Surface: 2.5mm (Mechanical Surface Detection)
- Electronics: DAE4 Sn1338; Calibrated: 2012/6/12
- Phantom: ELI 4.0_Front; Type: QDOVA001BB; Serial: 1026
- Measurement SW: DASY52, Version 52.8 (2); SEMCAD X Version 14.6.6 (6477)

Pin=250mW/Area Scan (91x91x1): Measurement grid: $dx=10\text{mm}$, $dy=10\text{mm}$

Maximum value of SAR (interpolated) = 29.6 mW/g

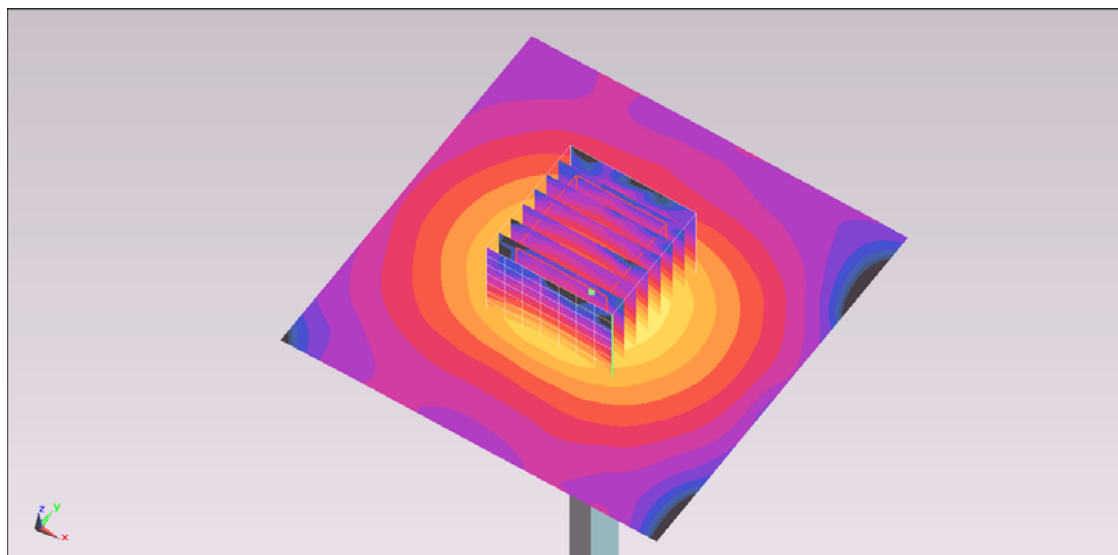
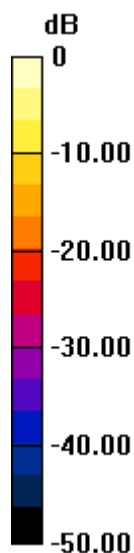
Pin=250mW/Zoom Scan (8x8x8)/Cube 0: Measurement grid: $dx=4.3\text{mm}$, $dy=4.3\text{mm}$, $dz=3\text{mm}$

Reference Value = 76.098 V/m ; Power Drift = 0.13 dB

Peak SAR (extrapolated) = 65.519 mW/g

SAR(1 g) = 16.9 mW/g ; SAR(10 g) = 4.64 mW/g

Maximum value of SAR (measured) = 29.4 mW/g



0 dB = 29.4 mW/g = 29.37 dB mW/g