



# TEST REPORT

---

## COMPLIANCE TEST REPORT

EUT Description	Wireless Module Installed in Notebook PC
Brand Name	Dell
Model Name	P154G
FCC ID	E2KAX211D2
Date of Test Start/End	2023-03-15/2023-03-16
Features	IEEE802.11a/b/g/n/ac/ax

Applicant	Intel Mobile Communications
Address	100 Center Point Circle, Suite 200 Columbia, South Carolina 29210 USA
Contact Person	Steven Hackett
Telephone/Fax/ Email	steven.c.hackett@intel.com

Test Report identification	221114-01.TR01
Revision Control	Rev. 01 This test report replaces any previous versions of this test report (see Section 1)

Reviewed by \_\_\_\_\_

Adel LOUNES  
(Test Lead Engineer)

Intel Corporation S.A.S – WRF Lab  
425 rue de Goa – Le Cargo B6 - 06600, Antibes, France  
Tel. +33493001400 / Fax +33493001401



# Table of Contents

---

- 1. Document Revision History ..... 3
- 2. Test Setup..... 3
- 3. Test Sample..... 4
- 4. Test Equipment List..... 4
- 5. Test Results..... 4
  - 5.1. SAR TUNE-UP POWER AS PER SAR ASSESSMENT ..... 4
  - 5.2. TAS VALIDATION FOR 2.4 GHZ BAND ON CHANNEL 6..... 5
  - 5.3. TAS VALIDATION FOR 5 GHZ BAND ON CHANNEL 120 ..... 7

## 1. Document Revision History

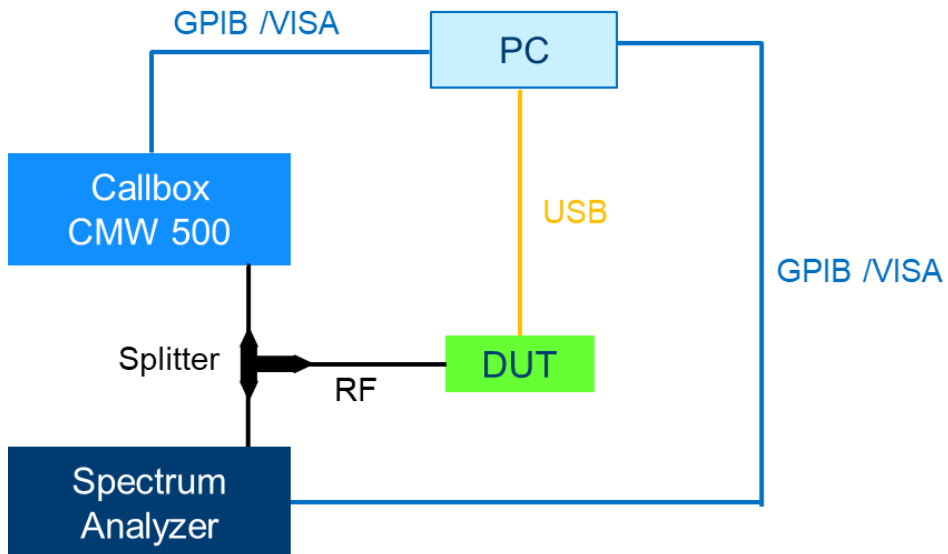
Revision #	Date	Modified by	Revision Details
Rev.00	2023-03-17	Robin LUCIANI	First Issue
Rev.01	2023-03-20	Robin LUCIANI	FCC ID updated in front page

## 2. Test Setup

The conducted power measurement test setup is described in the following and illustrated in Figure A.1.

- The DUT which is a AX211 WiFi module is installed inside a Notebook PC from Dell model P154G.
- A control PC is used to configure the Call Box as an access point to manage the uplink and downlink data traffic.
- Uplink signal power is measured with the Spectrum Analyzer and record by the PC with a maximum time resolution of 0.3333 msec.
- Uplink signal from the module is fed through a 3 dB Power Splitter, which delivers an equal amount of signal to the Spectrum Analyzer and the Call Box. The Splitter has high isolation between the Spectrum Analyzer and the Call Box.

Figure.1 – Validation using conducted power measurement test setup.



### 3. Test Sample

Sample	ID #	Description	Model	Serial #	Note
#1	221114-01.S01	Wireless Module Installed in Notebook PC	P154G	7491520900028	-

### 4. Test Equipment List

Equipment and accessories used for the conducted power measurement test setup are listed below. The Test Platform (DUT), test setup and associated equipment are shown in A.1.3.

ID#	Device	Type/Model	Serial #	Manufacturer	Cal. Date	Cal. Due Date
025-005	Communication Tester	CMW500	161493	Rohde & Schwarz	N/A	N/A
271-000	Spectrum Analyzer	FSL6	102143	Rohde & Schwarz	2022-04-25	2024-04-25
455-001	RF Cable	-	-	Pasternack	2023-02-23	2023-08-23
455-002	RF Cable	-	-	-	2023-02-23	2023-08-23
455-003	RF Splitter	-	-	Pasternack	2023-02-23	2023-08-23

### 5. Test Results

#### 5.1. SAR Tune-Up Power as per SAR assessment

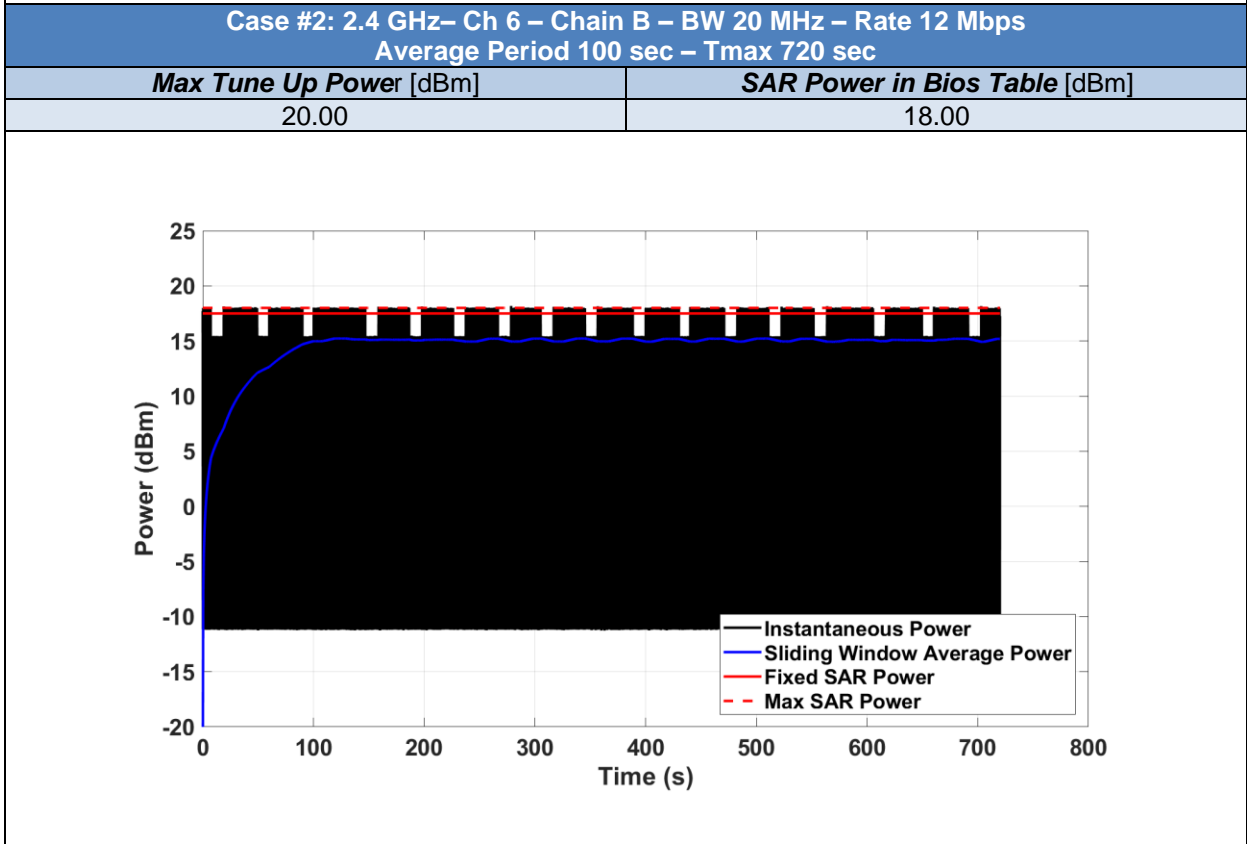
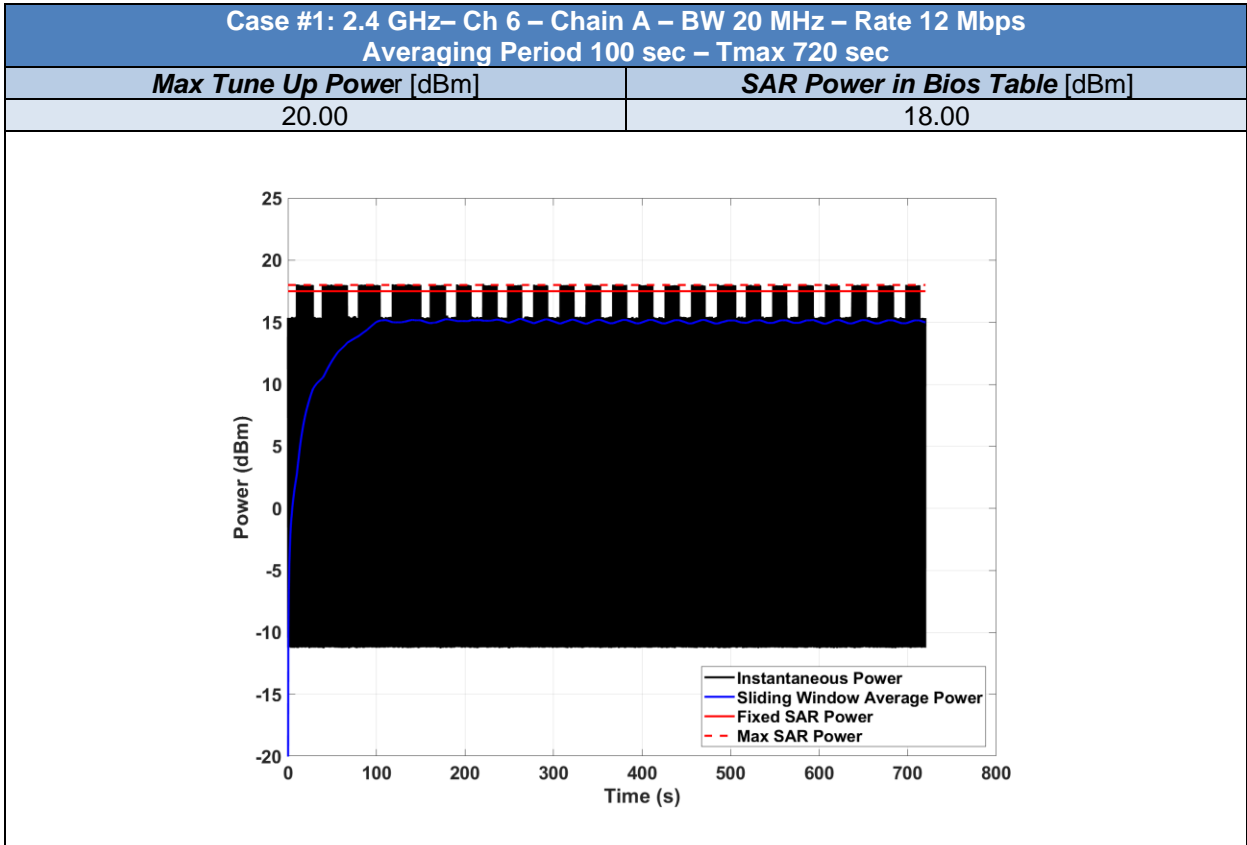
Chain A		Chain B	
IEEE 802.11g CH6	IEEE 802.11a CH120	IEEE 802.11g CH6	IEEE 802.11a CH120
18.00	18.00	18.00	18.00

## 5.2. TAS Validation for 2.4 GHz Band on Channel 6

Table B1 – Test Cases for 2.4 GHz Channel 6

Test Case #	Channel	Chain	Channel Bandwidth	Measurement Averaging Period	Measurement Time Resolution	Max Tune-Up Power [dBm]	SAR Power in Bios Table [dBm]
1	6	A	20 MHz	100 sec	0.3333 msec	20.00	18.00
2	6	B	20 MHz	100 sec	0.3333 msec	20.00	18.00

Results of test cases in Table B1 are shown in the following plots.



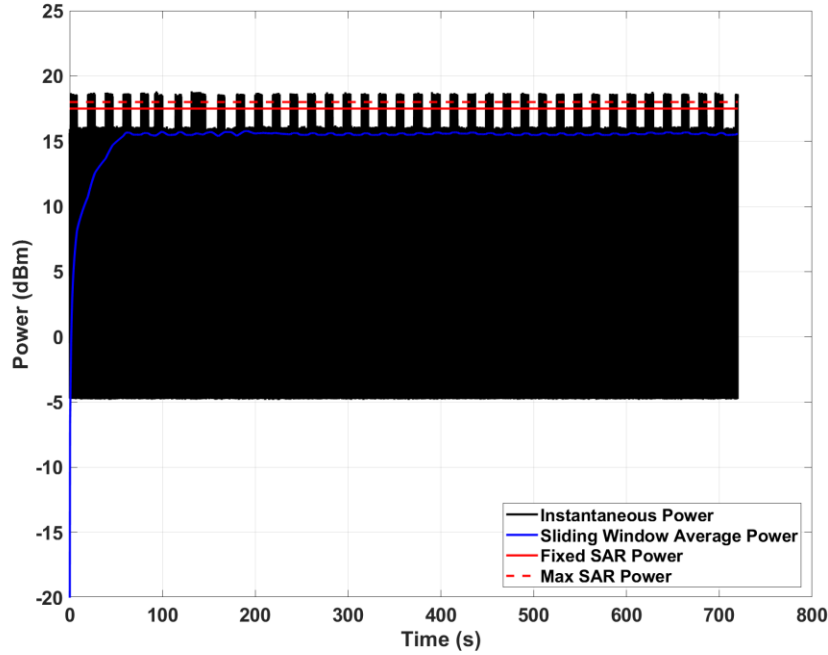
### 5.3. TAS Validation for 5 GHz Band on Channel 120

Table B2 – Test Cases for 5 GHz Channel 120

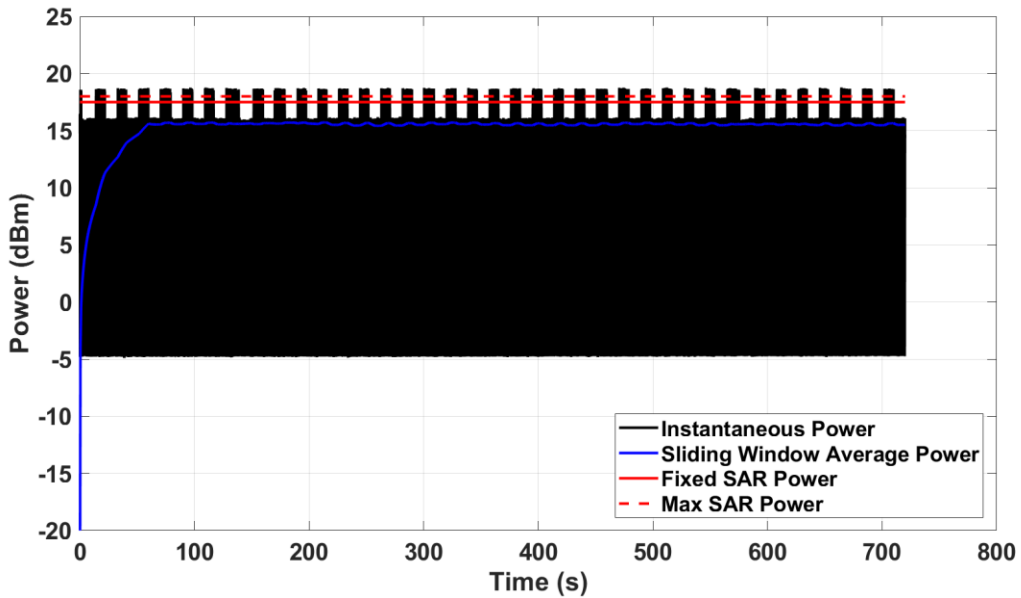
Test Case #	Channel	Chain	Channel Bandwidth	Measurement Averaging Period	Measurement Time Resolution	Max Tune-Up Power [dBm]	SAR Power in Bios Table [dBm]
1	120	A	20 MHz	60 sec	0.3333 msec	20.00	18.00
2	120	B	20 MHz	60 sec	0.3333 msec	20.00	18.00

Results of test cases in Table B2 are shown in the following plots.

Case #1: 5 GHz– Ch 120 – Chain A– BW 20 MHz – Rate 12 Mbps Averaging Period 60 sec – Tmax 720 sec	
Max Tune-Up Power [dBm]	SAR Power in Bios Table [dBm]
20.00	18.00



Case #2: 5 GHz– Ch 120 – Chain B – BW 20 MHz – Rate 12 Mbps Average Period 60 sec – Tmax 720 sec	
Max Tune-Up Power [dBm]	SAR Power in Bios Table [dBm]
20.00	18.00





## **End of the report**

**This page is intentionally left blank and marks the last page of the test report.**