

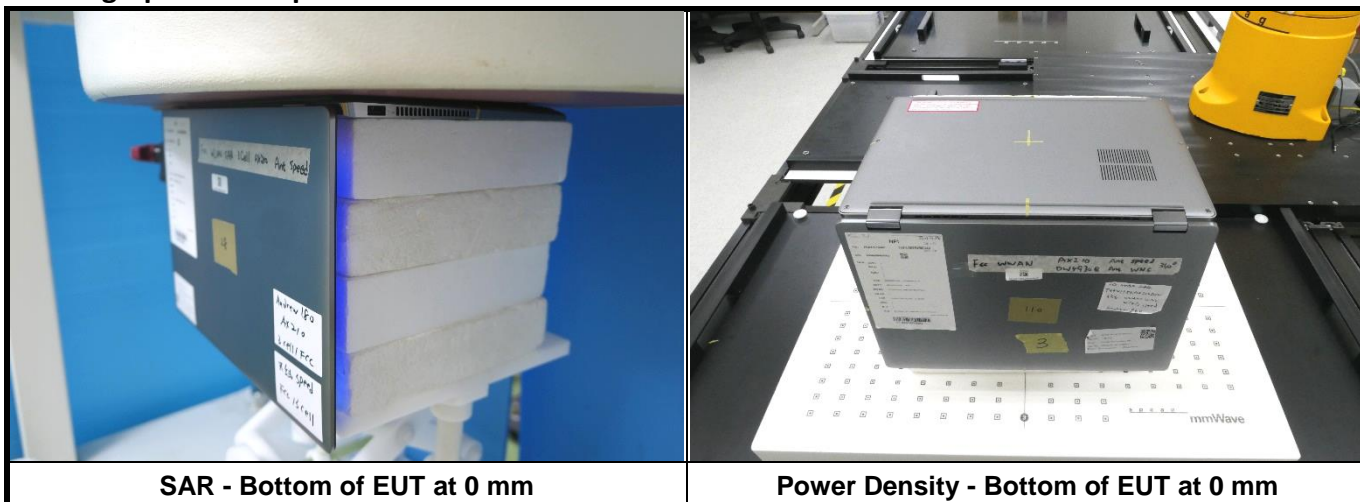
Appendix D. Photographs of EUT and Setup

The photographs of EUT and setup for SAR testing are shown as follows.

<Photographs of EUT>



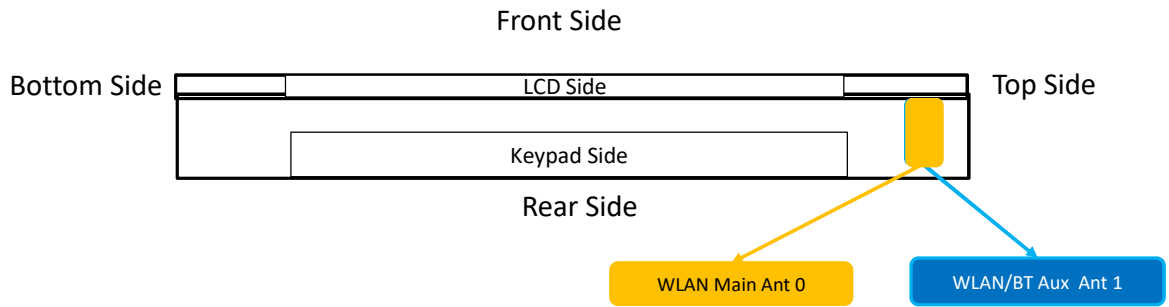
<Photographs of Setup>



SAR - Bottom of EUT at 0 mm

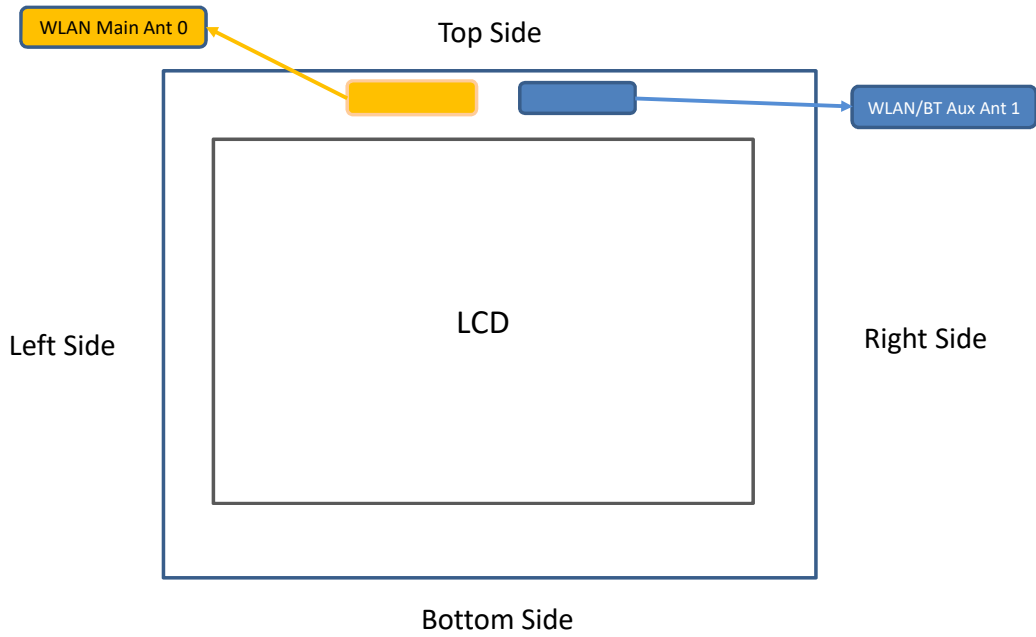
Power Density - Bottom of EUT at 0 mm

<Right Side View> Convertible PC Tablet Mode



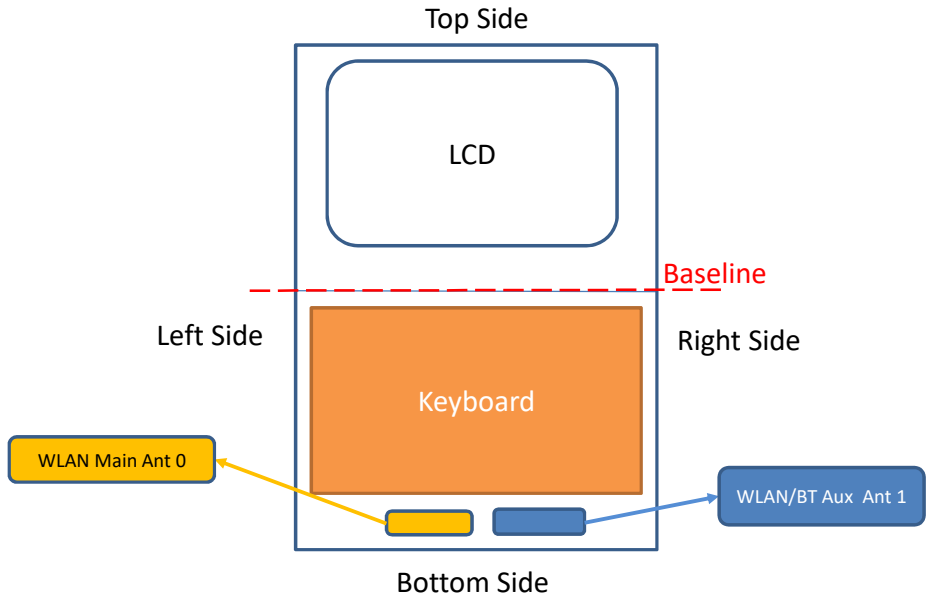
Antenna	To Front Side	To Rear Side	Support Band
	(mm)	(mm)	
WLAN Main Ant 0	2.00	2.00	WLAN
WLAN/BT Aux Ant 1	2.00	2.00	WLAN+BT

<Front Face View> Convertible PC Tablet Mode



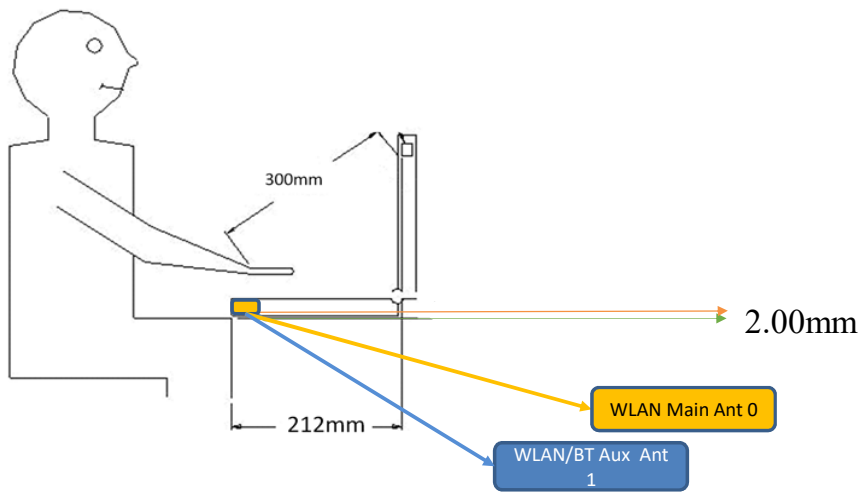
Antenna	To Top Side	To Bottom Side	To Left Side	To Right Side	Support Band
	(mm)	(mm)	(mm)	(mm)	
WLAN Main Ant 0	3.00	209.00	93.00	177.00	WLAN
WLAN/BT Aux Ant 1	3.00	209.00	165.00	105.00	WLAN+BT

<Front Face View>Notebook Mode (180°)



Antenna	To Top Side	To Bottom Side	To Left Side	To Right Side	Support Band
	(mm)	(mm)	(mm)	(mm)	
WLAN Main Ant 0	422.00	3.00	93.00	177.00	WLAN
WLAN/BT Aux Ant 1	422.00	3.00	165.00	105.00	WLAN+BT

<Right Side View> Notebook Mode(90°)



Antenna	Rear Face	Support Band
	(mm)	
WLAN Main Ant 0	2.00	WLAN
WLAN/BT Aux Ant 1	2.00	WLAN+BT