

DS-DELL-300 Series  
Havis Rugged Mobile Docking Station  
For DELL XT2 XFR



## Before Beginning

---

Havis is pleased to provide these set-up instructions to aid in the proper installation and use of the DS-DELL-300 Series docking station for the DELL XT2 XFR laptop.

For questions regarding the set-up of your DS-DELL-300 Series docking station, please contact Havis at 1-800-524-9900 or visit [www.havis.com](http://www.havis.com) for additional product support and information.

### **WARNING**

- **NEVER STOW OR MOUNT THE DS-DELL-300 SERIES DIRECTLY IN A VEHICLE AIRBAG DEPLOYMENT ZONE.**
- **DO NOT USE COMPUTER WHILE DRIVING.**

### **CAUTION**

**READ ALL INSTRUCTIONS THOROUGHLY BEFORE BEGINNING INSTALLATION.**

## Precautions

---

- Do Not Place Containers of Liquid or Metal Objects on Top of The Docking Station
- If a Malfunction Occurs, Immediately Unplug the Power Supply and Remove the Laptop
- Use Only the Specified Power Supply With This Docking Station
- Do Not Store The Docking Station Where There is a Lot of Water, Moisture, Steam, Dust, Oily Vapors, etc.
- Do Not Connect Cables Into Ports Other Than What They Are Specified For
- Do Not Leave The Docking Station in A High Temperature Environment (over 158° F) for a Long Period of Time

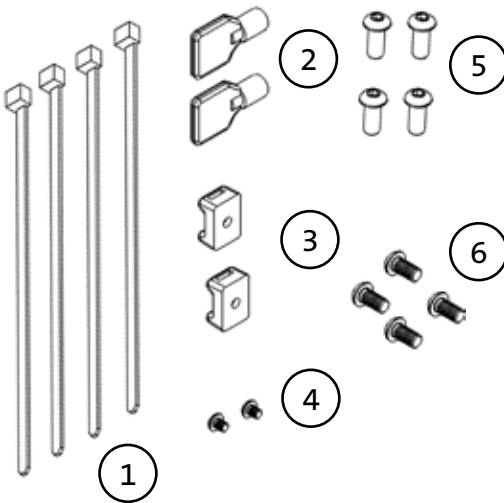
# Table of Contents

---

Hardware Kit.....	2
Name and Function of Parts.....	3
Installation.....	4
Cable Management.....	5
Installation of Screen Stiffener.....	6
Operation - Docking/Undocking.....	7
Operation - LCD Clip.....	9

## Hardware Kit

---



The hardware kit includes:

1. Zip Ties (4)
2. Keys (2)
3. Zip Tie Mounts (2)
4. M4 Pan Head Screw (2)
5. 1/4" - 20 Button Head Screw (4)
6. M6 Button Head Screw (4)

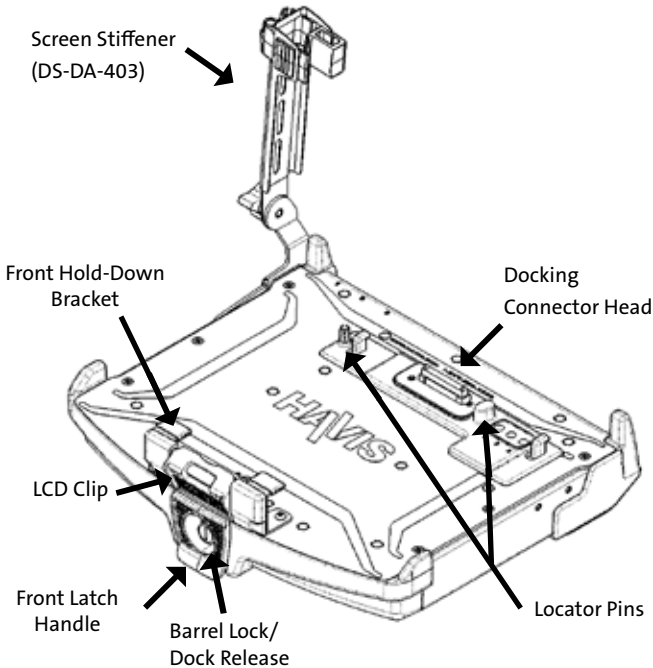
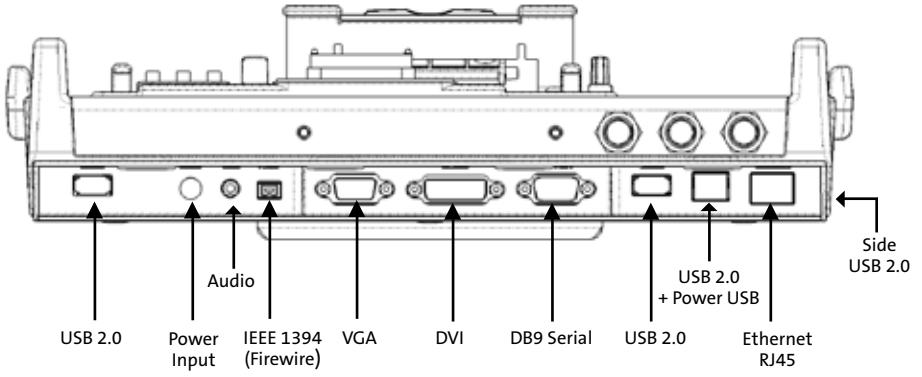
### Tools Required For Installation:

- #2 Phillips Drive (For attaching zip tie mounts to mounting bracket)
- 4 mm Hex Drive ( For attaching mounting bracket to docking station with M6 Screws )
- 5/32" Hex Drive ( For attaching mounting bracket to motion device with 1/4" -20 screws)

# Specifications

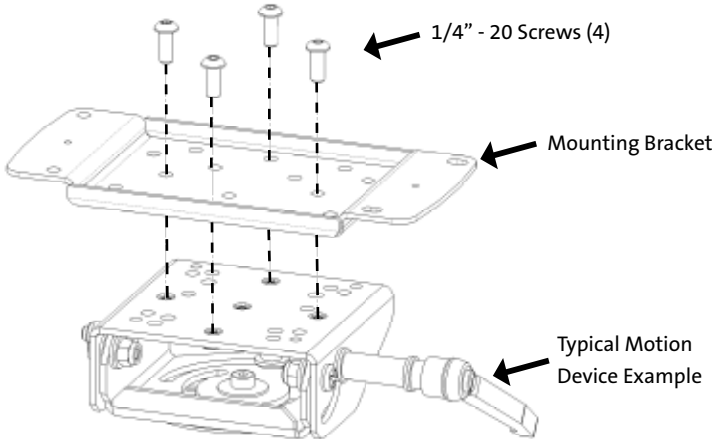
Power Supply Input	19V DC-In
Dimensions	13.2" (33.6cm) W x 11.1" (28.2cm) D x 3.7" (9.3cm) H
Weight	6.9 lbs (3.1 kg)
Operating Environment	-23°C to 60°C (-10°F to 140°F)
Storage Environment	-40°C to 70°C (-40°F to 158°F)

## Name and Function of Parts

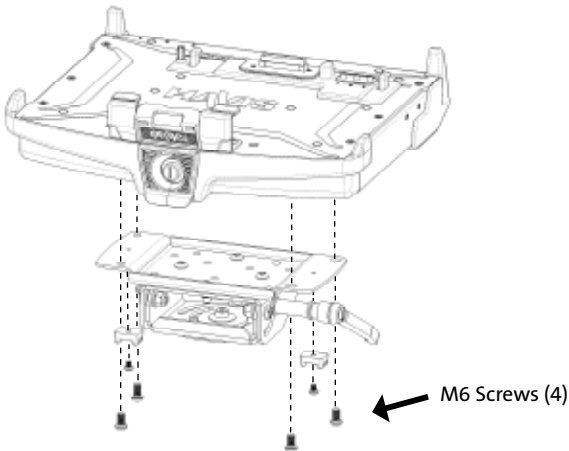


# Installation

1). Remove the mounting bracket from the packaging. Next install the mounting bracket to the motion device using (4) 1/4"-20 button head screws (supplied). Torque screws to 13.4Nm (120 in-lbs)  $\pm$  10%.



2). Install the docking station to the mounting bracket using (4) M6 button head screws (supplied). Torque screws to 4.6Nm (40 in-lbs)  $\pm$  10%.



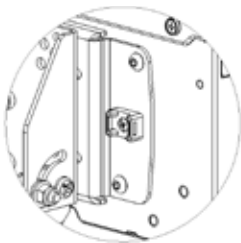
## NOTE:

It is recommended to use a drop of medium strength (blue) thread locking adhesive applied to the threads of all the fasteners.

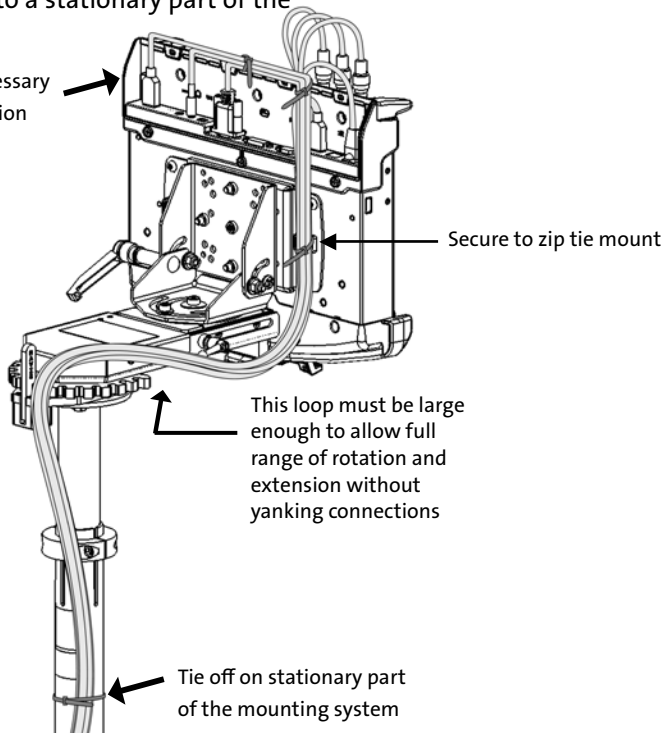
# Cable Management

- 1). Tip the dock to a position that is comfortable to work with.
- 2). Install the (2) zip tie mounts to the mounting bracket using (2) M4 pan head screws (supplied) and medium strength thread-locking adhesive. Torque screws to 1.8Nm (16 in-lbs)  $\pm$  10%.
- 3.) Install all cables that are necessary for computing needs.
- 4). Use zip ties through integral loops in rear of dock to strain relieve connectors.
- 5). Gather all cables to one side and tie off to zip tie mount with zip tie provided.
- 6). Create a service loop with cables to ensure that no tension is on the connectors and to enable intended motion.
- 7). Tie off cables onto a stationary part of the mounting system.

Use as many ties as necessary to protect each connection

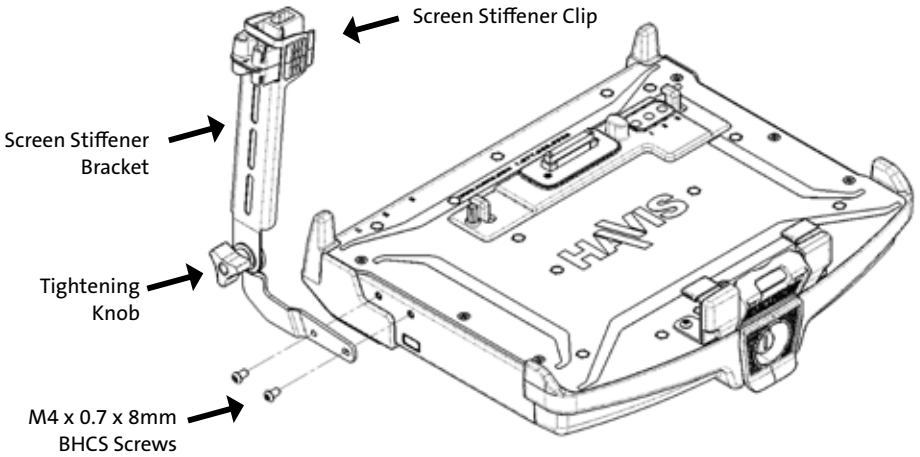


Close up of Zip Tie Mount



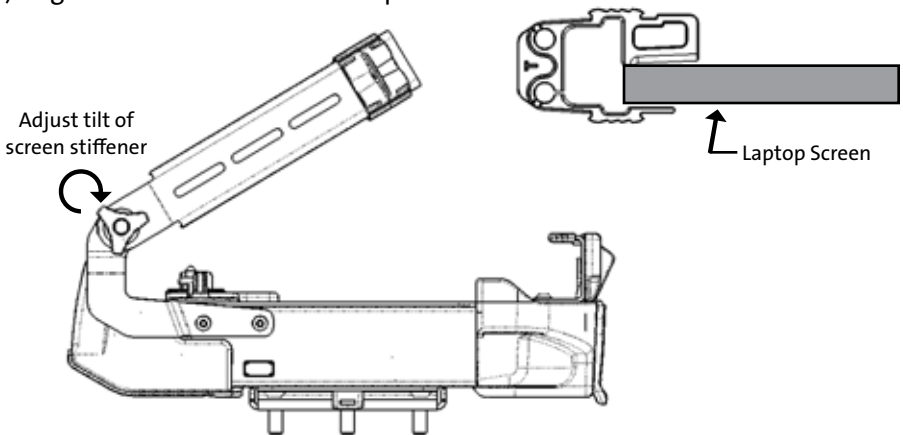
# Installation of Screen Stiffener

- 1). Align holes in screen stiffener with holes on side of docking station.
- 2). Apply a drop of medium strength thread-locking adhesive and attach with (2) M4 x 0.7 x 8mm BHCS screws. Torque to 1.8Nm/16 ± 10% in-lbs using a 2.5 hex drive.



## To Use Screen Stiffener:

- 1). Insert laptop screen between tabs of screen stiffener clip.
- 2). Adjust tilt of screen stiffener to the desired viewing level.
- 3). Tighten knob to hold screen in place.



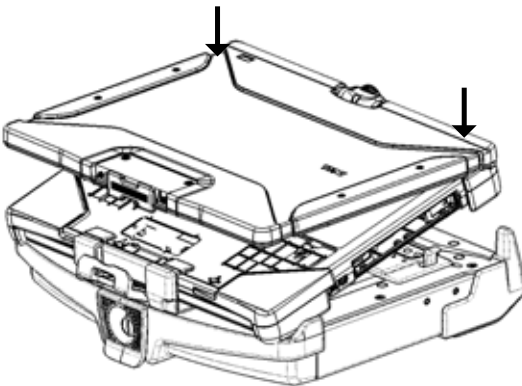
### Operation - Docking:

- 1). Ensure docking station is unlatched by depressing button in the barrel lock. The front latching handle will extend forward and the red warning indicator on top of latch handle will be visible.
- 2). Ensure LCD latch is released and screen slightly raised prior to loading computer into docking station. Refer to computer user's guide for proper operation of LCD latch. Also ensure that LCD clip is released and stowed prior to loading computer into docking station (see pg.9 for LCD clip operation).

#### **⚠ CAUTION**

**Ensure access door to computer connector is fully opened prior to docking computer or damage to docking station may result. Refer to computer user's guide for location and proper operation of docking connector access door.**

- 3). Load front of computer into dock first, ensuring that the vinyl caps on the front hold down brackets are inserted between the laptop LCD and main body. Take care to center computer in dock when loading.
- 4). Lower back of laptop down onto docking connector.



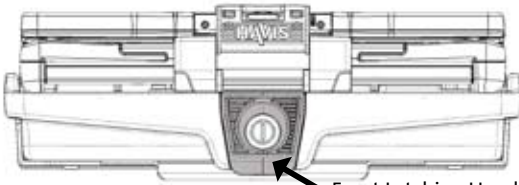
#### **⚠ CAUTION**

**Do Not Force Laptop Onto Connector if There is Resistance - Check Alignment With Locating Features**



## Operation - Docking/Undocking

---



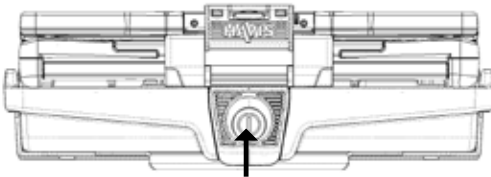
5). With computer seated on dock apply slight downward pressure on the rear of the computer and push front latch handle towards the computer/docking station until latched

6). If desired secure computer by locking barrel lock with supplied key.

### Operation - Undocking:

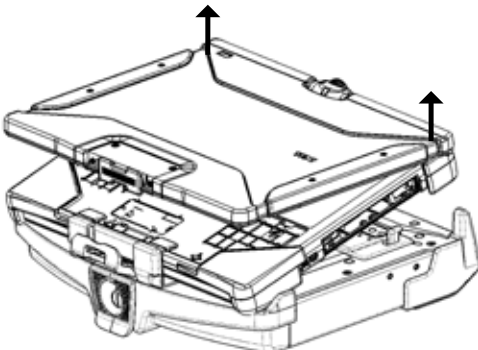
1). If previously locked, unlock dock using supplied key.

2). Ensure that LCD clip is released and stowed prior to attempting to remove computer from docking station (see pg. 9 for LCD clip operation).



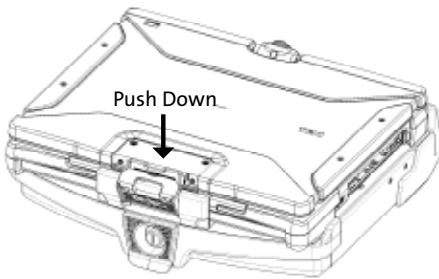
3). Press center of barrel lock to unlatch docking station. The front latching handle will extend forward and the red warning indicator will be visible

4). Once unlatched grab both sides of computer and carefully lift out of dock, rear end first.



### Clip Engagement:

- 1). Once computer has been docked , LCD clip should be used to secure LCD when closed or in tablet mode.
- 2). Ensure LCD is centered and flush against the vinyl caps on the front hold down bracket.
- 3). Push down on the LCD latch until it bottoms out against the front hold down bracket.
- 4). Raise the LCD clip and rotate it over the LCD latch on the computer until it snaps into engagement.



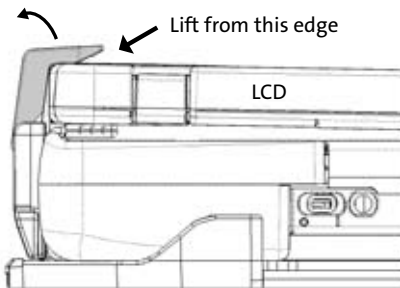
Stowed Position Shown



Engaged Position Shown

### Clip Disengagement:

- 1). Lift and rotate the LCD clip out of engagement until the LCD can be raised from it's stowed/tablet position. Do not exert excessive force when disengaging the LCD clip or damage may occur.

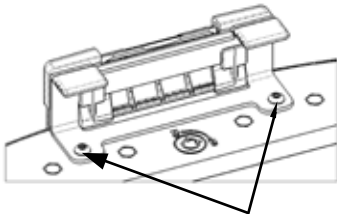


- 2). Ensure that the LCD clip is lowered to it's stowed position for storage and to minimize risk of damage.

### Clip Removal (optional):

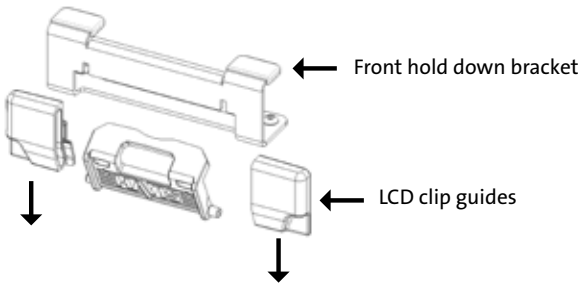
Should use of the LCD clip not be required, it can be removed according to the following procedure.

- 1). Remove computer from docking station.
- 2). Using a 2.5 mm Hex drive, remove the two screws used to secure the front hold down bracket.

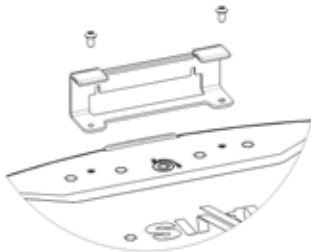


Remove (2) screws

- 3). Slide the LCD clip and (2) LCD clip guides off of the front hold down bracket.



- 4). Re-attach the front hold down bracket to the docking station using the same screws removed in step 2. Use a 2.5mm Hex drive and torque screws to 1.8 Nm (16 in-lbs)  $\pm$  10%
- 5). Ensure that vinyl caps are still in place on the front hold down bracket and continue with normal use of the docking station.



#### NOTE:

It is recommended to use a drop of medium strength (blue) thread locking adhesive applied to the threads of the fasteners.

