

APPENDIX A

LABORATORY RECOGNITIONS

Brea Division
114 Olinda Drive
Brea, CA 92823
(714) 579-0500

Agoura Division
2337 Troutdale Drive
Agoura, CA 91301
(818) 597-0600

Silverado Division
19121 El Toro Road
Silverado, CA 92676
(949) 589-0700

Lake Forest Division
20621 Pascal Way
Lake Forest, CA 92630
(949) 587-0400

LABORATORY RECOGNITIONS

Compatible Electronics has the following agency accreditations:

National Voluntary Laboratory Accreditation Program - Lab Code: 200528-0

Voluntary Control Council for Interference - Registration Numbers: R-983, C-1026, R-984 and C-1027

Bureau of Standards and Metrology Inspection - Reference Number: SL2-IN-E-1031

Conformity Assessment Body for the EMC Directive Under the US/EU MRA Appointed by NIST

Compatible Electronics is recognized or on file with the following agencies:

Federal Communications Commission

Industry Canada

Radio-Frequency Technologies (Competent Body)



APPENDIX B

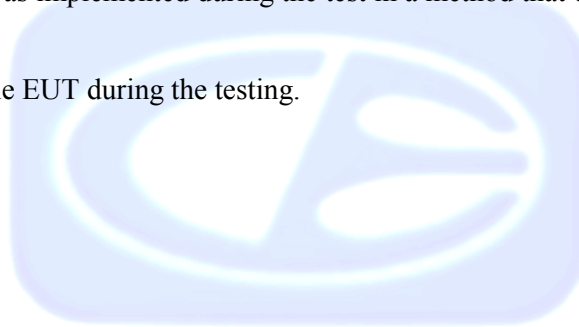
MODIFICATIONS TO THE EUT

MODIFICATIONS TO THE EUT

The modifications listed below were made to the EUT to pass FCC Subpart B and Subpart C specifications.

All the rework described below was implemented during the test in a method that could be reproduced in all the units by the manufacturer.

No modifications were made to the EUT during the testing.





APPENDIX C

***ADDITIONAL MODELS COVERED
UNDER THIS REPORT***

Brea Division
114 Olinda Drive
Brea, CA 92823
(714) 579-0500

Agoura Division
2337 Troutdale Drive
Agoura, CA 91301
(818) 597-0600

Silverado Division
19121 El Toro Road
Silverado, CA 92676
(949) 589-0700

Lake Forest Division
20621 Pascal Way
Lake Forest, CA 92630
(949) 587-0400

ADDITIONAL MODELS COVERED UNDER THIS REPORT

USED FOR THE PRIMARY TEST

Intel Mini PCI Type 3A 802.11 BG Wireless LAN Adapter (for use
in the Dell Laptop Agency Series Number: PP17L)
Model: WM3A2200BG
S/N: N/A

There were no additional models covered under this report.



APPENDIX D

DIAGRAMS, CHARTS, AND PHOTOS

FIGURE 1: CONDUCTED EMISSIONS TEST SETUP

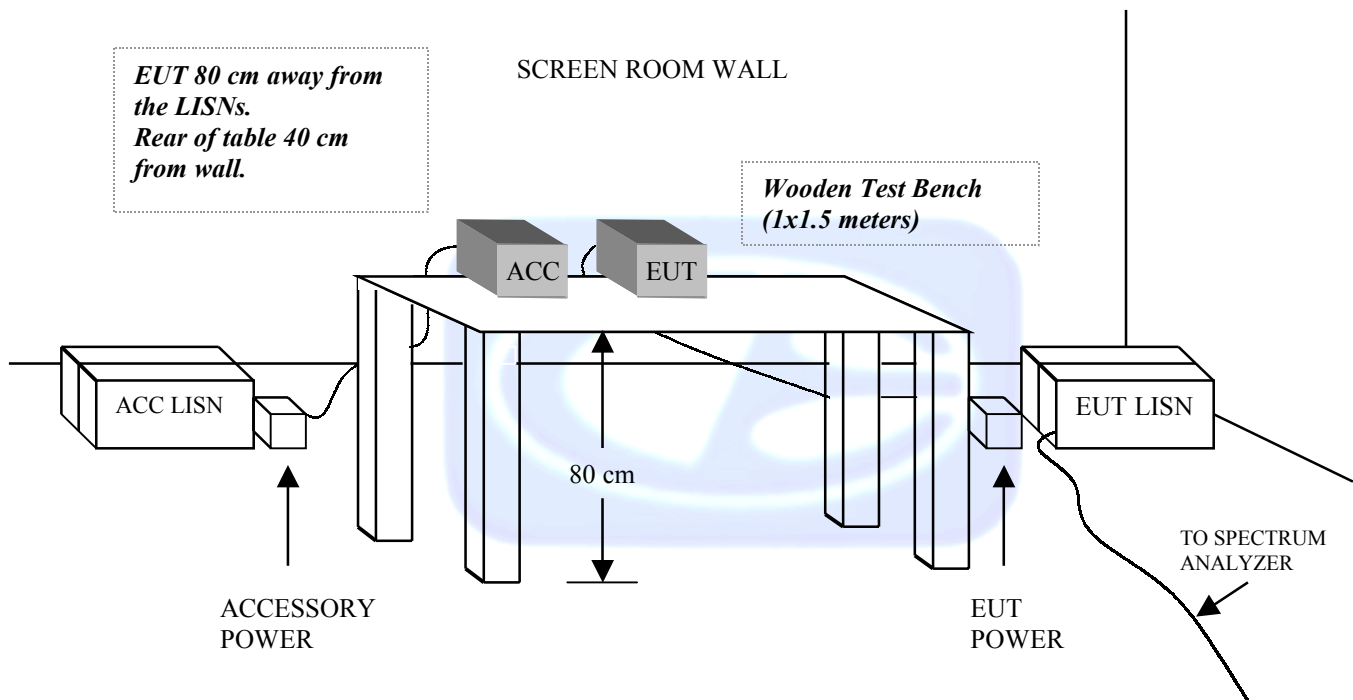
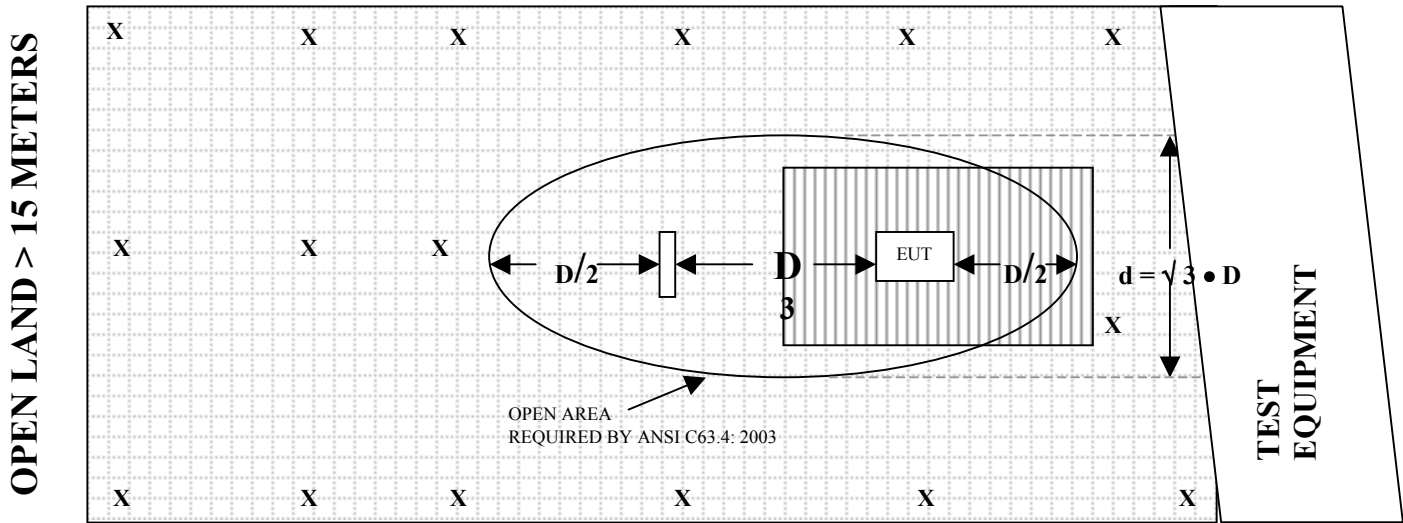


FIGURE 2: PLOT MAP AND LAYOUT OF 3 METER RADIATED SITE

OPEN LAND > 15 METERS



OPEN LAND > 15 METERS

- | | | | |
|----------|--------------------------|--|-----------------|
| X | = GROUND RODS | | = GROUND SCREEN |
| D | = TEST DISTANCE (meters) | | = WOOD COVER |

COM-POWER AB-900**BICONICAL ANTENNA**

S/N: 15250

CALIBRATION DATE: MARCH 12, 2004

FREQUENCY (MHz)	FACTOR (dB)	FREQUENCY (MHz)	FACTOR (dB)
30	9.80	120	12.90
35	10.40	125	13.20
40	12.20	140	11.70
45	12.40	150	11.90
50	10.60	160	13.20
60	8.00	175	15.90
70	8.40	180	16.40
80	6.70	200	16.40
90	8.90	250	17.70
100	10.50	300	19.10

COM-POWER AL-100**LOG PERIODIC ANTENNA**

S/N: 16060

CALIBRATION DATE: SEPTEMBER 27, 2004

FREQUENCY (MHz)	FACTOR (dB)	FREQUENCY (MHz)	FACTOR (dB)
300	12.30	700	19.20
400	14.10	800	21.30
500	15.20	900	21.90
600	15.90	1000	25.20

COM-POWER PA-103**PREAMPLIFIER**

S/N: 1582

CALIBRATION DATE: FEBRUARY 3, 2005

FREQUENCY (MHz)	FACTOR (dB)	FREQUENCY (MHz)	FACTOR (dB)
30	33.2	300	33.0
40	33.0	350	32.8
50	33.1	400	32.8
60	33.0	450	32.8
70	33.2	500	32.5
80	33.2	550	32.5
90	33.1	600	32.4
100	33.2	650	32.4
125	33.1	700	32.3
150	33.0	750	32.2
175	33.0	800	32.2
200	33.0	850	32.4
225	33.0	900	31.8
250	33.0	950	32.3
275	32.9	1000	32.0

COM-POWER PA-122**MICROWAVE PREAMPLIFIER**

S/N: 25195

CALIBRATION DATE: FEBRUARY 25, 2005

FREQUENCY (GHz)	FACTOR (dB)	FREQUENCY (GHz)	FACTOR (dB)
1.0	31.45	6.0	31.35
1.1	31.34	6.5	31.10
1.2	31.29	7.0	30.54
1.3	31.28	7.5	29.72
1.4	31.25	8.0	29.22
1.5	31.21	8.5	28.75
1.6	31.14	9.0	28.67
1.7	31.07	9.5	29.14
1.8	31.12	10.0	30.12
1.9	31.04	11.0	29.30
2.0	31.20	12.0	29.86
2.5	31.56	13.0	30.57
3.0	32.17	14.0	29.90
3.5	32.56	15.0	30.14
4.0	32.51	16.0	31.13
4.5	32.52	17.0	29.97
5.0	32.33	18.0	28.77
5.5	31.60		

COM-POWER PA-840**MICROWAVE PREAMPLIFIER**

S/N: 711013

CALIBRATION DATE: FEBRUARY 25, 2005

FREQUENCY (GHz)	FACTOR (dB)	FREQUENCY (GHz)	FACTOR (dB)
18.0	27.193	29.5	28.341
18.5	26.721	30.0	28.166
19.0	25.938	30.5	28.259
19.5	25.678	31.0	27.227
20.0	25.192	31.5	27.134
20.5	24.643	32.0	27.349
21.0	23.898	32.5	26.701
21.5	24.261	33.0	26.965
22.0	24.544	33.5	27.326
22.5	24.984	34.0	26.536
23.0	25.008	34.5	26.753
23.5	25.268	35.0	26.133
24.0	25.697	35.5	25.759
24.5	26.304	36.0	25.538
25.0	26.716	36.5	26.126
25.5	26.939	37.0	26.719
26.0	27.009	37.5	26.713
26.5	27.299	38.0	26.035
27.0	27.931	38.5	24.438
27.5	27.516	39.0	24.013
28.0	27.402	39.5	23.474
28.5	27.457	40.0	24.467
29.0	27.926		

ANTENNA RESEARCH DRG-118/A**HORN ANTENNA**

S/N: 1053

CALIBRATION DATE: JANUARY 16, 2004

FREQUENCY (GHz)	FACTOR (dB)	FREQUENCY (GHz)	FACTOR (dB)
1.0	24.4	10.0	38.7
1.5	25.2	10.5	39.0
2.0	28.2	11.0	38.9
2.5	28.5	11.5	41.3
3.0	30.1	12.0	40.5
3.5	31.0	12.5	40.0
4.0	31.2	13.0	40.2
4.5	31.9	13.5	40.5
5.0	33.2	14.0	41.6
5.5	33.7	14.5	44.8
6.0	34.3	15.0	41.4
6.5	35.0	15.5	39.2
7.0	36.7	16.0	39.4
7.5	37.3	16.5	40.9
8.0	37.1	17.0	42.6
8.5	37.3	17.5	45.1
9.0	37.7	18.0	41.7
9.5	38.6		

COM-POWER AL-130**LOOP ANTENNA**

S/N: 17089

CALIBRATION DATE: SEPTEMBER 3, 2004

FREQUENCY (MHz)	MAGNETIC (dB/m)	ELECTRIC (dB/m)
0.009	-40.8	10.7
0.01	-40.9	10.6
0.02	-41.8	9.7
0.05	-42.0	9.5
0.07	-41.5	10.0
0.1	-41.7	9.8
0.2	-44.1	7.4
0.3	-41.6	9.9
0.5	-41.5	10.0
0.7	-41.4	10.1
1	-41.0	10.5
2	-40.6	10.9
3	-40.8	10.7
4	-41.0	10.5
5	-40.4	11.1
10	-40.7	10.8
15	-41.6	9.9
20	-41.3	10.2
25	-43.0	8.5
30	-42.6	8.9

COM-POWER AH826**HORN ANTENNA**

S/N: 0071957

CALIBRATION DATE: NOVEMBER 05, 2003

FREQUENCY (GHz)	FACTOR (dB)	FREQUENCY (GHz)	FACTOR (dB)
18.0	33.3	22.5	32.9
18.5	32.9	23.0	33.0
19.0	32.7	23.5	33.6
19.5	32.6	24.0	33.6
20.0	32.7	24.5	33.5
20.5	33.0	25.0	33.5
21.0	33.0	25.5	33.7
21.5	33.2	26.0	34.1
22.0	32.9	26.5	34.5



FRONT VIEW

DELL COMPUTER CORPORATION
INTEL MINI PCI TYPE 3A 802.11 BG WIRELESS LAN ADAPTER
FOR USE IN THE DELL LAPTOP AGENCY SERIES NUMBER: PP17L
MODEL: WM3A2200BG
FCC SUBPART B AND C – RADIATED EMISSIONS

**PHOTOGRAPH SHOWING THE EUT CONFIGURATION
FOR MAXIMUM EMISSIONS**

Brea Division
114 Olinda Drive
Brea, CA 92823
(714) 579-0500

Agoura Division
2337 Troutdale Drive
Agoura, CA 91301
(818) 597-0600

Silverado Division
19121 El Toro Road
Silverado, CA 92676
(949) 589-0700

Lake Forest Division
20621 Pascal Way
Lake Forest, CA 92630
(949) 587-0400



REAR VIEW

DELL COMPUTER CORPORATION
INTEL MINI PCI TYPE 3A 802.11 BG WIRELESS LAN ADAPTER
FOR USE IN THE DELL LAPTOP AGENCY SERIES NUMBER: PP17L
MODEL: WM3A2200BG
FCC SUBPART B AND C – RADIATED EMISSIONS

**PHOTOGRAPH SHOWING THE EUT CONFIGURATION
FOR MAXIMUM EMISSIONS**

Brea Division
114 Olinda Drive
Brea, CA 92823
(714) 579-0500

Agoura Division
2337 Troutdale Drive
Agoura, CA 91301
(818) 597-0600

Silverado Division
19121 El Toro Road
Silverado, CA 92676
(949) 589-0700

Lake Forest Division
20621 Pascal Way
Lake Forest, CA 92630
(949) 587-0400



FRONT VIEW

DELL COMPUTER CORPORATION
INTEL MINI PCI TYPE 3A 802.11 BG WIRELESS LAN ADAPTER
FOR USE IN THE DELL LAPTOP AGENCY SERIES NUMBER: PP17L
MODEL: WM3A2200BG
FCC SUBPART B AND C – RADIATED EMISSIONS

**PHOTOGRAPH SHOWING THE EUT CONFIGURATION
FOR MAXIMUM EMISSIONS**

Brea Division
114 Olinda Drive
Brea, CA 92823
(714) 579-0500

Agoura Division
2337 Troutdale Drive
Agoura, CA 91301
(818) 597-0600

Silverado Division
19121 El Toro Road
Silverado, CA 92676
(949) 589-0700

Lake Forest Division
20621 Pascal Way
Lake Forest, CA 92630
(949) 587-0400



REAR VIEW

DELL COMPUTER CORPORATION
INTEL MINI PCI TYPE 3A 802.11 BG WIRELESS LAN ADAPTER
FOR USE IN THE DELL LAPTOP AGENCY SERIES NUMBER: PP17L
MODEL: WM3A2200BG
FCC SUBPART B AND C – RADIATED EMISSIONS

**PHOTOGRAPH SHOWING THE EUT CONFIGURATION
FOR MAXIMUM EMISSIONS**

Brea Division
114 Olinda Drive
Brea, CA 92823
(714) 579-0500

Agoura Division
2337 Troutdale Drive
Agoura, CA 91301
(818) 597-0600

Silverado Division
19121 El Toro Road
Silverado, CA 92676
(949) 589-0700

Lake Forest Division
20621 Pascal Way
Lake Forest, CA 92630
(949) 587-0400



FRONT VIEW

DELL COMPUTER CORPORATION
INTEL MINI PCI TYPE 3A 802.11 BG WIRELESS LAN ADAPTER
FOR USE IN THE HP LAPTOP AGENCY SERIES NUMBER: PP17L
MODEL: WM3A2200BG
FCC SUBPART B AND C – CONDUCTED EMISSIONS

**PHOTOGRAPH SHOWING THE EUT CONFIGURATION
FOR MAXIMUM EMISSIONS**

Brea Division
114 Olinda Drive
Brea, CA 92823
(714) 579-0500

Agoura Division
2337 Troutdale Drive
Agoura, CA 91301
(818) 597-0600

Silverado Division
19121 El Toro Road
Silverado, CA 92676
(949) 589-0700

Lake Forest Division
20621 Pascal Way
Lake Forest, CA 92630
(949) 587-0400



REAR VIEW

DELL COMPUTER CORPORATION
INTEL MINI PCI TYPE 3A 802.11 BG WIRELESS LAN ADAPTER
FOR USE IN THE HP LAPTOP AGENCY SERIES NUMBER: PP17L
MODEL: WM3A2200BG
FCC SUBPART B AND C – CONDUCTED EMISSIONS

**PHOTOGRAPH SHOWING THE EUT CONFIGURATION
FOR MAXIMUM EMISSIONS**

Brea Division
114 Olinda Drive
Brea, CA 92823
(714) 579-0500

Agoura Division
2337 Troutdale Drive
Agoura, CA 91301
(818) 597-0600

Silverado Division
19121 El Toro Road
Silverado, CA 92676
(949) 589-0700

Lake Forest Division
20621 Pascal Way
Lake Forest, CA 92630
(949) 587-0400