



AEGIS LABS INC.



Class II Permissive Change
Test Report
And Application for Grant of Equipment Authorization

Pertaining To:

EUT	FCC ID:
Dell Notebook Computer, MN: PP10S	E2K24GBRL

Configuration
Tested with an Intel PRO/Wireless 2200BG Network Connection, MN: WM3A2200BG With a set of Wistron NeWeb Corp. And Phycomp Antennas

MEASUREMENTS PERFORMED IN ACCORDANCE WITH

Regulatory Standard(s)
47 CFR Part 15, Subpart C Section 15.247
Test Method: ANSI C63.4: 2003 American National Standard for Methods of Measurement of Radio-Noise Emissions from Low-Voltage Electrical and Electronic Equipment in the Range of 9 kHz to 40 GHz



Certificate Number: 1111.01

APPLICANT:

Dell Computer Corporation
One Dell Way
Round Rock, TX 78682

Contact(s): Mr. Jason Limoges

PREPARED BY:

Aegis Labs, Inc.
22431 Antonio Parkway B160-417
Rancho S. Margarita, CA 92688

Agent(s): Mr. Steve Kuiper
Mr. Rick Candelas
Mr. Johnny Candelas

Test Report #: INTEL-050103F
Test Report Revision: None

	REPORT BODY	APPENDICES <i>A</i>	TOTAL PAGES
PAGES	17	71	88

The contents of this report shall not be reproduced except in full, without the written approval of Aegis Labs, Inc.

Page 1 of 17
Report Number: INTEL-050103F
FCC ID: E2K24GBRL



TABLE OF CONTENTS

SECTION	TITLE	PAGE
	COVER SHEET.....	01
	TABLE OF CONTENTS.....	02
1.0	CERTIFICATION OF TEST DATA.....	03
2.0	SUMMARY OF TEST RESULTS.....	05
3.0	ADMINISTRATIVE DATA AND TEST DESCRIPTION.....	06
4.0	DESCRIPTION OF EUT.....	07
4.1	EUT Description.....	07
4.1.1	Channel Number and Frequencies.....	08
4.2	EUT Configuration.....	09
4.3	List of EUT Sub-Assemblies and Host Equipment.....	10
4.4	I/O Cabling Diagram and Description.....	11
5.0	TEST EQUIPMENT AND TEST SETUPS.....	12
5.1	AC Power Line Conducted Emissions.....	12
5.2	Spurious Radiated Emissions.....	13
5.3	Conducted Emissions At The Antenna Port.....	13
5.4	Test and Measurement Equipment Used.....	14
6.0	SAMPLE CALCULATIONS.....	15
7.0	MODIFICATIONS AND RECOMMENDATIONS.....	17

APPENDICES

A	Test Data
----------	-----------



AEGIS LABS INC.

1.0 CERTIFICATION OF TEST DATA

Aegis Labs, Inc. operates as both a Nevada and California Corporation with no organizational or financial relationship with any company, institution, or private individual.

Testing and engineering functions provided by Aegis Labs are furnished through the use of part-time, full-time or consulting engineers with the appropriate qualifications to carry out their duties. The intended purpose of this test report is to describe the measurement procedure and to determine whether the equipment under test "EUT" complies with both the conducted and radiated limits. Limits for emissions testing are described under Subpart C of Part 15 of the FCC rules.

The data, data evaluation and equipment configuration represented herein are a true and accurate representation of the Equipment Under Test (EUT) under the requirements specified in the emissions standard as described below. The test results contained in this report are only representative of the test sample tested as described in Section 3.0 of this report. Certification of the EUT is required as a prerequisite to marketing as defined in Part 2 of the FCC Rules.

Prepared By:

Johnny Candelas
Staff Engineer
Aegis Labs, Inc.

01/19/05
Date:

Reviewed By:

Rick Candelas
Lab Manager
Aegis Labs, Inc.

01/19/05
Date:

Report Approved By:

Steve J. Kuiper
Quality Assurance Manager
Aegis Labs, Inc.

01/19/05
Date:



2.0 SUMMARY OF TEST RESULTS

The test results provided within this report, indicate that the EUT has been found to be in **COMPLIANCE** with the test specifications based upon the following RF compliance standards:

Pass/Fail determination is based upon the nominal values of the test data.

802.11b Mode (2412-2462 MHz)

EMISSIONS STANDARD			
FCC Part 15 Section	Description	Results	Comments
15.247(a)(2)	The minimum 6dB bandwidth shall be at least 500 kHz.	PASSED	2412 MHz = 9.50 MHz 2437 MHz = 10.00 MHz 2462 MHz = 9.58 MHz
15.247(b)(1)	The maximum peak output power of the intentional radiator shall not exceed 1 watt.	PASSED	2412 MHz = 16.25 dBm = 42.17 mW 2437 MHz = 17.15 dBm = 51.88 mW 2462 MHz = 16.30 dBm = 42.66 mW
15.247(b)(4)	The intentional radiator shall be operated in a manner that ensures that the public is not exposed to radio frequency energy levels in excess of the FCC guidelines per Section 1.1307(b)(1).	PASSED	Refer to SAR Test Report
15.247(c)	In any 100 kHz bandwidth outside the frequency band in which the spread spectrum intentional radiator is operating, the radio frequency power that is produced by the intentional radiator shall be at least 20 dB below that in the 100 kHz bandwidth within the band that contains the highest level of the desired power.	PASSED	See Data Sheets
15.247(c)	Radiated emissions, which fall in the restricted bands, as defined in Sec. 15.205(a), must also comply with the radiated emission limits specified in Sec. 15.209(a). All others must be < -20dBc.	PASSED	See Data Sheets
15.247(d)	The peak power spectral density conducted from the intentional radiator to the antenna shall not be greater than 8 dBm in any 3 kHz band during any time interval of continuous transmission.	PASSED	2412 MHz = -9.67 dB 2437 MHz = -9.67 dB 2462 MHz = -10.17 dB
15.207	AC Conducted Emissions	PASSED	See Data Sheet
15.209	Radiated Emissions (30-1000 MHz)	PASSED	See Data Sheet



AEGIS LABS INC.

2.0 Summary of Test Results (Continued)

The test results provided within this report, indicate that the EUT has been found to be in **COMPLIANCE** with the test specifications based upon the following RF compliance standards:

Pass/Fail determination is based upon the nominal values of the test data.

802.11g Mode (2412-2462 MHz)

EMISSIONS STANDARD			
FCC Part 15 Section	Description	Results	Comments
15.247(a)(2)	The minimum 6dB bandwidth shall be at least 500 kHz.	PASSED	2412 MHz = 16.42 MHz 2437 MHz = 16.50 MHz 2462 MHz = 16.25 MHz
15.247(b)(1)	The maximum peak output power of the intentional radiator shall not exceed 1 watt.	PASSED	2412 MHz = 16.30 dBm = 42.66 mW 2437 MHz = 16.00 dBm = 39.81 mW 2462 MHz = 16.05 dBm = 40.27 mW
15.247(b)(4)	The intentional radiator shall be operated in a manner that ensures that the public is not exposed to radio frequency energy levels in excess of the FCC guidelines per Section 1.1307(b)(1).	PASSED	Refer to SAR Test Report
15.247(c)	In any 100 kHz bandwidth outside the frequency band in which the spread spectrum intentional radiator is operating, the radio frequency power that is produced by the intentional radiator shall be at least 20 dB below that in the 100 kHz bandwidth within the band that contains the highest level of the desired power.	PASSED	See Data Sheets
15.247(c)	Radiated emissions, which fall in the restricted bands, as defined in Sec. 15.205(a), must also comply with the radiated emission limits specified in Sec. 15.209(a). All others must be < -20dBc.	PASSED	See Data Sheets
15.247(d)	The peak power spectral density conducted from the intentional radiator to the antenna shall not be greater than 8 dBm in any 3 kHz band during any time interval of continuous transmission.	PASSED	2412 MHz = -16.83 dB 2437 MHz = -19.33 dB 2462 MHz = -18.33 dB
15.207	AC Conducted Emissions	PASSED	See Data Sheet
15.209	Radiated Emissions (30-1000 MHz)	PASSED	See Data Sheet

Page 5 of 17

Report Number: INTEL-050103F

FCC ID: E2K24GBRL



AEGIS LABS INC.

3.0 ADMINISTRATIVE DATA AND TEST DESCRIPTION

DEVICE TESTED:	ITE Type: Dell Notebook Computer Model Number(s): PP10S Serial Number: JCXQ4A00288 FCC ID: E2K24GBRL
TEST DATE(S):	January 3- January 12, 2005
DATE EUT RECEIVED:	December 21, 2004
ORIGIN OF TEST SAMPLE(S):	Production Unit
RESPONSIBLE PARTY:	Dell Computer Corporation One Dell Way Round Rock, TX 78682
CLIENT CONTACT:	Mr. Jason Limoges
MANUFACTURER:	Dell Computer Corporation
TEST LOCATION:	Aegis Labs, Inc. 32231 Trabuco Creek Road Trabuco Canyon, CA 92678 Conducted Site #2 Radiated Site #2
A2LA CERTIFICATE:	1111.01, Valid through February 28, 2006
PURPOSE OF TEST:	To demonstrate compliance with the relevant standards described in Section 2.0 of this report.
TEST(S) PERFORMED:	Refer to Table in Section 2.0 of this report.

All calibration vendors were responsible for certifying Aegis Labs, Inc. test equipment as per the manufacturer's specifications and that the equipment is calibrated using instruments and standards where the accuracy is traceable to the National Institute of Standards and Technology (NIST). Calibration of all test equipment conforms to ANSI/NCSL Z540-1 and ISO 10012-1 and/or ISO/IEC Guide 17025 compliance (Additionally, other pertinent test equipment will carry MIL-STD-45662A). All calibration documents are on file with Aegis Labs, Inc., with copies provided upon request.

Page 6 of 17
Report Number: INTEL-050103F
FCC ID: E2K24GBRL



4.0 DESCRIPTION OF EUT

4.1 EUT Description

Equipment Under Test (EUT)	
Trade Name:	Dell Notebook Computer
Model Number:	PP10S tested with an Intel PRO/Wireless 2200BG Network Connection, MN: WM3A2200BG
Frequency Range:	802.11b/g = 2412 – 2462MHz
Type of Transmission:	Direct Sequence Spread Spectrum
Transfer Rate:	1/5.5/11 Mbps for 802.11b mode 6/36/54 Mbps for 802.11g mode
Number of Channels:	802.11b mode (2400-2483.5 MHz) = 11 802.11g mode (2400-2483.5 MHz)= 11
Modulation Type:	DBPSK, DQPSK, CCK, OFDM
Antenna Type:	<u>Wistron NeWeb Corp.:</u> PIFA (Main/Aux) <u>Phycomp:</u> Inverted F (Main/Aux)
Antenna Gain (See Note 2):	<u>Wistron NeWeb Corp.:</u> 2.4 GHz = 0.97 (Main), 0.0 (Aux) dBi <u>Phycomp:</u> 2.4 GHz = 0.57 (Main), 0.57 (Aux) dBi
Transmit Output Power:	17 dBm (Typical) for 802.11b mode 16 dBm (Typical) for 802.11g mode Please see Appendix A (Data Sheets) for actual output power.
Power Supply:	3.3VDC from computer MPCPI slot.
Number of External Test Ports Exercised:	2 Antenna Ports (1 Main & 1 Auxiliary)

The Dell Notebook Computer was tested with an Intel PRO/Wireless 2200BG Network Connection as an embedded 2.4 GHz Wireless Local Area Network Mini-PCI adapter. The Mini-PCI Type 3A form factor is designed for notebook computer systems where overall thickness must be kept to an absolute minimum and connect to antennas internal to the notebook computer. It is capable of a data rate of up to 52 Mbps.

NOTE 1: For a more detailed description, please refer to the manufacture's specifications or User's Manual.

NOTE 2: The EUT was tested with a set of antennas. (Refer to the antenna specifications exhibits).



4.1.1 Channel Number and Frequencies

802.11b Mode		802.11g Mode	
Channel	Frequency (MHz)	Channel	Frequency (MHz)
1	2412	1	2412
2	2417	2	2417
3	2422	3	2422
4	2427	4	2427
5	2432	5	2432
6	2437	6	2437
7	2442	7	2442
8	2447	8	2447
9	2452	9	2452
10	2457	10	2457
11	2462	11	2462



AEGIS LABS INC.

4.2 EUT Configuration

The EUT was tested with an Intel PRO/Wireless 2200BG Network Connection installed in its mini PCI slot and was connected to a set of Wistron NeWeb Corp. And Phycomp triple band antennas via its main and auxiliary antenna ports. Data can be found in Appendix A.

For conducted emissions at the AC mains port and radiated emissions, the EUT was connected to a Dell monitor and Logitech mouse via its video and USB ports respectively.

The low, middle, and high channels were tested in 802.11b & g modes. Also, the EUT was tested once transmitting from the MAIN antenna port and once transmitting from the AUX antenna port. The EUT was placed in either continuous transmit or continuous receive mode by a program provided by the manufacturer (*CRTU Version 2.2.9.3000*).



AEGIS LABS INC.

4.3 List of EUT, Sub-Assemblies, and Host Equipment

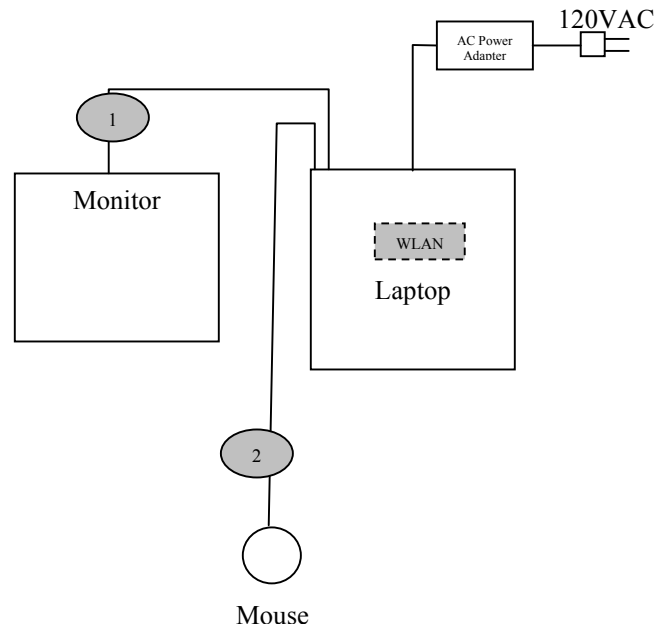
LIST OF EUT AND SUB-ASSEMBLIES			
Equipment Name	Manufacturer	Model Number	Serial Number
Dell Notebook Computer	Dell Computer Corporation	PP10S	JCXQ4A00288
EUT Sub-Assemblies			
Intel PRO/Wireless 2200BG Network Connection	Intel Corporation	WM3A2200BG	MY-0W3510-43950-43M-DHGS
Auxiliary Triple Band Antenna	Wistron NeWeb Corp.	T2/ED7-Q/DQ671500100	N/A
Main Triple Band Antenna	Wistron NeWeb Corp.	T2/ED7-Q/DQ671500100	N/A
Auxiliary Triple Band Antenna	Phycomp	CAN4313384012501B	N/A
Main Triple Band Antenna	Phycomp	CAN4313384012501B	N/A

HOST EQUIPMENT LIST			
Equipment Name	Manufacturer	Model Number	Serial Number
LCD Monitor	Dell	E151FPp	CN-06R644-47804-34R-LATL
Mouse	Logitech	M-BJ58	LNA22802012

NOTE: All the power cords of the above support equipment are standard non-shielded, 1.8 meters long.



4.4 I/O Cabling Diagram and Description



- Cable 1: This is a 6-foot braid and foil shielded round cable connecting the Dell Notebook Computer with the Dell LCD monitor. It has metallic DB-15 type connector at the computer end and is hardwired to the monitor. The cable is bundled to a length of one meter and the shield of the cable is grounded to the chassis of both devices via the connector shells.
- Cable 2: This is a 6-foot braid and foil shielded round cable connecting the Dell Notebook Computer to the Logitech mouse. It has a metallic USB-B type connector at the computer end and is hardwired to the mouse. The shield of the cable is grounded to the chassis of the computer via the connector shell.



AEGIS LABS INC.

5.0 TEST EQUIPMENT AND TEST SETUPS

The test equipment settings and functions are selected using the guidance of ANSI C63.4: 2003. All test equipment setups and operations during conducted and radiated emissions testing are in accordance with this reference document.

5.1 AC Power Line Conducted Emissions

During conducted emissions measurements, a spectrum analyzer was used as the measuring instrument along with a preselector and quasi-peak detector. A 10 dB attenuation pad was used for the protection of the spectrum analyzer input stage. The conducted emissions from the EUT in the frequency range from 150 kHz to 30 MHz were captured for graphical display through the use of automated LABVIEW EMI measurement software. All graphical readings were measured in the “Peak” mode only to reduce testing time. Upon completion of the graphical scan, the test lab personnel performed the conducted measurement scan manually using the spectrum analyzer front panel keys. All peak measurements coming within 3 dB of the limit line were “Averaged” and/or “Quasi-Peaked” and denoted appropriately in the EXCEL spreadsheet.

The Equipment Under Test (EUT) was configured as a system with peripherals connected, so that at least one interface port of each type is connected to one external peripheral when tested for conducted emissions according to ANSI C63.4: 2003. Excess power cord length was wrapped in a bundle 30 to 40 centimeters in length near the center of the cord. The EUT was tested in a tabletop configuration.

The emission readings for Line 1 and Line 2 are highlighted on the data sheets in Appendix A. The graphical scans only reflect peak readings while the tabulated data sheets reflect peak, average, and/or quasi-peak readings which ever applies.



AEGIS LABS INC.

5.2 Spurious Radiated Emissions

A spectrum analyzer was used as the measuring instrumentation along with a preselector and quasi-peak-detector. The pre-amplifiers were used to increase the sensitivity of the instrument. The spectrum analyzer was used in the peak detector mode with the “max-hold” feature activated and in Positive Peak mode. In this mode, the spectrum analyzer records the highest measured reading over all the sweeps. The quasi-peak detector was used only for those readings, which are marked accordingly in the data sheet. The effective measurement bandwidth used for the radiated emissions test was 120 kHz for (30 MHz- 1000 MHz). The spectrum analyzer operated such that the modulation of the signal was filtered out to set the analyzer in linear mode. For testing beyond 1000 MHz a spectrum analyzer capable of taking reading above 1000 MHz was connected to the high frequency amplifier, where these measurement readings were taken with the transducer placed at a 3-meter test distance from the EUT.

The Open Area Test Sites (OATS) was used for radiated emission testing. These test sites are designed according to ANSI C63.4: 2003 and ANSI C63.7: 1992 guidelines. The Measurements were conducted in accordance with ANSI C63.4: 2003 and ANSI C63.7: 1992 requirements.

Broadband biconical, log periodic, and horn antennas were used as transducers during the measurement reading phase. The frequency spans were wide (30 MHz-88 MHz, 88 MHz- 216 MHz, 216 MHz- 300 MHz, and 300 MHz- 1000 MHz). After 1000 MHz the horn antenna was used to measure emissions. The emission readings in both horizontal and vertical polarities are highlighted on the data sheets in Appendix A.

5.3 Conducted Emissions at the Antenna Port

A spectrum analyzer or power meter was used as the measuring instrumentation along with an attenuator and/or filter connected to the EUT antenna port. The attenuator and filters are used to ensure that the front end of the measurement instrument is not overloaded by the fundamental transmission. . The instruments recorded the measured readings with the bandwidths (video and resolution) set in accordance with the FCC Rules and regulations.

For the power out measurements in 802.11b and 802.11g modes a peak power meter was used along with a peak power sensor with a wide enough bandwidth to capture the entire fundamental transmission. For 802.11a mode a spectrum analyzer with “Channel Power Measurement” function was used to measure the peak output power.

The measured readings are on the data sheets in Appendix A.

Page 13 of 17

Report Number: INTEL-050103F

FCC ID: E2K24GBRL



AEGIS LABS INC.

5.4 Test and Measurement Equipment Used

TEST EQUIPMENT USED					
Equipment Name	Manufacturer	Model Number	Serial Number	Calibration Due Date	Calibration Cycle
EMI Receiver - RF Section	Hewlett Packard	85462A	3325A00137	03/29/05	1 Year
EMI Receiver – RF Filter Section	Hewlett Packard	85460A	3330A00138	03/29/05	1 Year
Attenuator - 5W-10dB	Pasternack	PE7014-10	N/A	11/01/05	1 Year
LISN (EUT)	FCC	FCC-LISN-50-25-2	9931	02/06/05	1 Year
LISN (Access)	Com-Power	LI-200	12019	01/25/05	1 Year
LISN (Access)	Com-Power	LI-200	12018	01/25/05	1 Year
Spectrum Analyzer	Agilent	8564EC	4046A00387	02/06/06	2 Years
Preamplifier	Miteq	JS42-01001800-25-10P	815980 & 884968 & 885090	12/01/05	2 Years
2400-2483.5 MHz Notch Filter	Micro-Tronics	BRM50702-02	003	04/21/06	2 Years
5725-5850 MHz Notch Filter	Microwave Circuits, Inc.	N0257881	3173-01	06/27/05	2 Years
Antenna - Biconical	EMCO	3110	9108-1421	02/11/05	1 Year
Antenna - Log Periodic	EMCO	3148	4947	02/11/05	1 Year
1-18 GHz Antenna - Horn	Com-Power	AH-118	10069	12/01/05	2 Years
18-26.5 GHz Preamplified Antenna – Horn	Custom Microwave	H042	001	11/01/05	1 Year
26.5-40 GHz Preamplified Antenna – Horn	Custom Microwave	H028	GM1260-10	11/01/05	1 Year
Power Meter	Anritsu	ML2487A	6K00001785	04/05/05	2 Years
Wide Bandwidth Sensor	Anritsu	MA2491A	31193	04/05/05	2 Years

Page 14 of 17
 Report Number: INTEL-050103F
 FCC ID: E2K24GBRL



6.0 SAMPLE CALCULATIONS

If a preamplifier is used during the Radiated Emissions Testing, it is required that the amplifier gain be subtracted from the Spectrum Analyzer (Meter) Reading. In addition, a correction factor for the antenna, cable and a distance factor, if any, must be applied to the Meter Reading before a true field strength reading can be obtained. In the Automatic Mode of A.R.M.S. measurements, these considerations are automatically presented as a part of the printout. In the case of manual measurements and for greater efficiency and convenience, usage of the calibration correction factors in the Appendices is necessary to calculate the Corrected Meter Reading. These correlation factors for each meter reading, shall be modified to reflect these correlation factors at each frequency value so that the meter readings can be compared directly to the modified specification limit. This modified specification limit is referred to as the “Corrected Meter Reading Limit” (CML).

The equation shall be derived in the following manner:

$$\text{Corrected Meter Reading} = \text{Meter Reading} + F + C - G - D$$

Where, F = Antenna Factor

C = Cable Factor

G = Amplifier Gain

D = Distance Factor

Therefore, the equation for determining the Corrected Meter Reading Limit (CML) is:

$$\text{CML} = \text{Specification Limit} - F - C + G + D$$

For the manual mode of measurement, a table of corrected meter reading limits shall be used to permit immediate comparison of the meter reading to determine if the measured emission amplitude exceeded the specification limit at that specific frequency. There shall be two calculation sheets done, one for three meter and one for ten-meter measurement distances, where applicable. The correction factors for the antenna and the amplifier gain are attached in the Appendices.



AEGIS LABS INC.

6.0 Sample Calculations (Continued)

Peak Transmit Power Output:

A correction factor for the cable must be applied to the Conducted Power before a true power reading can be obtained. This is referred to as the “Corrected Power” (CP).

The equation shall be derived in the following manner:

Corrected Power Reading = Conducted Power Reading + C

Where, C = Cable Factor

The conducted power is taken in units of dBm. To obtain units of mW the following equation is used:

$$\text{mW} = 10^{(\text{dBm}/10)}$$



AEGIS LABS INC.

7.0 MODIFICATIONS AND RECOMMENDATIONS

No modifications were made to the EUT.

Page 17 of 17
Report Number: INTEL-050103F
FCC ID: E2K24GBRL



AEGIS LABS INC.

APPENDIX A

TEST DATA

*Page 1 of 71(Appendix A)
Report Number: INTEL-050103F
FCC ID: E2K24GBRL*



AEGIS LABS INC.

AC POWER LINE CONDUCTED EMISSIONS TEST RESULTS

CLIENT:	Dell Computer Corporation	DATE:	01/28/05
EUT:	Dell Notebook Computer	PROJECT NUMBER:	INTEL-050103-12
MODEL NUMBER:	PP10S	TEST ENGINEER:	JC
SERIAL NUMBER:	JCXQ4A00288	SITE #:	1
CONFIGURATION:	Tested with an Intel PRO/Wireless 2200BG Network Connection installed in its mini PCI slot and connected to a set of Wistron NeWeb Corp. antennas.	TEMPERATURE:	18 C
		HUMIDITY:	38% RH
		TIME:	4:00 PM

Standard:	FCC CFR 47, Part 15.207
Description:	AC Power Line Conducted Emissions
Results:	Passes the conducted limits by -2.24 @ 0.1521 MHz

Conducted Limits		
Frequency (MHz)	Quasi-Peak Limit (dBuV)	Average Limit (dBuV)
0.15-0.5	66 to 56*	56 to 46*
0.5-5	56	46
5-30	60	50

*Decreases with the logarithm of the frequency.

NOTE: During preliminary scans, there wasn't any difference which channel or data rate was used with the EUT; therefore only Channel 1 at a data rate of 1 Mbps was used for final testing. Also, the scan was only done with the Wistron NeWeb Corp. set of antennas.

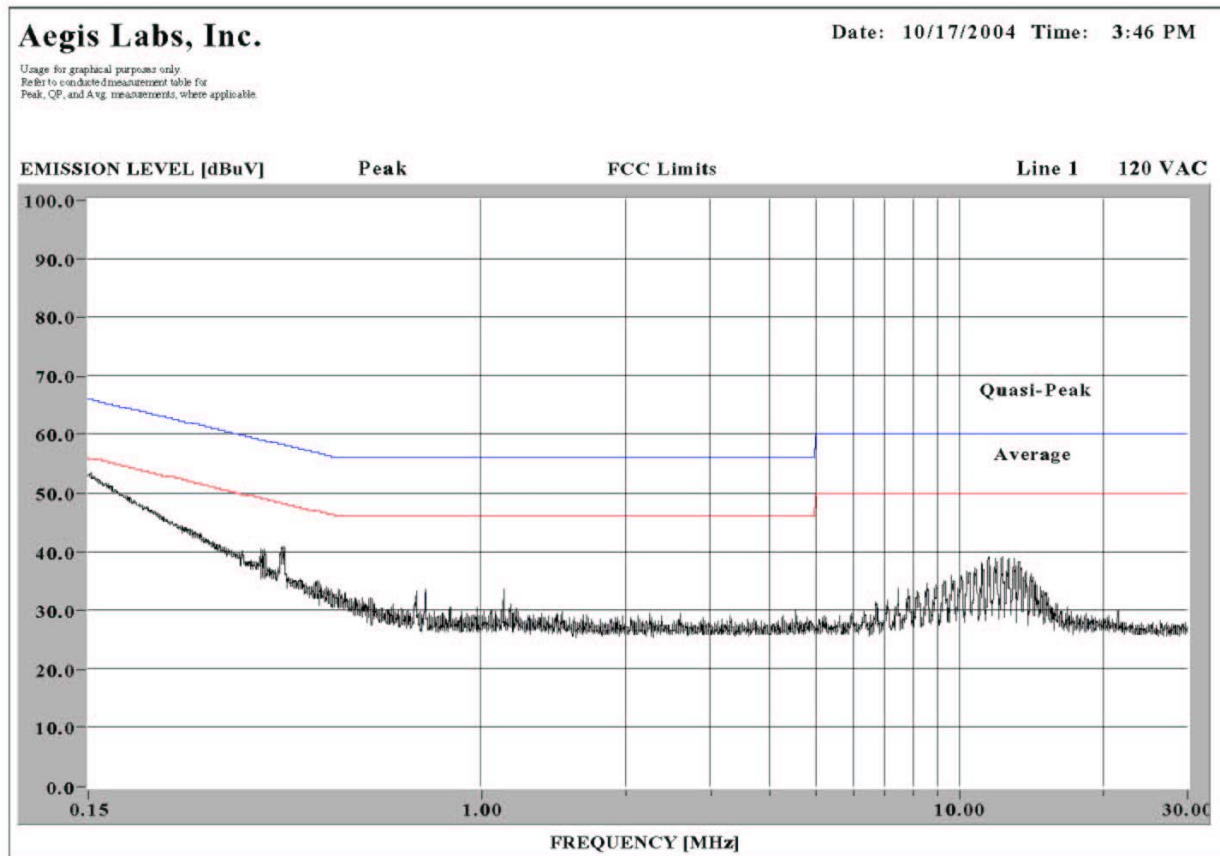
Page 2 of 71(Appendix A)
Report Number: INTEL-050103F
FCC ID: E2K24GBRL



AC Power Line Conducted Emissions Test Results (Continued)

AEGIS LABS INC.

CONDUCTED EMISSIONS – LINE 1						
Freq. (MHz)	Meter Reading (dBuV)	Detector (PK/QP/AV)	Average Limit (dBuV)	Average Delta (dB)	Quasi-Peak Limit (dBuV)	Quasi-Peak Delta (dB)
0.1521	52.90	PK	55.94	-3.04	65.94	-13.04
0.1650	52.50	PK	55.57	-3.07	65.57	-13.07
0.1902	49.80	PK	54.85	-5.05	64.85	-15.05
0.2412	46.40	PK	53.39	-6.99	63.39	-16.99
5.0600	36.40	PK	46.00	-9.60	56.00	-19.60
13.4450	40.70	PK	46.00	-5.30	56.00	-15.30



RBW = 100 kHz, VBW = 100 kHz

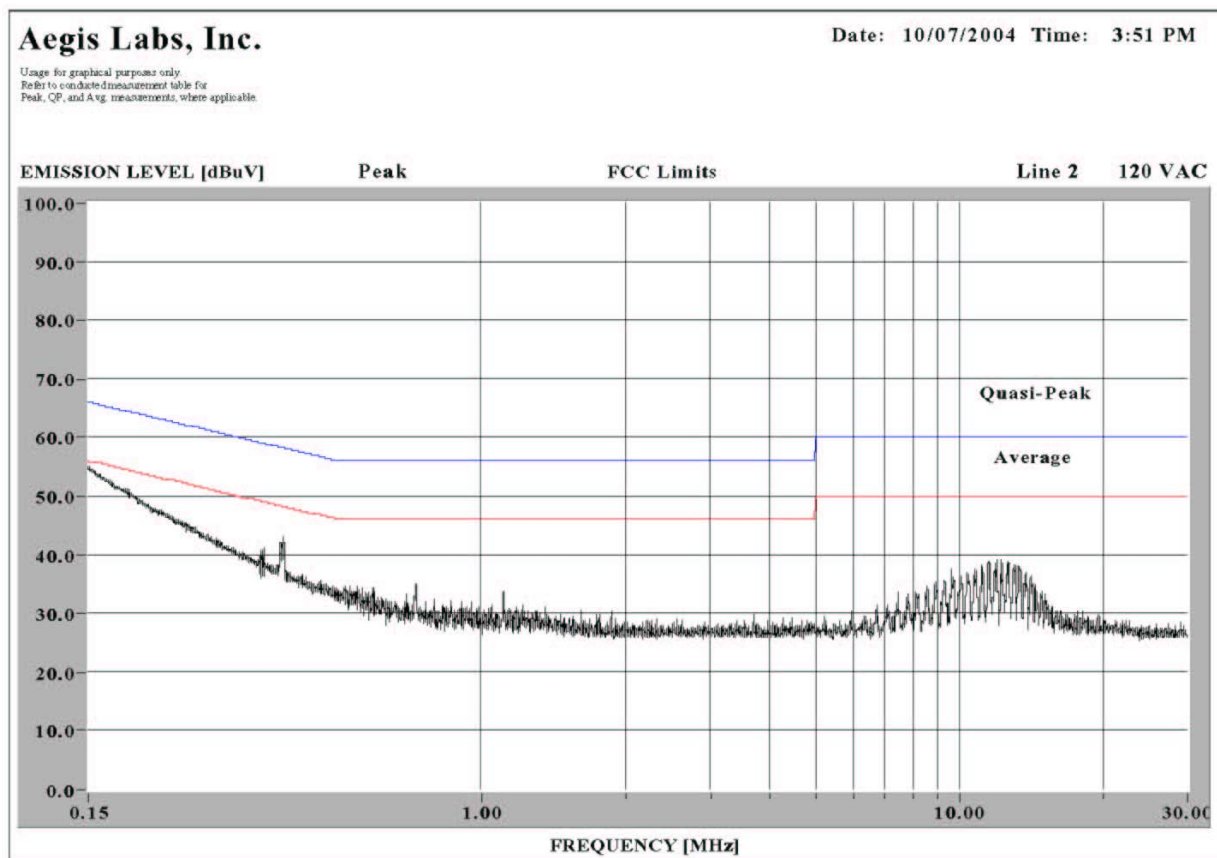
Page 3 of 71 (Appendix A)
Report Number: INTEL-050103F
FCC ID: E2K24GBRL



AC Power Line Conducted Emissions Test Results (Continued)

AEGIS LABS INC.

CONDUCTED EMISSIONS - LINE 2						
Freq. (MHz)	Meter Reading (dBuV)	Detector (PK/QP/AV)	Average Limit (dBuV)	Average Delta (dB)	Quasi-Peak Limit (dBuV)	Quasi-Peak Delta (dB)
0.1521	53.70	PK	55.94	-2.24	65.94	-12.24
0.1650	52.40	PK	55.57	-3.17	65.57	-13.17
0.1803	51.30	PK	55.13	-3.83	65.13	-13.83
0.2028	49.30	PK	54.49	-5.19	64.49	-15.19
1.1150	33.90	PK	46.00	-12.10	56.00	-22.10
11.8600	39.60	PK	46.00	-6.40	56.00	-16.40



RBW = 100 kHz, VBW = 100 kHz

Page 4 of 71 (Appendix A)
Report Number: INTEL-050103F
FCC ID: E2K24GBRL



AEGIS LABS INC.

SPURIOUS RADIATED EMISSIONS TEST RESULTS

CLIENT:	Dell Computer Corporation	DATE:	01/28/05
EUT:	Dell Notebook Computer	PROJECT NUMBER:	INTEL-050103-11
MODEL NUMBER:	PP10S	TEST ENGINEER:	JC
SERIAL NUMBER:	JCXQ4A00288	SITE #:	1
CONFIGURATION:	Tested with an Intel PRO/Wireless 2200BG Network Connection installed in its mini PCI slot and connected to a set of Wistron NeWeb Corp. antennas.	TEMPERATURE:	15 C
		HUMIDITY:	34% RH
		TIME:	11:30 AM

Standard:	FCC Pt. 15.209
Description:	Unwanted emissions below 1 GHz must comply with the general field strength limits set forth in Sec. 15.209.
Results:	Passes the radiated limits by $-6.33@ 60.50$ MHz (Horizontal antenna polarization)

Radiated Limits	
Frequency (MHz)	Quasi-Peak Limit (dBuV) @ 10m
30-88	40
88-216	43.5
216-960	46
960-1000	54

NOTE 1: During preliminary scans, there wasn't any difference which channel or data rate was used with the EUT; therefore only Channel 1 at a data rate of 1 Mbps was used for final testing. Also, the scan was only done with the Wistron NeWeb Corp. set of antennas.

NOTE 2: RBW/VBW = 1 MHz

Page 5 of 71(Appendix A)
Report Number: INTEL-050103F
FCC ID: E2K24GBRL



Spurious Radiated Emissions Test Results (Continued)

RADIATED EMISSIONS - Horizontal Antenna Polarization

Freq. (MHz)	Meter Reading (dBuV)	Antenna Height (cm)	Azimuth (degrees)	Peak, Quasi pk or AVG (dBuV)		Preamp Factor (dB)	Cable Factor (dB)	Ant. Factor (dB)	10 Meter Distance Factor (dB)	Corrected Reading (dBuV)	Limits (dBuV)	Diff (dB) +=FAIL
60.13	34.90	300	180		PK	34.40	1.20	8.38	10.46	20.54	40.00	-19.46
129.67	35.30	400	135		PK	34.35	1.93	14.27	10.46	27.61	43.50	-15.89
144.38	43.00	400	90	40.12	QP	34.32	2.00	14.92	10.46	33.17	43.50	-10.33
336.05	35.20	250	90		PK	34.10	3.22	15.06	10.46	29.84	46.00	-16.16
364.85	35.70	250	135		PK	34.06	3.36	15.11	10.46	30.57	46.00	-15.43
388.73	46.00	200	270	41.56	QP	34.03	3.45	15.13	10.46	36.57	46.00	-9.43

RADIATED EMISSIONS - Vertical Antenna Polarization

Freq. (MHz)	Meter Reading (dBuV)	Antenna Height (cm)	Azimuth (degrees)	Peak, Quasi pk or AVG (dBuV)		Preamp Factor (dB)	Cable Factor (dB)	Ant. Factor (dB)	10 Meter Distance Factor (dB)	Corrected Reading (dBuV)	Limits (dBuV)	Diff (dB) +=FAIL
60.50	47.80	100	180		PK	34.40	1.21	8.60	10.46	33.67	40.00	-6.33
129.11	43.80	100	135		PK	34.35	1.92	12.54	10.46	34.37	43.50	-9.13
143.90	43.60	100	90	40.33	QP	34.33	2.00	14.39	10.46	32.85	43.50	-10.65
336.04	35.20	100	0		PK	34.10	3.22	15.54	10.46	30.31	46.00	-15.69
364.58	33.70	100	90		PK	34.06	3.36	15.34	10.46	28.80	46.00	-17.20
388.89	44.40	100	90	39.57	QP	34.03	3.46	15.86	10.46	35.31	46.00	-10.69

NOTE: The measurements were taken at 10 meters and extrapolated to 3 meters.

NOTE 2: The measurements are Peak readings unless otherwise specified.



AEGIS LABS INC.

Spurious Radiated Emissions Test Results (Continued)

CLIENT:	Dell Computer Corporation	DATE:	01/06/05
EUT:	Dell Notebook Computer	PROJECT NUMBER:	INTEL-050103
MODEL NUMBER:	PP10S	TEST ENGINEER:	JC
SERIAL NUMBER:	JCXQ4A00288	SITE #:	2
CONFIGURATION:	Tested with an Intel PRO/Wireless 2200BG Network Connection installed in its mini PCI slot and connected to a set of Phycomp antennas in 802.11b (2412-2462 MHz) mode.	TEMPERATURE:	20 C
		HUMIDITY:	29% RH
		TIME:	2:15 PM

Standard:	FCC CFR 47, Part 15.247(c)
Description:	Radiated emissions, which fall in the restricted bands, as defined in Sec. 15.205(a), must also comply with the radiated emission limits specified in Sec. 15.209(a). All others must be < -20dBc.
Results:	Passes (See Data Sheets)

Unwanted Spurious Emissions Limits

Frequency (MHz)	Field Strength (uV/m)	Field Strength (dBuV/m) (Emissions in the restricted bands)	Field Strength (dBm/MHz) (Emissions outside the restricted bands)
Above 960	500	54.00 (Average) 74.00 (Peak)	< -20 dBc

Page 7 of 71(Appendix A)
Report Number: INTEL-050103F
FCC ID: E2K24GBRL



Spurious Radiated Emissions Test Results (Continued)

*Fundamental Measurements in 802.11b mode (2412-2462 MHz)
Channels 1, 6, & 11
Continuous TX at MAIN Antenna port with Phycomp Antennas
Aegis Labs, Inc. File #: INTEL-050103-04*

RADIATED EMISSIONS - Horizontal Antenna Polarization											
<i>Freq. (MHz)</i>	<i>Meter Reading (dBuV)</i>	<i>Antenna Height (cm)</i>	<i>Azimuth (degrees)</i>	<i>Quasi pk or AVG (dBuV)</i>		<i>Preamp Factor (dB)</i>	<i>Cable Factor (dB)</i>	<i>Ant. Factor (dB)</i>	<i>Corrected Reading (dBuV)</i>		<i>Note</i>
2412.00	76.00	100	135				3.02	29.22	108.25		Ch. 1
2412.00				72.27	A		3.02	29.22	104.52		
2437.00	75.67	100	135				3.04	29.27	107.98		Ch. 6
2437.00				72.00	A		3.04	29.27	104.31		
2462.00	75.33	100	45				3.06	29.32	107.71		Ch. 11
2462.00				71.18			3.06	29.32	103.56		

RADIATED EMISSIONS – Vertical Antenna Polarization											
<i>Freq. (MHz)</i>	<i>Meter Reading (dBuV)</i>	<i>Antenna Height (cm)</i>	<i>Azimuth (degrees)</i>	<i>Quasi pk or AVG (dBuV)</i>		<i>Preamp Factor (dB)</i>	<i>Cable Factor (dB)</i>	<i>Ant. Factor (dB)</i>	<i>Corrected Reading (dBuV)</i>		<i>Note</i>
2412.00	73.50	100	90				3.02	29.42	105.95		Ch. 1
2412.00				69.80	A		3.02	29.42	102.25		
2437.00	74.17	175	90				3.04	29.47	106.68		Ch. 6
2437.00				70.53	A		3.04	29.47	103.04		
2462.00	72.00	125	90				3.06	29.52	104.58		Ch. 11
2462.00				67.76	A		3.06	29.52	100.34		

NOTE: Fundamental signals measured to calculate the band edge field strengths using the “Marker Delta Method”.



Spurious Radiated Emissions Test Results (Continued)

*Band Edge Field Strength Measurements in 802.11b mode (2412-2462 MHz)
Channels 1, 6, & 11
Continuous TX at MAIN Antenna port with Phycomp Antennas
Aegis Labs, Inc. File #: INTEL-050103-04*

RADIATED EMISSIONS - Horizontal Antenna Polarization

Freq. (MHz)	Meter Reading (dBuV)	Antenna Height (cm)	Azimuth (degrees)	Quasi pk or AVG (dBuV)	Preamp Factor (dB)	Cable Factor (dB)	Ant. Factor (dB)	Corrected Reading (dBuV)	Limits (dBuV)	Diff (dB) +=FAIL	Note
2390.00								53.41	74.00	-20.59	Ch. 1
2390.00								44.02	54.00	-9.98	
2386.00								58.58	74.00	-15.42	
2386.00								53.52	54.00	-0.48	
2400.00	40.50	100	135			3.02	29.20	72.72	88.25	-15.53	
2483.50								54.05	74.00	-19.95	Ch. 11
2483.50								44.90	54.00	-9.10	
2488.00								58.55	74.00	-15.45	
2488.00								53.06	54.00	-0.94	

RADIATED EMISSIONS - Vertical Antenna Polarization

Freq. (MHz)	Meter Reading (dBuV)	Antenna Height (cm)	Azimuth (degrees)	Quasi pk or AVG (dBuV)	Preamp Factor (dB)	Cable Factor (dB)	Ant. Factor (dB)	Corrected Reading (dBuV)	Limits (dBuV)	Diff (dB) +=FAIL	Note
2390.00								51.11	74.00	-22.89	Ch. 1
2390.00								41.75	54.00	-12.25	
2386.00								56.28	74.00	-17.72	
2386.00								51.25	54.00	-2.75	
2400.00	37.83	100	90			3.02	29.40	70.25	85.95	-15.70	
2483.50								50.92	74.00	-23.08	Ch. 11
2483.50								41.68	54.00	-12.32	
2488.00								55.42	74.00	-18.58	
2488.00								49.84	54.00	-4.16	

NOTE: The "Band Edge Field Strength" was calculated using the "Fundamental" and "Conducted Band Edge" measurements per the "Marker-Delta Method" with the following formula:

$$BE = Fm - \Delta m$$

Where

BE = Band Edge Field Strength

Fm = Measured Fundamental (Peak or Average)

Δm = Measured Conducted Band Edge Delta (Peak or Average)



Spurious Radiated Emissions Test Results (Continued)

*Spurious Emissions Measurements in 802.11b mode (2412-2462 MHz)
 Channels 1, 6, & 11
 Continuous TX at MAIN Antenna port with Phycomp Antennas
 Aegis Labs, Inc. File #: INTEL-050103-05*

RADIATED EMISSIONS - Horizontal Antenna Polarization												
Freq. (MHz)	Meter Reading (dBuV)	Antenna Height (cm)	Azimuth (degrees)	Quasi pk or AVG (dBuV)		1 Meter Distance Factor (dB)	Cable Factor (dB)	Ant. Factor (dB)	Corrected Reading (dBuV)	Limits (dBuV)	Diff (dB) +=FAIL	Note
2312.00	32.67	100	135			9.54	2.96	29.02	55.11	74.00	-18.89	Ch. 1
2312.00				22.35	A	9.54	2.96	29.02	44.79	54.00	-9.21	
2336.00	32.33	100	225			9.54	2.98	29.07	54.84	74.00	-19.16	Ch. 6
2336.00				20.86	A	9.54	2.98	29.07	43.37	54.00	-10.63	
2360.00	31.83	100	135			9.54	2.99	29.12	54.40	74.00	-19.60	Ch. 11
2360.00				18.50	A	9.54	2.99	29.12	41.07	54.00	-12.93	

RADIATED EMISSIONS - Vertical Antenna Polarization												
Freq. (MHz)	Meter Reading (dBuV)	Antenna Height (cm)	Azimuth (degrees)	Quasi pk or AVG (dBuV)		1 Meter Distance Factor (dB)	Cable Factor (dB)	Ant. Factor (dB)	Corrected Reading (dBuV)	Limits (dBuV)	Diff (dB) +=FAIL	Note
2312.00	32.33	100	135			9.54	2.96	29.22	54.97	74.00	-19.03	Ch. 1
2312.00				20.77	A	9.54	2.96	29.22	43.41	54.00	-10.59	
2336.00	32.67	100	225			9.54	2.98	29.27	55.38	74.00	-18.62	Ch. 6
2336.00				21.65	A	9.54	2.98	29.27	44.36	54.00	-9.64	
2360.00	31.67	100	135			9.54	2.99	29.32	54.44	74.00	-19.56	Ch. 11
2360.00				17.33	A	9.54	2.99	29.32	40.10	54.00	-13.90	

NOTE: These spurious emissions measurements were taken without a preamp at a distance on 1 meter to avoid saturating the preamp and analyzer because the signals were close to the fundamental frequency. The readings were extrapolated to 1 meter.



AEGIS LABS INC.

Spurious Radiated Emissions Test Results (Continued)

*Spurious Emissions Measurements in 802.11b mode (2412-2462 MHz)
Channels 1, 6, & 11
Continuous TX at MAIN Antenna port with Phycomp Antennas
Aegis Labs, Inc. File #: INTEL-050103-06*

RADIATED EMISSIONS - Horizontal Antenna Polarization												
<i>Freq. (MHz)</i>	<i>Meter Reading (dBuV)</i>	<i>Antenna Height (cm)</i>	<i>Azimuth (degrees)</i>	<i>Quasi pk or AVG (dBuV)</i>		<i>Preamp Factor (dB)</i>	<i>Cable Factor (dB)</i>	<i>Ant. Factor (dB)</i>	<i>Corrected Reading (dBuV)</i>	<i>Limits (dBuV)</i>	<i>Diff (dB) +=FAIL</i>	<i>Note</i>
1000.00	55.33	100	225			42.66	1.93	24.90	39.50	74.00	-34.50	Ch. 1
1000.00				41.57	A	42.66	1.93	24.90	25.74	54.00	-28.26	
3216.00	52.83	100	45			43.07	3.51	30.98	44.24	88.25	-44.01	
4823.95	48.67	100	135			43.27	4.35	34.10	43.85	74.00	-30.15	
4823.95				35.77	A	43.27	4.35	34.10	30.95	54.00	-23.05	
6432.00	49.67	100	135			43.82	5.03	35.37	46.26	88.25	-41.99	
9647.99	54.00	100	225			43.22	6.19	38.11	55.08	88.25	-33.17	
1000.00	51.83	100	270			42.66	1.93	24.90	36.00	74.00	-38.00	Ch. 6
1000.00				39.32	A	42.66	1.93	24.90	23.49	54.00	-30.51	
3249.32	53.33	100	225			43.08	3.53	31.05	44.82	87.98	-43.16	
4874.02	48.17	100	225			43.29	4.37	34.27	43.53	74.00	-30.47	
4874.02				35.94	A	43.29	4.37	34.27	31.30	54.00	-22.70	
6498.70	49.50	100	135			43.84	5.06	35.40	46.12	87.98	-41.86	
9747.90	55.33	100	315			43.25	6.23	38.25	56.55	87.98	-31.43	
1000.00	52.83	100	225			42.66	1.93	24.90	37.00	74.00	-37.00	Ch. 11
1000.00				39.00	A	42.66	1.93	24.90	23.17	54.00	-30.83	
3282.66	52.83	100	225			43.10	3.55	31.12	44.40	87.71	-43.31	
4923.98	47.83	100	225			43.30	4.40	34.44	43.36	74.00	-30.64	
4923.98				35.34	A	43.30	4.40	34.44	30.87	54.00	-23.13	
6565.37	47.67	100	270			43.84	5.08	35.62	44.54	87.71	-43.17	
9847.89	55.50	100	225			43.29	6.27	38.39	56.87	87.71	-30.84	



AEGIS LABS INC.

Spurious Radiated Emissions Test Results (Continued)

RADIATED EMISSIONS - Horizontal Antenna Polarization												
<i>Freq. (MHz)</i>	<i>Meter Reading (dBuV)</i>	<i>Antenna Height (cm)</i>	<i>Azimuth (degrees)</i>	<i>Quasi pk or AVG (dBuV)</i>		<i>Preamp Factor (dB)</i>	<i>Cable Factor (dB)</i>	<i>Ant. Factor (dB)</i>	<i>Corrected Reading (dBuV)</i>	<i>Limits (dBuV)</i>	<i>Diff (dB) +=FAIL</i>	<i>Note</i>
1000.00	50.83	100	225			42.66	1.93	25.00	35.10	74.00	-38.90	Ch. 1
1000.00				38.93	A	42.66	1.93	25.00	23.20	54.00	-30.80	
3216.00	53.50	100	180			43.07	3.51	31.09	45.03	85.95	-40.92	
4823.98	48.50	100	180			43.27	4.35	34.07	43.65	74.00	-30.35	
4823.98				36.25	A	43.27	4.35	34.07	31.40	54.00	-22.60	
6432.01	49.67	100	135			43.82	5.03	35.35	46.23	85.95	-39.72	
9648.03	55.83	100	225			43.22	6.19	38.17	56.97	85.95	-28.98	
1000.01	53.17	100	135			42.66	1.93	25.00	37.44	74.00	-36.56	Ch. 6
1000.01				39.25	A	42.66	1.93	25.00	23.52	54.00	-30.48	
3249.33	55.00	100	180			43.08	3.53	31.15	46.59	86.68	-40.09	
4874.04	48.67	100	135			43.29	4.37	34.22	43.98	74.00	-30.02	
4874.04				37.15	A	43.29	4.37	34.22	32.46	54.00	-21.54	
6498.64	49.17	100	135			43.84	5.06	35.40	45.79	86.68	-40.89	
9747.99	59.17	100	135			43.25	6.23	38.35	60.49	86.68	-26.19	
1000.00	53.67	100	225			42.66	1.93	25.00	37.94	74.00	-36.06	Ch. 11
1000.00				40.89	A	42.66	1.93	25.00	25.16	54.00	-28.84	
3282.66	53.17	100	315			43.10	3.55	31.21	44.83	84.54	-39.71	
4923.91	47.67	100	45			43.30	4.40	34.37	43.13	74.00	-30.87	
4923.91				35.35	A	43.30	4.40	34.37	30.81	54.00	-23.19	
6565.40	47.67	100	135			43.84	5.08	35.60	44.51	84.54	-40.03	
9848.05	58.00	100	180			43.29	6.27	38.53	59.51	84.54	-25.03	



AEGIS LABS INC.

Spurious Radiated Emissions Test Results (Continued)

*Spurious Emissions Measurements in 802.11b mode (2412-2462 MHz)
Channels 1, 6, & 11
Continuous RX at MAIN Antenna port with Phycomp Antennas
Aegis Labs, Inc. File #: INTEL-050103-06*

RADIATED EMISSIONS - Horizontal Antenna Polarization												
Freq. (MHz)	Meter Reading (dBuV)	Antenna Height (cm)	Azimuth (degrees)	Quasi pk or AVG (dBuV)		Preamplifier Factor (dB)	Cable Factor (dB)	Ant. Factor (dB)	Corrected Reading (dBuV)	Limits (dBuV)	Diff (dB) +/-FAIL	Note
3216.00	52.33	100	135			43.07	3.51	30.98	43.74	80.00	-36.26	Ch. 1
3216.00				43.35	A	43.07	3.51	30.98	34.76	60.00	-25.24	
6432.05	49.00	100	135			43.82	5.03	35.37	45.59	80.00	-34.41	
6432.05				36.40	A	43.82	5.03	35.37	32.99	60.00	-27.01	
9648.00	49.00	100	135			43.22	6.19	38.11	50.08	80.00	-29.92	
9648.00				36.54	A	43.22	6.19	38.11	37.62	60.00	-22.38	
3249.35	52.67	100	45			43.08	3.53	31.05	44.16	80.00	-35.84	Ch. 6
3249.35				47.28	A	43.08	3.53	31.05	38.77	60.00	-21.23	
6498.65	49.83	100	135			43.84	5.06	35.40	46.45	80.00	-33.55	
6498.65				37.28	A	43.84	5.06	35.40	33.90	60.00	-26.10	
9748.02	49.33	100	135			43.25	6.23	38.25	50.55	80.00	-29.45	
9748.02				36.54	A	43.25	6.23	38.25	37.76	60.00	-22.24	
3282.61	52.67	100	225			43.10	3.55	31.12	44.24	80.00	-35.76	Ch. 11
3282.61				47.28	A	43.10	3.55	31.12	38.85	60.00	-21.15	
6565.46	47.50	100	135			43.84	5.08	35.62	44.37	80.00	-35.63	
6565.46				35.73	A	43.84	5.08	35.62	32.60	60.00	-27.40	
9848.03	49.50	100	135			43.29	6.27	38.39	50.87	80.00	-29.13	
9848.03				37.24	A	43.29	6.27	38.39	38.61	60.00	-21.39	



AEGIS LABS INC.

Spurious Radiated Emissions Test Results (Continued)

RADIATED EMISSIONS - Vertical Antenna Polarization												
<i>Freq. (MHz)</i>	<i>Meter Reading (dBuV)</i>	<i>Antenna Height (cm)</i>	<i>Azimuth (degrees)</i>	<i>Quasi pk or AVG (dBuV)</i>		<i>Preamp Factor (dB)</i>	<i>Cable Factor (dB)</i>	<i>Ant. Factor (dB)</i>	<i>Corrected Reading (dBuV)</i>	<i>Limits (dBuV)</i>	<i>Diff (dB) +=FAIL</i>	<i>Note</i>
3215.98	54.33	100	0			43.07	3.51	31.09	45.86	80.00	-34.14	Ch. 1
3215.98				46.35	A	43.07	3.51	31.09	37.88	60.00	-22.12	
6432.04	49.00	100	90			43.82	5.03	35.35	45.56	80.00	-34.44	
6432.04				36.25	A	43.82	5.03	35.35	32.81	60.00	-27.19	
9647.98	49.00	100	135			43.22	6.19	38.17	50.14	80.00	-29.86	
9647.98				36.35	A	43.22	6.19	38.17	37.49	60.00	-22.51	
3249.25	53.50	100	0			43.08	3.53	31.15	45.09	80.00	-34.91	Ch. 6
3249.25				48.89	A	43.08	3.53	31.15	40.48	60.00	-19.52	
6498.58	49.50	100	135			43.84	5.06	35.40	46.12	80.00	-33.88	
6498.58				37.15	A	43.84	5.06	35.40	33.77	60.00	-26.23	
9748.00	49.17	100	135			43.25	6.23	38.35	50.49	80.00	-29.51	
9748.00				36.44	A	43.25	6.23	38.35	37.76	60.00	-22.24	
3282.65	57.50	100	0			43.10	3.55	31.21	49.16	80.00	-30.84	Ch. 11
3282.65				55.03	A	43.10	3.55	31.21	46.69	60.00	-13.31	
6565.32	48.00	100	135			43.84	5.08	35.60	44.84	80.00	-35.16	
6565.32				35.68	A	43.84	5.08	35.60	32.52	60.00	-27.48	
9847.97	49.00	100	135			43.29	6.27	38.53	50.51	80.00	-29.49	
9847.97				37.10	A	43.29	6.27	38.53	38.61	60.00	-21.39	



AEGIS LABS INC.

Spurious Radiated Emissions Test Results (Continued)

CLIENT:	Dell Computer Corporation	DATE:	01/06/05
EUT:	Dell Notebook Computer	PROJECT NUMBER:	INTEL-050103
MODEL NUMBER:	PP10S	TEST ENGINEER:	JC
SERIAL NUMBER:	JCXQ4A00288	SITE #:	2
CONFIGURATION:	Tested with an Intel PRO/Wireless 2200BG Network Connection installed in its mini PCI slot and connected to a set of Phycomp antennas in 802.11g (2412-2462 MHz) mode.	TEMPERATURE:	20 C
		HUMIDITY:	29% RH
		TIME:	2:15 PM

Standard:	FCC CFR 47, Part 15.247(c)
Description:	Radiated emissions, which fall in the restricted bands, as defined in Sec. 15.205(a), must also comply with the radiated emission limits specified in Sec. 15.209(a). All others must be < -20dBc.
Results:	Passes (See Data Sheets)

Unwanted Spurious Emissions Limits			
Frequency (MHz)	Field Strength (uV/m)	Field Strength (dBuV/m) (Emissions in the restricted bands)	Field Strength (dBm/MHz) (Emissions outside the restricted bands)
Above 960	500	54.00 (Average) 74.00 (Peak)	< -20 dBc

Page 17 of 71 (Appendix A)
Report Number: INTEL-050103F
FCC ID: E2K24GBRL



Spurious Radiated Emissions Test Results (Continued)

*Fundamental Measurements in 802.11g mode (2412-2462 MHz)
Channels 1, 6, & 11
Continuous TX at MAIN Antenna port with Phycomp Antennas
Aegis Labs, Inc. File #: INTEL-050103-04*

RADIATED EMISSIONS - Horizontal Antenna Polarization											
<i>Freq. (MHz)</i>	<i>Meter Reading (dBuV)</i>	<i>Antenna Height (cm)</i>	<i>Azimuth (degrees)</i>	<i>Quasi pk or AVG (dBuV)</i>		<i>Preamp Factor (dB)</i>	<i>Cable Factor (dB)</i>	<i>Ant. Factor (dB)</i>	<i>Corrected Reading (dBuV)</i>		<i>Note</i>
2412.00	68.83	100	135				3.02	29.22	101.08		Ch. 1
2412.00				59.67	A		3.02	29.22	91.92		
2437.00	69.00	100	45				3.04	29.27	101.31		Ch. 6
2437.00				59.11	A		3.04	29.27	91.42		
2462.00	69.83	100	45				3.06	29.32	102.21		Ch. 11
2462.00				59.90	A		3.06	29.32	92.28		

RADIATED EMISSIONS – Vertical Antenna Polarization											
<i>Freq. (MHz)</i>	<i>Meter Reading (dBuV)</i>	<i>Antenna Height (cm)</i>	<i>Azimuth (degrees)</i>	<i>Quasi pk or AVG (dBuV)</i>		<i>Preamp Factor (dB)</i>	<i>Cable Factor (dB)</i>	<i>Ant. Factor (dB)</i>	<i>Corrected Reading (dBuV)</i>		<i>Note</i>
2412.00	66.33	100	0				3.02	29.42	98.78		Ch. 1
2412.00				56.12	A		3.02	29.42	88.57		
2437.00	66.00	100	0				3.04	29.47	98.51		Ch. 6
2437.00				55.35	A		3.04	29.47	87.86		
2462.00	66.50	100	315				3.06	29.52	99.08		Ch. 11
2462.00				57.06	A		3.06	29.52	89.64		

NOTE: Fundamental signals measured to calculate the band edge field strengths using the “Marker Delta Method”.



Spurious Radiated Emissions Test Results (Continued)

*Band Edge Field Strength Measurements in 802.11g mode (2412-2462 MHz)
Channels 1, 6, & 11
Continuous TX at MAIN Antenna port with Phycomp Antennas
Aegis Labs, Inc. File #: INTEL-050103-04*

RADIATED EMISSIONS - Horizontal Antenna Polarization											
Freq. (MHz)	Meter Reading (dBuV)	Antenna Height (cm)	Azimuth (degrees)	Quasi pk or AVG (dBuV)	Preamp Factor (dB)	Cable Factor (dB)	Ant. Factor (dB)	Corrected Reading (dBuV)	Limits (dBuV)	Diff (dB) +=FAIL	Note
2390.00								57.08	74.00	-16.92	Ch. 1
2390.00								45.59	54.00	-8.41	
2400.00	45.17	100	135			3.02	29.20	77.39	81.08	-3.69	
2483.50								61.88	74.00	-12.12	Ch. 11
2483.50								48.62	54.00	-5.38	

RADIATED EMISSIONS - Vertical Antenna Polarization											
Freq. (MHz)	Meter Reading (dBuV)	Antenna Height (cm)	Azimuth (degrees)	Quasi pk or AVG (dBuV)	Preamp Factor (dB)	Cable Factor (dB)	Ant. Factor (dB)	Corrected Reading (dBuV)	Limits (dBuV)	Diff (dB) +=FAIL	Note
2390.00								54.78	74.00	-19.22	Ch. 1
2390.00								42.24	54.00	-11.76	
2400.00	42.67	100	0			3.02	29.40	75.09	78.78	-3.69	
2483.50								58.75	74.00	-15.25	Ch. 11
2483.50								45.98	54.00	-8.02	

NOTE: The “Band Edge Field Strength” was calculated using the “Fundamental” and “Conducted Band Edge” measurements per the “Marker-Delta Method” with the following formula:

$$BE = F_m - \Delta m$$

Where

BE = Band Edge Field Strength

F_m = Measured Fundamental (Peak or Average)

Δm = Measured Conducted Band Edge Delta (Peak or Average)



Spurious Radiated Emissions Test Results (Continued)

*Spurious Emissions Measurements in 802.11g mode (2412-2462 MHz)
 Channels 1, 6, & 11
 Continuous TX at MAIN Antenna port with Phycomp Antennas
 Aegis Labs, Inc. File #: INTEL-050103-05*

RADIATED EMISSIONS - Horizontal Antenna Polarization												
Freq. (MHz)	Meter Reading (dBuV)	Antenna Height (cm)	Azimuth (degrees)	Quasi pk or AVG (dBuV)		1 Meter Distance Factor (dB)	Cable Factor (dB)	Ant. Factor (dB)	Corrected Reading (dBuV)	Limits (dBuV)	Diff (dB) +=FAIL	Note
2312.00	33.50	100	135			9.54	2.96	29.02	55.94	74.00	-18.06	Ch. 1
2312.00				22.36	A	9.54	2.96	29.02	44.80	54.00	-9.20	
2336.00	32.67	100	135			9.54	2.98	29.07	55.18	74.00	-18.82	Ch. 6
2336.00				21.15	A	9.54	2.98	29.07	43.66	54.00	-10.34	
2360.00	32.50	100	225			9.54	2.99	29.12	55.07	74.00	-18.93	Ch. 11
2360.00				20.94	A	9.54	2.99	29.12	43.51	54.00	-10.49	

RADIATED EMISSIONS - Horizontal Antenna Polarization												
Freq. (MHz)	Meter Reading (dBuV)	Antenna Height (cm)	Azimuth (degrees)	Quasi pk or AVG (dBuV)		1 Meter Distance Factor (dB)	Cable Factor (dB)	Ant. Factor (dB)	Corrected Reading (dBuV)	Limits (dBuV)	Diff (dB) +=FAIL	Note
2312.00	32.33	100	135			9.54	2.96	29.22	54.97	74.00	-19.03	Ch. 1
2312.00				20.72	A	9.54	2.96	29.22	43.36	54.00	-10.64	
2336.00	32.83	100	225			9.54	2.98	29.27	55.54	74.00	-18.46	Ch. 6
2336.00				21.61	A	9.54	2.98	29.27	44.32	54.00	-9.68	
2360.00	32.33	100	135			9.54	2.99	29.32	55.10	74.00	-18.90	Ch. 11
2360.00				20.29	A	9.54	2.99	29.32	43.06	54.00	-10.94	

NOTE: These spurious emissions measurements were taken without a preamp at a distance on 1 meter to avoid saturating the preamp and analyzer because the signals were close to the fundamental frequency. The readings were extrapolated to 1 meter.



Spurious Radiated Emissions Test Results (Continued)

*Spurious Emissions Measurements in 802.11g mode (2412-2462 MHz)
Channels 1, 6, & 11
Continuous TX at MAIN Antenna port with Phycomp Antennas
Aegis Labs, Inc. File #: INTEL-050103-06*

RADIATED EMISSIONS - Horizontal Antenna Polarization												
<i>Freq. (MHz)</i>	<i>Meter Reading (dBuV)</i>	<i>Antenna Height (cm)</i>	<i>Azimuth (degrees)</i>	<i>Quasi pk or AVG (dBuV)</i>		<i>Preamp Factor (dB)</i>	<i>Cable Factor (dB)</i>	<i>Ant. Factor (dB)</i>	<i>Corrected Reading (dBuV)</i>	<i>Limits (dBuV)</i>	<i>Diff (dB) +=FAIL</i>	<i>Note</i>
1000.00	50.67	100	225			42.66	1.93	24.90	34.84	74.00	-39.16	Ch. 1
1000.00				39.67	A	42.66	1.93	24.90	23.84	54.00	-30.16	
3216.03	52.67	100	225			43.07	3.51	30.98	44.08	81.08	-37.00	
4823.97	48.00	100	135			43.27	4.35	34.10	43.18	74.00	-30.82	
4823.97				35.39	A	43.27	4.35	34.10	30.57	54.00	-23.43	
6432.02	48.67	100	135			43.82	5.03	35.37	45.26	81.08	-35.82	
9748.00	48.83	100	135			43.25	6.23	38.25	50.05	81.08	-31.03	
1000.00	51.17	100	180			42.66	1.93	24.90	35.34	74.00	-38.66	Ch. 6
1000.00				39.70	A	42.66	1.93	24.90	23.87	54.00	-30.13	
3249.35	55.00	100	225			43.08	3.53	31.05	46.49	81.31	-34.82	
4873.96	48.33	100	135			43.29	4.37	34.27	43.69	74.00	-30.31	
4873.96				35.68	A	43.29	4.37	34.27	31.04	54.00	-22.96	
6498.67	49.17	100	135			43.84	5.06	35.40	45.79	81.31	-35.52	
9748.02	48.33	100	135			43.25	6.23	38.25	49.55	81.31	-31.76	
1000.01	51.33	100	225			42.66	1.93	24.90	35.50	74.00	-38.50	Ch. 11
1000.01				39.59	A	42.66	1.93	24.90	23.76	54.00	-30.24	
3282.66	54.83	100	225			43.10	3.55	31.12	46.40	82.21	-35.81	
4924.00	47.67	100	135			43.30	4.40	34.44	43.20	74.00	-30.80	
4924.00				35.09	A	43.30	4.40	34.44	30.62	54.00	-23.38	
6565.32	47.83	100	135			43.84	5.08	35.62	44.70	82.21	-37.51	
9848.02	49.50	100	135			43.29	6.27	38.39	50.87	82.21	-31.34	



AEGIS LABS INC.

Spurious Radiated Emissions Test Results (Continued)

RADIATED EMISSIONS - Vertical Antenna Polarization												
<i>Freq. (MHz)</i>	<i>Meter Reading (dBuV)</i>	<i>Antenna Height (cm)</i>	<i>Azimuth (degrees)</i>	<i>Quasi pk or AVG (dBuV)</i>		<i>Preamp Factor (dB)</i>	<i>Cable Factor (dB)</i>	<i>Ant. Factor (dB)</i>	<i>Corrected Reading (dBuV)</i>	<i>Limits (dBuV)</i>	<i>Diff (dB) +=FAIL</i>	<i>Note</i>
1000.00	51.17	100	225			42.66	1.93	25.00	35.44	74.00	-38.56	Ch. 1
1000.00				38.59	A	42.66	1.93	25.00	22.86	54.00	-31.14	
3216.01	55.17	100	0			43.07	3.51	31.09	46.70	78.78	-32.08	
4823.98	48.00	100	135			43.27	4.35	34.07	43.15	74.00	-30.85	
4823.98				35.56	A	43.27	4.35	34.07	30.71	54.00	-23.29	
6532.02	49.17	100	135			43.84	5.07	35.50	45.90	78.78	-32.88	
9747.98	48.83	100	135			43.25	6.23	38.35	50.15	78.78	-28.63	
1000.20	51.50	100	180			42.66	1.93	25.00	35.77	74.00	-38.23	Ch. 6
1000.20				38.72	A	42.66	1.93	25.00	22.99	54.00	-31.01	
3249.33	54.17	100	0			43.08	3.53	31.15	45.76	78.51	-32.75	
4874.02	47.83	100	135			43.29	4.37	34.22	43.14	74.00	-30.86	
4874.02				35.56	A	43.29	4.37	34.22	30.87	54.00	-23.13	
6498.69	49.33	100	135			43.84	5.06	35.40	45.95	78.51	-32.56	
9748.06	49.50	100	135			43.25	6.23	38.35	50.82	78.51	-27.69	
1000.00	50.50	100	180			42.66	1.93	25.00	34.77	74.00	-39.23	Ch. 11
1000.00				39.74	A	42.66	1.93	25.00	24.01	54.00	-29.99	
3282.65	54.67	100	0			43.10	3.55	31.21	46.33	79.08	-32.75	
4923.98	48.17	100	135			43.30	4.40	34.37	43.63	74.00	-30.37	
4923.98				35.12	A	43.30	4.40	34.37	30.58	54.00	-23.42	
6565.36	47.83	100	135			43.84	5.08	35.60	44.67	79.08	-34.41	
9848.10	49.50	100	135			43.29	6.27	38.53	51.01	79.08	-28.07	



AEGIS LABS INC.

Spurious Radiated Emissions Test Results (Continued)

*Spurious Emissions Measurements in 802.11g mode (2412-2462 MHz)
Channels 1, 6, & 11
Continuous RX at MAIN Antenna port with Phycomp Antennas
Aegis Labs, Inc. File #: INTEL-050103-06*

RADIATED EMISSIONS - Horizontal Antenna Polarization												
Freq. (MHz)	Meter Reading (dBuV)	Antenna Height (cm)	Azimuth (degrees)	Quasi pk or AVG (dBuV)		Preamplifier Factor (dB)	Cable Factor (dB)	Ant. Factor (dB)	Corrected Reading (dBuV)	Limits (dBuV)	Diff (dB) +/-FAIL	Note
3216.00	53.33	100	180			43.07	3.51	30.98	44.74	80.00	-35.26	Ch. 1
3216.00				46.30	A	43.07	3.51	30.98	37.71	60.00	-22.29	
6432.05	48.17	100	135			43.82	5.03	35.37	44.76	80.00	-35.24	
6432.05				36.15	A	43.82	5.03	35.37	32.74	60.00	-27.26	
9648.00	48.50	100	135			43.22	6.19	38.11	49.58	80.00	-30.42	
9648.00				36.30	A	43.22	6.19	38.11	37.38	60.00	-22.62	
3249.35	53.50	100	225			43.08	3.53	31.05	44.99	80.00	-35.01	Ch. 6
3249.35				45.99	A	43.08	3.53	31.05	37.48	60.00	-22.52	
6498.65	48.83	100	135			43.84	5.06	35.40	45.45	80.00	-34.55	
6498.65				36.92	A	43.84	5.06	35.40	33.54	60.00	-26.46	
9748.02	48.17	100	135			43.25	6.23	38.25	49.39	80.00	-30.61	
9748.02				36.25	A	43.25	6.23	38.25	37.47	60.00	-22.53	
3282.61	53.50	100	225			43.10	3.55	31.12	45.07	80.00	-34.93	Ch. 11
3282.61				47.76	A	43.10	3.55	31.12	39.33	60.00	-20.67	
6565.46	48.83	100	135			43.84	5.08	35.62	45.70	80.00	-34.30	
6565.46				35.68	A	43.84	5.08	35.62	32.55	60.00	-27.45	
9848.03	49.33	100	135			43.29	6.27	38.39	50.70	80.00	-29.30	
9848.03				36.92	A	43.29	6.27	38.39	38.29	60.00	-21.71	



AEGIS LABS INC.

Spurious Radiated Emissions Test Results (Continued)

RADIATED EMISSIONS - Vertical Antenna Polarization												
<i>Freq. (MHz)</i>	<i>Meter Reading (dBuV)</i>	<i>Antenna Height (cm)</i>	<i>Azimuth (degrees)</i>	<i>Quasi pk or AVG (dBuV)</i>		<i>Preamp Factor (dB)</i>	<i>Cable Factor (dB)</i>	<i>Ant. Factor (dB)</i>	<i>Corrected Reading (dBuV)</i>	<i>Limits (dBuV)</i>	<i>Diff (dB) +=FAIL</i>	<i>Note</i>
3216.00	56.50	100	0			43.07	3.51	31.09	48.03	80.00	-31.97	Ch. 1
3216.00				53.09	A	43.07	3.51	31.09	44.62	60.00	-15.38	
6432.04	48.00	100	135			43.82	5.03	35.35	44.56	80.00	-35.44	
6432.04				36.04	A	43.82	5.03	35.35	32.60	60.00	-27.40	
9647.98	48.33	100	135			43.22	6.19	38.17	49.47	80.00	-30.53	
9647.98				36.15	A	43.22	6.19	38.17	37.29	60.00	-22.71	
3249.30	52.33	100	225			43.08	3.53	31.15	43.92	80.00	-36.08	Ch. 6
3249.30				46.73	A	43.08	3.53	31.15	38.32	60.00	-21.68	
6498.63	49.67	100	135			43.84	5.06	35.40	46.29	80.00	-33.71	
6498.63				37.06	A	43.84	5.06	35.40	33.68	60.00	-26.32	
9748.00	48.00	100	135			43.25	6.23	38.35	49.32	80.00	-30.68	
9748.00				36.20	A	43.25	6.23	38.35	37.52	60.00	-22.48	
3282.66	53.17	100	180			43.10	3.55	31.21	44.83	80.00	-35.17	Ch. 11
3282.66				48.48	A	43.10	3.55	31.21	40.14	60.00	-19.86	
6565.32	47.67	100	135			43.84	5.08	35.60	44.51	80.00	-35.49	
6565.32				35.57	A	43.84	5.08	35.60	32.41	60.00	-27.59	
9847.97	49.00	100	135			43.29	6.27	38.53	50.51	80.00	-29.49	
9847.97				36.78	A	43.29	6.27	38.53	38.29	60.00	-21.71	



AEGIS LABS INC.

Spurious Radiated Emissions Test Results (Continued)

CLIENT:	Dell Computer Corporation	DATE:	01/10/05
EUT:	Dell Notebook Computer	PROJECT NUMBER:	INTEL-050103
MODEL NUMBER:	PP10S	TEST ENGINEER:	JC
SERIAL NUMBER:	JCXQ4A00287	SITE #:	2
CONFIGURATION:	Tested with an Intel PRO/Wireless 2200BG Network Connection installed in its mini PCI slot and connected to a set of Wistron NeWeb Corp. antennas in 802.11b (2412-2462 MHz) mode.	TEMPERATURE:	13 C
		HUMIDITY:	97% RH
		TIME:	8:50 AM

Standard:	FCC CFR 47, Part 15.247(c)
Description:	Radiated emissions, which fall in the restricted bands, as defined in Sec. 15.205(a), must also comply with the radiated emission limits specified in Sec. 15.209(a). All others must be < -20dBc.
Results:	Passes (See Data Sheets)

Unwanted Spurious Emissions Limits

Frequency (MHz)	Field Strength (uV/m)	Field Strength (dBuV/m) (Emissions in the restricted bands)	Field Strength (dBm/MHz) (Emissions outside the restricted bands)
Above 960	500	54.00 (Average) 74.00 (Peak)	< -20 dBc

Page 27 of 71 (Appendix A)
Report Number: INTEL-050103F
FCC ID: E2K24GBRL



Spurious Radiated Emissions Test Results (Continued)

*Fundamental Measurements in 802.11b mode (2412-2462 MHz)
Channels 1, 6, & 11
Continuous TX at MAIN Antenna port with Wistron NeWeb Corp. Antennas
Aegis Labs, Inc. File #: INTEL-050103-08*

RADIATED EMISSIONS - Horizontal Antenna Polarization											
<i>Freq. (MHz)</i>	<i>Meter Reading (dBuV)</i>	<i>Antenna Height (cm)</i>	<i>Azimuth (degrees)</i>	<i>Quasi pk or AVG (dBuV)</i>		<i>Preamp Factor (dB)</i>	<i>Cable Factor (dB)</i>	<i>Ant. Factor (dB)</i>	<i>Corrected Reading (dBuV)</i>		<i>Note</i>
2412.00	76.50	100	90				3.02	29.22	108.75		Ch. 1
2412.00				72.51	A		3.02	29.22	104.76		
2437.00	77.00	100	90				3.04	29.27	109.31		Ch. 6
2437.00				73.10	A		3.04	29.27	105.41		
2462.00	75.33	100	45				3.06	29.32	107.71		Ch. 11
2462.00				71.32			3.06	29.32	103.70		

RADIATED EMISSIONS – Vertical Antenna Polarization											
<i>Freq. (MHz)</i>	<i>Meter Reading (dBuV)</i>	<i>Antenna Height (cm)</i>	<i>Azimuth (degrees)</i>	<i>Quasi pk or AVG (dBuV)</i>		<i>Preamp Factor (dB)</i>	<i>Cable Factor (dB)</i>	<i>Ant. Factor (dB)</i>	<i>Corrected Reading (dBuV)</i>		<i>Note</i>
2412.00	72.17	100	315				3.02	29.42	104.62		Ch. 1
2412.00				68.20	A		3.02	29.42	100.65		
2437.00	72.67	100	90				3.04	29.47	105.18		Ch. 6
2437.00				68.89	A		3.04	29.47	101.40		
2462.00	71.17	100	315				3.06	29.52	103.75		Ch. 11
2462.00				67.15	A		3.06	29.52	99.73		

NOTE: Fundamental signals measured to calculate the band edge field strengths using the “Marker Delta Method”.



Spurious Radiated Emissions Test Results (Continued)

*Band Edge Field Strength Measurements in 802.11b mode (2412-2462 MHz)
 Channels 1, 6, & 11
 Continuous TX at MAIN Antenna port with Wistron NeWeb Corp. Antennas
 Aegis Labs, Inc. File #: INTEL-050103-08*

RADIATED EMISSIONS - Horizontal Antenna Polarization

Freq. (MHz)	Meter Reading (dBuV)	Antenna Height (cm)	Azimuth (degrees)	Quasi pk or AVG (dBuV)	Preamp Factor (dB)	Cable Factor (dB)	Ant. Factor (dB)	Corrected Reading (dBuV)	Limits (dBuV)	Diff (dB) +=FAIL	Note
2390.00								53.91	74.00	-20.09	Ch. 1
2390.00								44.26	54.00	-9.74	
2386.00								59.08	74.00	-14.92	
2386.00								53.76	54.00	-0.24	
2400.00	40.17	100	90			3.02	29.20	72.39	88.75	-16.36	
2483.50								54.05	74.00	-19.95	Ch. 11
2483.50								45.04	54.00	-8.96	
2488.00								58.55	74.00	-15.45	
2488.00								53.20	54.00	-0.80	

RADIATED EMISSIONS - Vertical Antenna Polarization

Freq. (MHz)	Meter Reading (dBuV)	Antenna Height (cm)	Azimuth (degrees)	Quasi pk or AVG (dBuV)	Preamp Factor (dB)	Cable Factor (dB)	Ant. Factor (dB)	Corrected Reading (dBuV)	Limits (dBuV)	Diff (dB) +=FAIL	Note
2390.00								49.78	74.00	-24.22	Ch. 1
2390.00								40.15	54.00	-13.85	
2386.00								54.95	74.00	-19.05	
2386.00								49.65	54.00	-4.35	
2400.00	36.17	100	315			3.02	29.40	68.59	84.62	-16.03	
2483.50								50.09	74.00	-23.91	Ch. 11
2483.50								41.07	54.00	-12.93	
2488.00								54.59	74.00	-19.41	
2488.00								49.23	54.00	-4.77	

NOTE: The "Band Edge Field Strength" was calculated using the "Fundamental" and "Conducted Band Edge" measurements per the "Marker-Delta Method" with the following formula:

BE = Fm - Δm

Where

BE = Band Edge Field Strength

Fm = Measured Fundamental (Peak or Average)

Δm = Measured Conducted Band Edge Delta (Peak or Average)



Spurious Radiated Emissions Test Results (Continued)

*Spurious Emissions Measurements in 802.11b mode (2412-2462 MHz)
Channels 1, 6, & 11
Continuous TX at MAIN Antenna port with Wistron NeWeb Corp. Antennas
Aegis Labs, Inc. File #: INTEL-050103-09*

RADIATED EMISSIONS - Horizontal Antenna Polarization												
Freq. (MHz)	Meter Reading (dBuV)	Antenna Height (cm)	Azimuth (degrees)	Quasi pk or AVG (dBuV)		1 Meter Distance Factor (dB)	Cable Factor (dB)	Ant. Factor (dB)	Corrected Reading (dBuV)	Limits (dBuV)	Diff (dB) +=FAIL	Note
2312.00	33.00	100	135			9.54	2.96	29.02	55.44	74.00	-18.56	Ch. 1
2312.00				23.58	A	9.54	2.96	29.02	46.02	54.00	-7.98	
2336.00	33.33	100	135			9.54	2.98	29.07	55.84	74.00	-18.16	Ch. 6
2336.00				23.59	A	9.54	2.98	29.07	46.10	54.00	-7.90	
2360.00	32.00	100	135			9.54	2.99	29.12	54.57	74.00	-19.43	Ch. 11
2360.00				20.45	A	9.54	2.99	29.12	43.02	54.00	-10.98	

RADIATED EMISSIONS - Vertical Antenna Polarization												
Freq. (MHz)	Meter Reading (dBuV)	Antenna Height (cm)	Azimuth (degrees)	Quasi pk or AVG (dBuV)		1 Meter Distance Factor (dB)	Cable Factor (dB)	Ant. Factor (dB)	Corrected Reading (dBuV)	Limits (dBuV)	Diff (dB) +=FAIL	Note
2312.00	32.67	100	135			9.54	2.96	29.22	55.31	74.00	-18.69	Ch. 1
2312.00				21.99	A	9.54	2.96	29.22	44.63	54.00	-9.37	
2336.00	32.83	100	135			9.54	2.98	29.27	55.54	74.00	-18.46	Ch. 6
2336.00				22.42	A	9.54	2.98	29.27	45.13	54.00	-8.87	
2360.00	32.17	100	90			9.54	2.99	29.32	54.94	74.00	-19.06	Ch. 11
2360.00				19.01	A	9.54	2.99	29.32	41.78	54.00	-12.22	

NOTE: These spurious emissions measurements were taken without a preamp at a distance on 1 meter to avoid saturating the preamp and analyzer because the signals were close to the fundamental frequency. The readings were extrapolated to 1 meter.



AEGIS LABS INC.

Spurious Radiated Emissions Test Results (Continued)

*Spurious Emissions Measurements in 802.11b mode (2412-2462 MHz)
Channels 1, 6, & 11
Continuous TX at MAIN Antenna port with Wistron NeWeb Corp. Antennas
Aegis Labs, Inc. File #: INTEL-050103-10*

RADIATED EMISSIONS - Horizontal Antenna Polarization												
<i>Freq. (MHz)</i>	<i>Meter Reading (dBuV)</i>	<i>Antenna Height (cm)</i>	<i>Azimuth (degrees)</i>	<i>Quasi pk or AVG (dBuV)</i>		<i>Preamp Factor (dB)</i>	<i>Cable Factor (dB)</i>	<i>Ant. Factor (dB)</i>	<i>Corrected Reading (dBuV)</i>	<i>Limits (dBuV)</i>	<i>Diff (dB) +=FAIL</i>	<i>Note</i>
1000.03	53.17	100	225			42.66	1.93	24.90	37.34	74.00	-36.66	Ch. 1
1000.03				42.80	A	42.66	1.93	24.90	26.97	54.00	-27.03	
3216.00	56.67	100	225			43.07	3.51	30.98	48.08	88.75	-40.67	
4823.95	48.67	100	180			43.27	4.35	34.10	43.85	74.00	-30.15	
4823.95				35.84	A	43.27	4.35	34.10	31.02	54.00	-22.98	
6432.00	49.33	100	135			43.82	5.03	35.37	45.92	88.75	-42.83	
9647.99	51.83	100	45			43.22	6.19	38.11	52.91	88.75	-35.84	
1000.00	52.50	100	0			42.66	1.93	24.90	36.67	74.00	-37.33	Ch. 6
1000.00				40.62	A	42.66	1.93	24.90	24.79	54.00	-29.21	
3249.32	55.83	100	180			43.08	3.53	31.05	47.32	89.31	-41.99	
4874.02	47.67	100	135			43.29	4.37	34.27	43.03	74.00	-30.97	
4874.02				35.01	A	43.29	4.37	34.27	30.37	54.00	-23.63	
6498.70	49.17	100	135			43.84	5.06	35.40	45.79	89.31	-43.52	
9747.90	52.50	100	45			43.25	6.23	38.25	53.72	89.31	-35.59	
1000.00	57.33	100	90			42.66	1.93	24.90	41.50	74.00	-32.50	Ch. 11
1000.00				40.71	A	42.66	1.93	24.90	24.88	54.00	-29.12	
3282.66	53.00	100	225			43.10	3.55	31.12	44.57	87.71	-43.14	
4923.98	46.33	100	135			43.30	4.40	34.44	41.86	74.00	-32.14	
4923.98				34.60	A	43.30	4.40	34.44	30.13	54.00	-23.87	
6565.37	47.17	100	135			43.84	5.08	35.62	44.04	87.71	-43.67	
9847.89	51.50	100	225			43.29	6.27	38.39	52.87	87.71	-34.84	



AEGIS LABS INC.

Spurious Radiated Emissions Test Results (Continued)

RADIATED EMISSIONS - Vertical Antenna Polarization												
<i>Freq. (MHz)</i>	<i>Meter Reading (dBuV)</i>	<i>Antenna Height (cm)</i>	<i>Azimuth (degrees)</i>	<i>Quasi pk or AVG (dBuV)</i>		<i>Preamp Factor (dB)</i>	<i>Cable Factor (dB)</i>	<i>Ant. Factor (dB)</i>	<i>Corrected Reading (dBuV)</i>	<i>Limits (dBuV)</i>	<i>Diff (dB) +=FAIL</i>	<i>Note</i>
1000.00	55.33	100	45			42.66	1.93	25.00	39.60	74.00	-34.40	Ch. 1
1000.00				39.97	A	42.66	1.93	25.00	24.24	54.00	-29.76	
3216.00	54.83	100	180			43.07	3.51	31.09	46.36	84.62	-38.26	
4823.98	47.67	100	180			43.27	4.35	34.07	42.82	74.00	-31.18	
4823.98				35.46	A	43.27	4.35	34.07	30.61	54.00	-23.39	
6432.01	48.50	100	135			43.82	5.03	35.35	45.06	84.62	-39.56	
9648.03	54.83	100	180			43.22	6.19	38.17	55.97	84.62	-28.65	
1000.01	57.83	100	270			42.66	1.93	25.00	42.10	74.00	-31.90	Ch. 6
1000.01				45.02	A	42.66	1.93	25.00	29.29	54.00	-24.71	
3249.33	56.50	100	0			43.08	3.53	31.15	48.09	85.18	-37.09	
4874.04	48.00	100	225			43.29	4.37	34.22	43.31	74.00	-30.69	
4874.04				35.63	A	43.29	4.37	34.22	30.94	54.00	-23.06	
6498.64	49.17	100	135			43.84	5.06	35.40	45.79	85.18	-39.39	
9747.99	53.33	150	135			43.25	6.23	38.35	54.65	85.18	-30.53	
1000.00	54.67	100	90			42.66	1.93	25.00	38.94	74.00	-35.06	Ch. 11
1000.00				38.71	A	42.66	1.93	25.00	22.98	54.00	-31.02	
3282.66	53.50	100	180			43.10	3.55	31.21	45.16	83.75	-38.59	
4923.91	47.17	100	180			43.30	4.40	34.37	42.63	74.00	-31.37	
4923.91				34.72	A	43.30	4.40	34.37	30.18	54.00	-23.82	
6565.40	47.00	100	135			43.84	5.08	35.60	43.84	83.75	-39.91	
9848.05	54.00	100	180			43.29	6.27	38.53	55.51	83.75	-28.24	



AEGIS LABS INC.

Spurious Radiated Emissions Test Results (Continued)

*Spurious Emissions Measurements in 802.11b mode (2412-2462 MHz)
 Channels 1, 6, & 11
 Continuous RX at MAIN Antenna port with Wistron NeWeb Corp. Antennas
 Aegis Labs, Inc. File #: INTEL-050103-10*

RADIATED EMISSIONS - Horizontal Antenna Polarization												
Freq. (MHz)	Meter Reading (dBuV)	Antenna Height (cm)	Azimuth (degrees)	Quasi pk or AVG (dBuV)		Preamplifier Factor (dB)	Cable Factor (dB)	Ant. Factor (dB)	Corrected Reading (dBuV)	Limits (dBuV)	Diff (dB) +/-FAIL	Note
3216.00	54.67	100	225			43.07	3.51	30.98	46.08	80.00	-33.92	Ch. 1
3216.00				50.02	A	43.07	3.51	30.98	41.43	60.00	-18.57	
6432.05	48.83	100	135			43.82	5.03	35.37	45.42	80.00	-34.58	
6432.05				35.33	A	43.82	5.03	35.37	31.92	60.00	-28.08	
9648.00	49.33	100	135			43.22	6.19	38.11	50.41	80.00	-29.59	
9648.00				36.73	A	43.22	6.19	38.11	37.81	60.00	-22.19	
3249.35	56.50	100	225			43.08	3.53	31.05	47.99	80.00	-32.01	Ch. 6
3249.35				53.02	A	43.08	3.53	31.05	44.51	60.00	-15.49	
6498.65	49.17	100	135			43.84	5.06	35.40	45.79	80.00	-34.21	
6498.65				37.19	A	43.84	5.06	35.40	33.81	60.00	-26.19	
9748.02	48.17	100	135			43.25	6.23	38.25	49.39	80.00	-30.61	
9748.02				36.04	A	43.25	6.23	38.25	37.26	60.00	-22.74	
3282.61	58.17	100	90			43.10	3.55	31.12	49.74	80.00	-30.26	Ch. 11
3282.61				54.54	A	43.10	3.55	31.12	46.11	60.00	-13.89	
6565.46	48.17	100	135			43.84	5.08	35.62	45.04	80.00	-34.96	
6565.46				35.46	A	43.84	5.08	35.62	32.33	60.00	-27.67	
9848.03	48.83	100	135			43.29	6.27	38.39	50.20	80.00	-29.80	
9848.03				36.44	A	43.29	6.27	38.39	37.81	60.00	-22.19	



AEGIS LABS INC.

Spurious Radiated Emissions Test Results (Continued)

RADIATED EMISSIONS - Vertical Antenna Polarization												
<i>Freq. (MHz)</i>	<i>Meter Reading (dBuV)</i>	<i>Antenna Height (cm)</i>	<i>Azimuth (degrees)</i>	<i>Quasi pk or AVG (dBuV)</i>		<i>Preamp Factor (dB)</i>	<i>Cable Factor (dB)</i>	<i>Ant. Factor (dB)</i>	<i>Corrected Reading (dBuV)</i>	<i>Limits (dBuV)</i>	<i>Diff (dB) +=FAIL</i>	<i>Note</i>
3215.98	52.17	100	135			43.07	3.51	31.09	43.70	80.00	-36.30	Ch. 1
3215.98				45.24	A	43.07	3.51	31.09	36.77	60.00	-23.23	
6432.04	48.50	100	90			43.82	5.03	35.35	45.06	80.00	-34.94	
6432.04				36.25	A	43.82	5.03	35.35	32.81	60.00	-27.19	
9647.98	48.50	100	135			43.22	6.19	38.17	49.64	80.00	-30.36	
9647.98				36.73	A	43.22	6.19	38.17	37.87	60.00	-22.13	
3249.25	57.17	100	45			43.08	3.53	31.15	48.76	80.00	-31.24	Ch. 6
3249.25				52.87	A	43.08	3.53	31.15	44.46	60.00	-15.54	
6498.58	49.67	100	135			43.84	5.06	35.40	46.29	80.00	-33.71	
6498.58				36.92	A	43.84	5.06	35.40	33.54	60.00	-26.46	
9748.00	48.17	100	135			43.25	6.23	38.35	49.49	80.00	-30.51	
9748.00				36.20	A	43.25	6.23	38.35	37.52	60.00	-22.48	
3282.65	56.83	100	90			43.10	3.55	31.21	48.49	80.00	-31.51	Ch. 11
3282.65				53.91	A	43.10	3.55	31.21	45.57	60.00	-14.43	
6565.32	47.83	100	135			43.84	5.08	35.60	44.67	80.00	-35.33	
6565.32				35.63	A	43.84	5.08	35.60	32.47	60.00	-27.53	
9847.97	49.00	100	135			43.29	6.27	38.53	50.51	80.00	-29.49	
9847.97				36.35	A	43.29	6.27	38.53	37.86	60.00	-22.14	



AEGIS LABS INC.

Spurious Radiated Emissions Test Results (Continued)

CLIENT:	Dell Computer Corporation	DATE:	01/10/05
EUT:	Dell Notebook Computer	PROJECT NUMBER:	INTEL-050103
MODEL NUMBER:	PP10S	TEST ENGINEER:	JC
SERIAL NUMBER:	JCXQ4A00287	SITE #:	2
CONFIGURATION:	Tested with an Intel PRO/Wireless 2200BG Network Connection installed in its mini PCI slot and connected to a set of Wistron NeWeb Corp. antennas in 802.11g (2412-2462 MHz) mode.	TEMPERATURE:	13 C
		HUMIDITY:	97% RH
		TIME:	8:50 AM

Standard:	FCC CFR 47, Part 15.247(c)
Description:	Radiated emissions, which fall in the restricted bands, as defined in Sec. 15.205(a), must also comply with the radiated emission limits specified in Sec. 15.209(a). All others must be < -20dBc.
Results:	Passes (See Data Sheets)

Unwanted Spurious Emissions Limits			
Frequency (MHz)	Field Strength (uV/m)	Field Strength (dBuV/m) (Emissions in the restricted bands)	Field Strength (dBm/MHz) (Emissions outside the restricted bands)
Above 960	500	54.00 (Average) 74.00 (Peak)	< -20 dBc

Page 37 of 71 (Appendix A)
Report Number: INTEL-050103F
FCC ID: E2K24GBRL



Spurious Radiated Emissions Test Results (Continued)

*Fundamental Measurements in 802.11g mode (2412-2462 MHz)
Channels 1, 6, & 11
Continuous TX at MAIN Antenna port with Wistron NeWeb Corp. Antennas
Aegis Labs, Inc. File #: INTEL-050103-08*

RADIATED EMISSIONS - Horizontal Antenna Polarization											
<i>Freq. (MHz)</i>	<i>Meter Reading (dBuV)</i>	<i>Antenna Height (cm)</i>	<i>Azimuth (degrees)</i>	<i>Quasi pk or AVG (dBuV)</i>		<i>Preamp Factor (dB)</i>	<i>Cable Factor (dB)</i>	<i>Ant. Factor (dB)</i>	<i>Corrected Reading (dBuV)</i>		<i>Note</i>
2412.00	71.67	100	45				3.02	29.22	103.92		Ch. 1
2412.00				61.75	A		3.02	29.22	94.00		
2437.00	70.83	100	45				3.04	29.27	103.14		Ch. 6
2437.00				61.23	A		3.04	29.27	93.54		
2462.00	70.67	100	45				3.06	29.32	103.05		Ch. 11
2462.00				60.41	A		3.06	29.32	92.79		

RADIATED EMISSIONS – Vertical Antenna Polarization											
<i>Freq. (MHz)</i>	<i>Meter Reading (dBuV)</i>	<i>Antenna Height (cm)</i>	<i>Azimuth (degrees)</i>	<i>Quasi pk or AVG (dBuV)</i>		<i>Preamp Factor (dB)</i>	<i>Cable Factor (dB)</i>	<i>Ant. Factor (dB)</i>	<i>Corrected Reading (dBuV)</i>		<i>Note</i>
2412.00	67.33	100	315				3.02	29.42	99.78		Ch. 1
2412.00				58.04	A		3.02	29.42	90.49		
2437.00	65.00	100	90				3.04	29.47	97.51		Ch. 6
2437.00				55.29	A		3.04	29.47	87.80		
2462.00	63.33	100	0				3.06	29.52	95.91		Ch. 11
2462.00				53.19	A		3.06	29.52	85.77		

NOTE: Fundamental signals measured to calculate the band edge field strengths using the “Marker Delta Method”.



Spurious Radiated Emissions Test Results (Continued)

*Band Edge Field Strength Measurements in 802.11g mode (2412-2462 MHz)
 Channels 1, 6, & 11
 Continuous TX at MAIN Antenna port with Wistron NeWeb Corp. Antennas
 Aegis Labs, Inc. File #: INTEL-050103-08*

RADIATED EMISSIONS - Horizontal Antenna Polarization											
<i>Freq. (MHz)</i>	<i>Meter Reading (dBuV)</i>	<i>Antenna Height (cm)</i>	<i>Azimuth (degrees)</i>	<i>Quasi pk or AVG (dBuV)</i>	<i>Preamp Factor (dB)</i>	<i>Cable Factor (dB)</i>	<i>Ant. Factor (dB)</i>	<i>Corrected Reading (dBuV)</i>	<i>Limits (dBuV)</i>	<i>Diff (dB) +=FAIL</i>	<i>Note</i>
2390.00								59.92	74.00	-14.08	Ch. 1
2390.00								47.67	54.00	-6.33	
2400.00	45.83	100	45			3.02	29.20	78.05	83.92	-5.87	
2483.50								62.72	74.00	-11.28	Ch. 11
2483.50								49.13	54.00	-4.87	

RADIATED EMISSIONS - Vertical Antenna Polarization											
<i>Freq. (MHz)</i>	<i>Meter Reading (dBuV)</i>	<i>Antenna Height (cm)</i>	<i>Azimuth (degrees)</i>	<i>Quasi pk or AVG (dBuV)</i>	<i>Preamp Factor (dB)</i>	<i>Cable Factor (dB)</i>	<i>Ant. Factor (dB)</i>	<i>Corrected Reading (dBuV)</i>	<i>Limits (dBuV)</i>	<i>Diff (dB) +=FAIL</i>	<i>Note</i>
2390.00								55.78	74.00	-18.22	Ch. 1
2390.00								44.16	54.00	-9.84	
2400.00	44.17	100	315			3.02	29.40	76.59	79.78	-3.19	
2483.50								55.58	74.00	-18.42	Ch. 11
2483.50								42.11	54.00	-11.89	

NOTE: The “Band Edge Field Strength” was calculated using the “Fundamental” and “Conducted Band Edge” measurements per the “Marker-Delta Method” with the following formula:

$$BE = Fm - \Delta m$$

Where

BE = Band Edge Field Strength

Fm = Measured Fundamental (Peak or Average)

Δm = Measured Conducted Band Edge Delta (Peak or Average)



Spurious Radiated Emissions Test Results (Continued)

*Spurious Emissions Measurements in 802.11g mode (2412-2462 MHz)
Channels 1, 6, & 11
Continuous TX at MAIN Antenna port with Wistron NeWeb Corp. Antennas
Aegis Labs, Inc. File #: INTEL-050103-09*

RADIATED EMISSIONS - Horizontal Antenna Polarization												
Freq. (MHz)	Meter Reading (dBuV)	Antenna Height (cm)	Azimuth (degrees)	Quasi pk or AVG (dBuV)		1 Meter Distance Factor (dB)	Cable Factor (dB)	Ant. Factor (dB)	Corrected Reading (dBuV)	Limits (dBuV)	Diff (dB) +=FAIL	Note
2312.00	33.17	100	225			9.54	2.96	29.02	55.61	74.00	-18.39	Ch. 1
2312.00				23.23	A	9.54	2.96	29.02	45.67	54.00	-8.33	
2336.00	33.50	100	135			9.54	2.98	29.07	56.01	74.00	-17.99	Ch. 6
2336.00				24.29	A	9.54	2.98	29.07	46.80	54.00	-7.20	
2360.00	32.50	100	90			9.54	2.99	29.12	55.07	74.00	-18.93	Ch. 11
2360.00				21.37	A	9.54	2.99	29.12	43.94	54.00	-10.06	

RADIATED EMISSIONS - Horizontal Antenna Polarization												
Freq. (MHz)	Meter Reading (dBuV)	Antenna Height (cm)	Azimuth (degrees)	Quasi pk or AVG (dBuV)		1 Meter Distance Factor (dB)	Cable Factor (dB)	Ant. Factor (dB)	Corrected Reading (dBuV)	Limits (dBuV)	Diff (dB) +=FAIL	Note
2312.00	33.00	100	135			9.54	2.96	29.22	55.64	74.00	-18.36	Ch. 1
2312.00				27.71	A	9.54	2.96	29.22	50.35	54.00	-3.65	
2336.00	32.50	100	225			9.54	2.98	29.27	55.21	74.00	-18.79	Ch. 6
2336.00				21.81	A	9.54	2.98	29.27	44.52	54.00	-9.48	
2360.00	32.17	100	90			9.54	2.99	29.32	54.94	74.00	-19.06	Ch. 11
2360.00				20.40	A	9.54	2.99	29.32	43.17	54.00	-10.83	

NOTE: These spurious emissions measurements were taken without a preamp at a distance on 1 meter to avoid saturating the preamp and analyzer because the signals were close to the fundamental frequency. The readings were extrapolated to 1 meter.



AEGIS LABS INC.

Spurious Radiated Emissions Test Results (Continued)

*Spurious Emissions Measurements in 802.11g mode (2412-2462 MHz)
Channels 1, 6, & 11
Continuous TX at MAIN Antenna port with Wistron NeWeb Corp. Antennas
Aegis Labs, Inc. File #: INTEL-050103-10*

RADIATED EMISSIONS - Horizontal Antenna Polarization												
<i>Freq. (MHz)</i>	<i>Meter Reading (dBuV)</i>	<i>Antenna Height (cm)</i>	<i>Azimuth (degrees)</i>	<i>Quasi pk or AVG (dBuV)</i>		<i>Preamp Factor (dB)</i>	<i>Cable Factor (dB)</i>	<i>Ant. Factor (dB)</i>	<i>Corrected Reading (dBuV)</i>	<i>Limits (dBuV)</i>	<i>Diff (dB) +=FAIL</i>	<i>Note</i>
1000.00	52.00	100	135			42.66	1.93	24.90	36.17	74.00	-37.83	Ch. 1
1000.00				42.87	A	42.66	1.93	24.90	27.04	54.00	-26.96	
3216.03	51.00	100	90			43.07	3.51	30.98	42.41	83.92	-41.51	
4823.97	47.83	100	135			43.27	4.35	34.10	43.01	74.00	-30.99	
4823.97				35.50	A	43.27	4.35	34.10	30.68	54.00	-23.32	
6432.02	48.33	100	135			43.82	5.03	35.37	44.92	83.92	-39.00	
9748.00	49.00	100	135			43.25	6.23	38.25	50.22	83.92	-33.70	
1000.00	53.33	100	270			42.66	1.93	24.90	37.50	74.00	-36.50	Ch. 6
1000.00				42.57	A	42.66	1.93	24.90	26.74	54.00	-27.26	
3249.35	55.17	100	180			43.08	3.53	31.05	46.66	83.14	-36.48	
4873.96	48.00	100	135			43.29	4.37	34.27	43.36	74.00	-30.64	
4873.96				35.73	A	43.29	4.37	34.27	31.09	54.00	-22.91	
6498.67	49.67	100	135			43.84	5.06	35.40	46.29	83.14	-36.85	
9748.02	48.67	100	135			43.25	6.23	38.25	49.89	83.14	-33.25	
1000.01	53.83	100	315			42.66	1.93	24.90	38.00	74.00	-36.00	Ch. 11
1000.01				41.35	A	42.66	1.93	24.90	25.52	54.00	-28.48	
3282.66	52.83	100	135			43.10	3.55	31.12	44.40	83.05	-38.65	
4924.00	47.50	100	135			43.30	4.40	34.44	43.03	74.00	-30.97	
4924.00				35.13	A	43.30	4.40	34.44	30.66	54.00	-23.34	
6565.32	48.33	100	135			43.84	5.08	35.62	45.20	83.05	-37.85	
9848.02	49.33	100	135			43.29	6.27	38.39	50.70	83.05	-32.35	



AEGIS LABS INC.

Spurious Radiated Emissions Test Results (Continued)

RADIATED EMISSIONS - Vertical Antenna Polarization												
Freq. (MHz)	Meter Reading (dBuV)	Antenna Height (cm)	Azimuth (degrees)	Quasi pk or AVG (dBuV)		Preamp Factor (dB)	Cable Factor (dB)	Ant. Factor (dB)	Corrected Reading (dBuV)	Limits (dBuV)	Diff (dB) +=FAIL	Note
1000.00	52.00	100	225			42.66	1.93	25.00	36.27	74.00	-37.73	Ch. 1
1000.00				39.86	A	42.66	1.93	25.00	24.13	54.00	-29.87	
3216.01	51.33	100	135			43.07	3.51	31.09	42.86	79.78	-36.92	
4823.98	47.83	100	135			43.27	4.35	34.07	42.98	74.00	-31.02	
4823.98				35.59	A	43.27	4.35	34.07	30.74	54.00	-23.26	
6532.02	48.17	100	135			43.84	5.07	35.50	44.90	79.78	-34.88	
9747.98	48.67	100	135			43.25	6.23	38.35	49.99	79.78	-29.79	
1000.20	52.00	100	135			42.66	1.93	25.00	36.27	74.00	-37.73	Ch. 6
1000.20				39.60	A	42.66	1.93	25.00	23.87	54.00	-30.13	
3249.33	48.00	100	135			43.08	3.53	31.15	39.59	77.51	-37.92	
4874.02	48.33	100	135			43.29	4.37	34.22	43.64	74.00	-30.36	
4874.02				35.73	A	43.29	4.37	34.22	31.04	54.00	-22.96	
6498.69	50.17	100	135			43.84	5.06	35.40	46.79	77.51	-30.72	
9748.06	49.00	100	180			43.25	6.23	38.35	50.32	77.51	-27.19	
1000.00	53.00	100	180			42.66	1.93	25.00	37.27	74.00	-36.73	Ch. 11
1000.00				40.03	A	42.66	1.93	25.00	24.30	54.00	-29.70	
3282.65	54.33	100	180			43.10	3.55	31.21	45.99	75.91	-29.92	
4923.98	48.17	100	135			43.30	4.40	34.37	43.63	74.00	-30.37	
4923.98				35.13	A	43.30	4.40	34.37	30.59	54.00	-23.41	
6565.36	47.83	100	135			43.84	5.08	35.60	44.67	75.91	-31.24	
9848.10	49.50	100	135			43.29	6.27	38.53	51.01	75.91	-24.90	



AEGIS LABS INC.

Spurious Radiated Emissions Test Results (Continued)

*Spurious Emissions Measurements in 802.11g mode (2412-2462 MHz)
Channels 1, 6, & 11
Continuous RX at MAIN Antenna port with Wistron NeWeb Corp. Antennas
Aegis Labs, Inc. File #: INTEL-050103-10*

RADIATED EMISSIONS - Horizontal Antenna Polarization												
Freq. (MHz)	Meter Reading (dBuV)	Antenna Height (cm)	Azimuth (degrees)	Quasi pk or AVG (dBuV)		Preamplifier Factor (dB)	Cable Factor (dB)	Ant. Factor (dB)	Corrected Reading (dBuV)	Limits (dBuV)	Diff (dB) +/-FAIL	Note
3216.00	56.83	100	135			43.07	3.51	30.98	48.24	80.00	-31.76	Ch. 1
3216.00				53.17	A	43.07	3.51	30.98	44.58	60.00	-15.42	
6432.05	48.50	100	135			43.82	5.03	35.37	45.09	80.00	-34.91	
6432.05				36.10	A	43.82	5.03	35.37	32.69	60.00	-27.31	
9648.00	48.50	100	135			43.22	6.19	38.11	49.58	80.00	-30.42	
9648.00				36.20	A	43.22	6.19	38.11	37.28	60.00	-22.72	
3249.35	55.83	100	90			43.08	3.53	31.05	47.32	80.00	-32.68	Ch. 6
3249.35				50.71	A	43.08	3.53	31.05	42.20	60.00	-17.80	
6498.65	49.00	100	135			43.84	5.06	35.40	45.62	80.00	-34.38	
6498.65				37.41	A	43.84	5.06	35.40	34.03	60.00	-25.97	
9748.02	48.00	100	135			43.25	6.23	38.25	49.22	80.00	-30.78	
9748.02				36.15	A	43.25	6.23	38.25	37.37	60.00	-22.63	
3282.61	57.00	100	225			43.10	3.55	31.12	48.57	80.00	-31.43	Ch. 11
3282.61				53.78	A	43.10	3.55	31.12	45.35	60.00	-14.65	
6565.46	47.67	100	135			43.84	5.08	35.62	44.54	80.00	-35.46	
6565.46				35.63	A	43.84	5.08	35.62	32.50	60.00	-27.50	
9848.03	49.50	100	135			43.29	6.27	38.39	50.87	80.00	-29.13	
9848.03				36.49	A	43.29	6.27	38.39	37.86	60.00	-22.14	



AEGIS LABS INC.

Spurious Radiated Emissions Test Results (Continued)

RADIATED EMISSIONS - Vertical Antenna Polarization												
<i>Freq. (MHz)</i>	<i>Meter Reading (dBuV)</i>	<i>Antenna Height (cm)</i>	<i>Azimuth (degrees)</i>	<i>Quasi pk or AVG (dBuV)</i>		<i>Preamp Factor (dB)</i>	<i>Cable Factor (dB)</i>	<i>Ant. Factor (dB)</i>	<i>Corrected Reading (dBuV)</i>	<i>Limits (dBuV)</i>	<i>Diff (dB) +=FAIL</i>	<i>Note</i>
3215.98	57.50	100	225			43.07	3.51	31.09	49.03	80.00	-30.97	Ch. 1
3215.98				53.71	A	43.07	3.51	31.09	45.24	60.00	-14.76	
6432.04	49.00	100	135			43.82	5.03	35.35	45.56	80.00	-34.44	
6432.04				36.20	A	43.82	5.03	35.35	32.76	60.00	-27.24	
9647.98	49.17	100	135			43.22	6.19	38.17	50.31	80.00	-29.69	
9647.98				36.20	A	43.22	6.19	38.17	37.34	60.00	-22.66	
3249.30	55.00	100	45			43.08	3.53	31.15	46.59	80.00	-33.41	Ch. 6
3249.30				51.52	A	43.08	3.53	31.15	43.11	60.00	-16.89	
6498.63	49.50	100	135			43.84	5.06	35.40	46.12	80.00	-33.88	
6498.63				37.28	A	43.84	5.06	35.40	33.90	60.00	-26.10	
9748.00	48.33	100	135			43.25	6.23	38.35	49.65	80.00	-30.35	
9748.00				36.04	A	43.25	6.23	38.35	37.36	60.00	-22.64	
3282.66	55.50	100	225			43.10	3.55	31.21	47.16	80.00	-32.84	Ch. 11
3282.66				51.94	A	43.10	3.55	31.21	43.60	60.00	-16.40	
6565.32	47.67	100	135			43.84	5.08	35.60	44.51	80.00	-35.49	
6565.32				35.68	A	43.84	5.08	35.60	32.52	60.00	-27.48	
9847.97	49.00	100	135			43.29	6.27	38.53	50.51	80.00	-29.49	
9847.97				36.64	A	43.29	6.27	38.53	38.15	60.00	-21.85	



AEGIS LABS INC.

PEAK TRANSMIT POWER

CLIENT:	Dell Computer Corporation	DATE:	01/03/05
EUT:	Dell Notebook Computer	PROJECT NUMBER:	INTEL-050103-01
MODEL NUMBER:	PP10S	TEST ENGINEER:	JC
SERIAL NUMBER:	JCXQ4A00288	SITE #:	2
CONFIGURATION:	Tested with an Intel PRO/Wireless 2200BG Network Connection installed in its mini PCI slot.	TEMPERATURE:	13 C
		HUMIDITY:	68% RH
		TIME:	8:15 AM

Standard:	FCC CFR 47, Part 15.247(b)(1)
Description:	The maximum peak output power of the intentional radiator shall not exceed 1 watt.
Results:	See Data Sheet

Peak Transmit Power Limits	
Frequency (MHz)	Output Power (W)
2412-2462	1

Page 47 of 71 (Appendix A)
Report Number: INTEL-050103F
FCC ID: E2K24GBRL



Peak Transmit Power (Continued)

Mode	Channel	Frequency (MHz)	Rate (Mbps)	Average Power (dBm)	Average Power (mW)	Peak Power (dBm)	Peak Power (mW)
802.11b	1	2412	1	14.00	25.12	16.25	42.17
802.11b	1	2412	5.5	13.10	20.42	16.15	41.21
802.11b	1	2412	11	12.50	17.78	16.20	41.69
802.11b	2	2417	1	14.60	28.84	17.35	54.33
802.11b	2	2417	5.5	14.20	26.30	17.30	53.70
802.11b	2	2417	11	13.00	19.95	16.80	47.86
802.11b	6	2437	1	15.00	31.62	17.15	51.88
802.11b	6	2437	5.5	14.10	25.70	17.05	50.70
802.11b	6	2437	11	13.50	22.39	17.15	51.88
802.11b	10	2457	1	14.80	30.20	16.90	48.98
802.11b	10	2457	5.5	14.00	25.12	16.85	48.42
802.11b	10	2457	11	13.30	21.38	16.80	47.86
802.11b	11	2462	1	14.05	25.41	16.30	42.66
802.11b	11	2462	5.5	13.20	20.89	16.20	41.69
802.11b	11	2462	11	12.50	17.78	16.25	42.17
802.11g	1	2412	6	6.65	4.62	16.30	42.66
802.11g	1	2412	36	5.30	3.39	16.15	41.21
802.11g	1	2412	54	4.75	2.99	16.05	40.27
802.11g	6	2437	6	6.20	4.17	16.00	39.81
802.11g	6	2437	36	4.95	3.13	15.90	38.90
802.11g	6	2437	54	4.30	2.69	16.00	39.81
802.11g	11	2462	6	6.50	4.47	16.05	40.27
802.11g	11	2462	36	5.20	3.31	16.00	39.81
802.11g	11	2462	54	4.70	2.95	15.95	39.36

NOTE: The output power measurement is conducted.



AEGIS LABS INC.

6 dB EMISSIONS BANDWIDTH

CLIENT:	Dell Computer Corporation	DATE:	01/03/05
EUT:	Dell Notebook Computer	PROJECT NUMBER:	INTEL-050103
MODEL NUMBER:	PP10S	TEST ENGINEER:	JC
SERIAL NUMBER:	JCXQ4A00288	SITE #:	2
CONFIGURATION:	Tested with an Intel PRO/Wireless 2200BG Network Connection installed in its mini PCI slot.	TEMPERATURE:	17 C
		HUMIDITY:	58% RH
		TIME:	9:15 AM

Standard:	FCC CFR 47, Part 15.247(a)(2)
Description:	The minimum 6dB bandwidth shall be at least 500 kHz.
Results:	See Data Sheets

Page 49 of 71 (Appendix A)
Report Number: INTEL-050103F
FCC ID: E2K24GBRL



AEGIS LABS INC.

PEAK POWER SPECTRAL DENSITY

CLIENT:	Dell Computer Corporation	DATE:	01/03/05
EUT:	Dell Notebook Computer	PROJECT NUMBER:	INTEL-050103
MODEL NUMBER:	PP10S	TEST ENGINEER:	JC
SERIAL NUMBER:	JCXQ4A00288	SITE #:	2
CONFIGURATION:	Tested with an Intel PRO/Wireless 2200BG Network Connection installed in its mini PCI slot.	TEMPERATURE:	17 C
		HUMIDITY:	58% RH
		TIME:	9:15 AM

Standard:	FCC CFR 47, Part 15.247(d)
Description:	The peak power spectral density conducted from the intentional radiator to the antenna shall not be greater than 8 dBm in any 3 kHz band during any time interval of continuous transmission.
Results:	See Data Sheets

Peak Power Spectral Density Limits

Frequency (MHz)	Limit (dBm)
2412-2462	8

Page 54 of 71 (Appendix A)
Report Number: INTEL-050103F
FCC ID: E2K24GBRL



AEGIS LABS INC.

CONDUCTED OUT OF BAND EMISSIONS

CLIENT:	Dell Computer Corporation	DATE:	01/03/05
EUT:	Dell Notebook Computer	PROJECT NUMBER:	INTEL-050103
MODEL NUMBER:	PP10S	TEST ENGINEER:	JC
SERIAL NUMBER:	JCXQ4A00288	SITE #:	2
CONFIGURATION:	Tested with an Intel PRO/Wireless 2200BG Network Connection installed in its mini PCI slot.	TEMPERATURE:	17 C
		HUMIDITY:	58% RH
		TIME:	9:15 AM

Standard:	FCC CFR 47, Part 15.247(c)
Description:	In any 100 kHz bandwidth outside the frequency band in which the spread spectrum intentional radiator is operating, the radio frequency power that is produced by the intentional radiator shall be at least 20 dB below that in the 100 kHz bandwidth within the band that contains the highest level of the desired power.

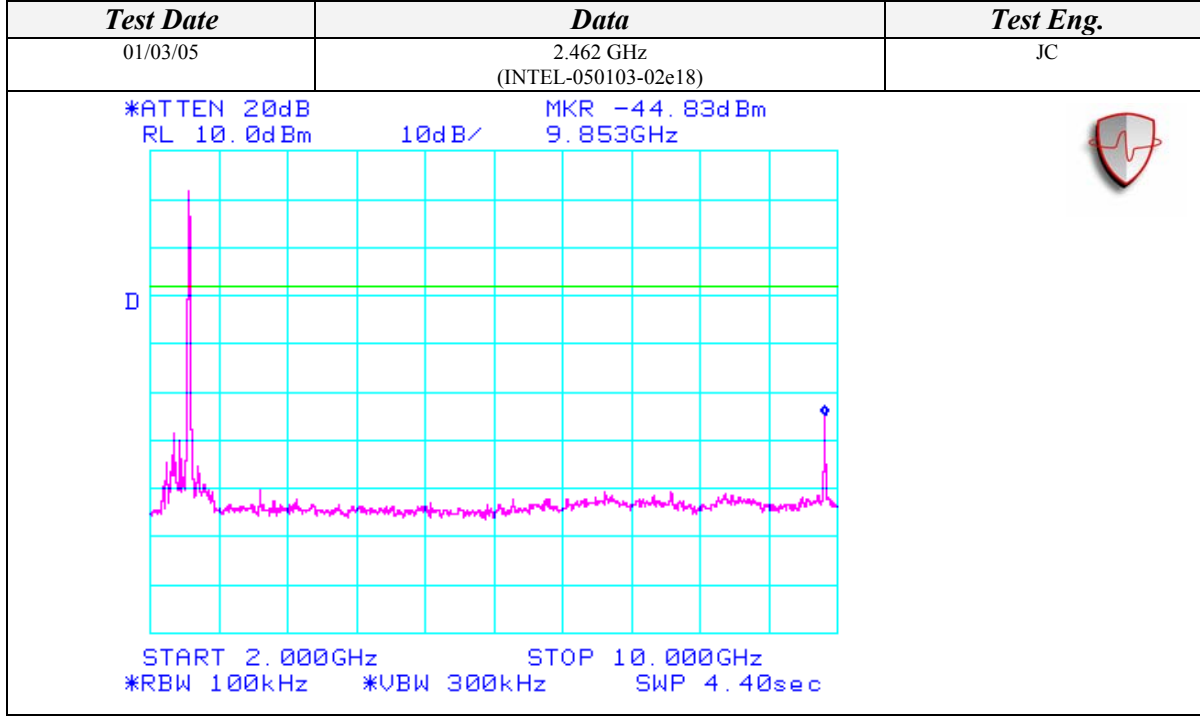
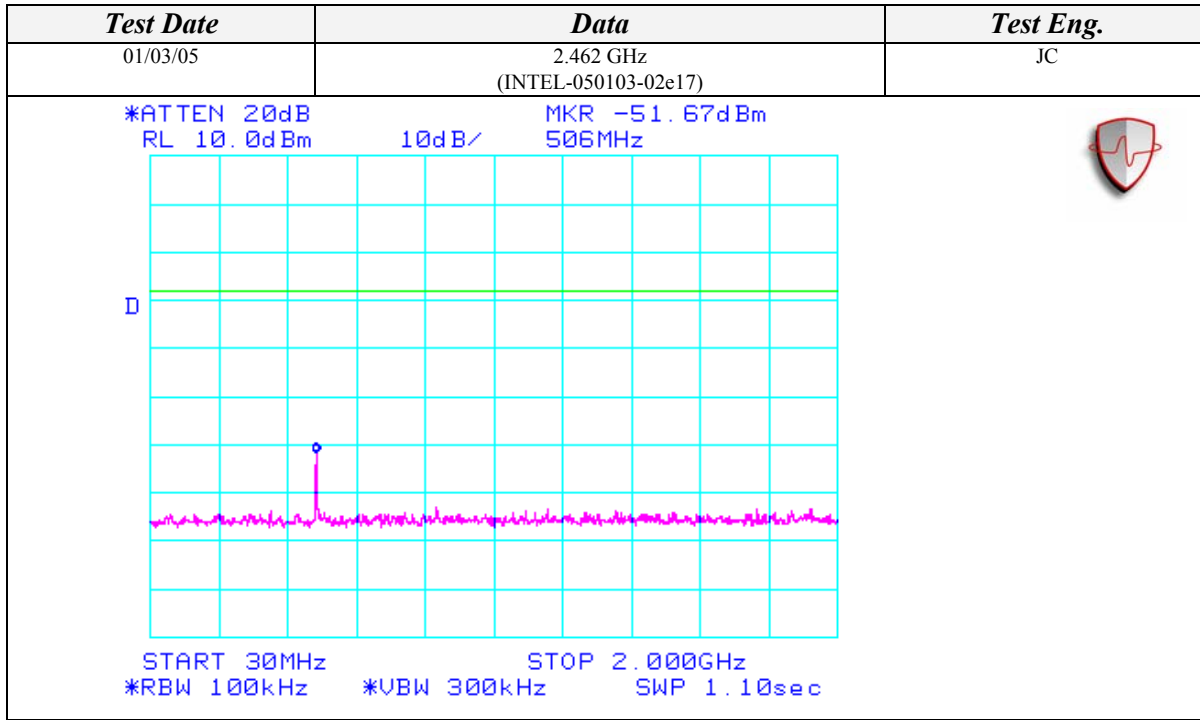
Page 59 of 71 (Appendix A)
Report Number: INTEL-050103F
FCC ID: E2K24GBRL



AEGIS LABS INC.

Conducted Out Of Band Emissions (Continued)

802.11b Mode



Page 64 of 71 (Appendix A)
Report Number: INTEL-050103F
FCC ID: E2K24GBRL

