

Antenna Type	Monopole Type	
Antenna Model Number	HFT06	
Peak Gain	2GHz	1.7dBi
	5GHz	3.7dBi
Manufacturing Info	MFJ(Multi Frame Joiner) Type	
Antenna Dimension(Mechanical Drawings)	EH3849172 (Antenna ~ Transfer)	
	EH3849173 (Transfer ~ Connector)	
Cable Length	Main Antenna	307mm (Antenna ~ Transfer)
		240mm (Transfer ~ Connector)
	Aux Antenna	467mm (Antenna ~ Transfer)
		219mm (Transfer ~ Connector)
Cable Loss(including connector)	2GHz	2.2dB/m
	5GHz	3.8dB/m
Antenna Material	Antenna Element	MFJ (Hitachi Cable)
	Cable	Coaxial Cable (Hitachi Cable)
	Transfer	MMCX Connector (Molex or Aliner)
	Connector	Micro Coaxial Connector (I-PEX or Hirose)
Connector Info(general description)	Micro Coaxial Connector	

Pictures of Antennas



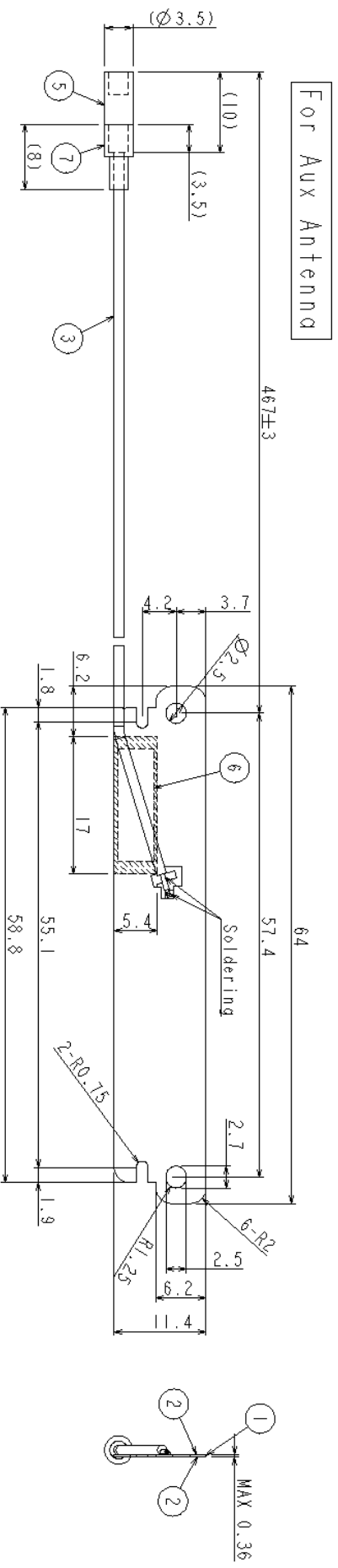
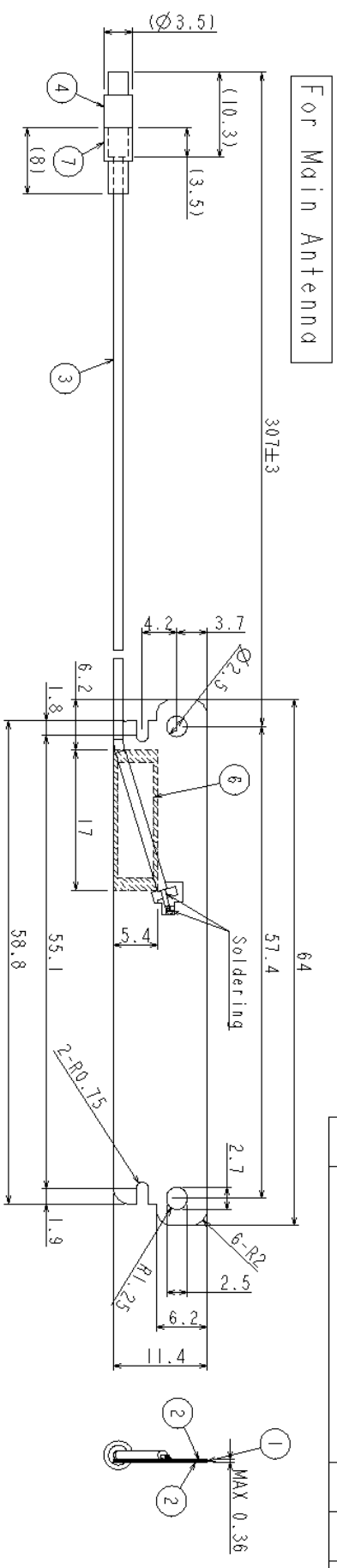
Front View



Back side View

EH3849172

MARK	REVISION	DATE	NAME	CHKD



No.	Description
①	Conductor
②	Insulating Film
③	Coaxial Cable
④	MMCX JACK
⑤	MMCX PLUG
⑥	Product Label
⑦	Tube

TOLERANCES OF DIMENSIONS		TOLERANCE	
Dimension		Tolerance	
6	- 6	±0.1	
30	- 30	±0.2	
		±0.3	

DWN.	K. ENDO	03.04.23
CHKD.	Y. YAMAMOTO	REGD. PROJ.
APPD.	H. TATE	
SCALE	N.T.S	

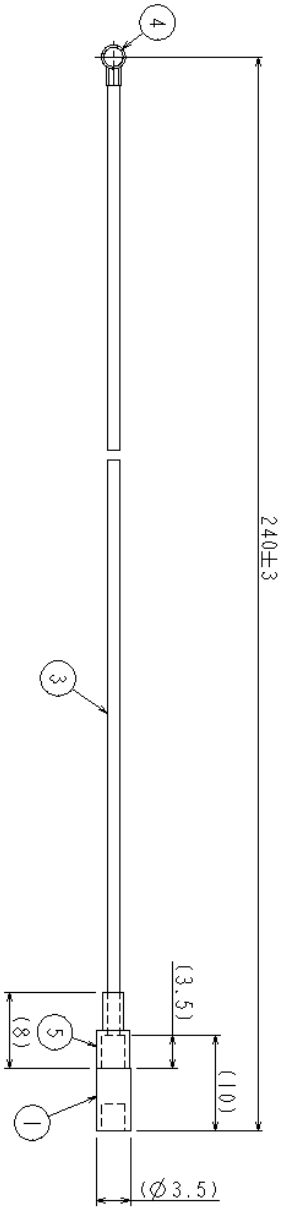
Hitachi Cable, Ltd.
Hitaka Works

TITLE
HFT06-DL01-AS
EH3849172

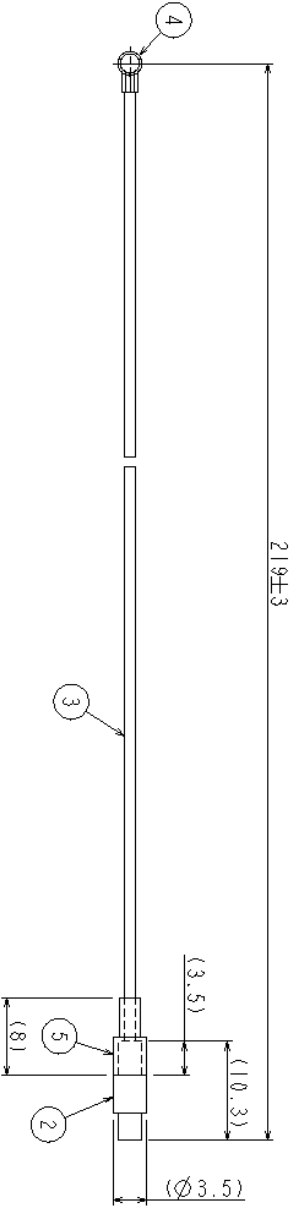
EH3849173

MARK	REVISION	DATE	NAME	CHKD

For Main Antenna



For Aux Antenna



No.	Description
①	MMCX PLUG
②	MMCX JACK
③	Coaxial Cable
④	Connector
⑤	Tube

TOLERANCES OF DIMENSIONS		Tolerance	
Dimension		±0.1	±0.2
6	- 6	±0.2	±0.3
30	- 30	±0.3	±0.3

DWN.	K. ENDO	03.04.23
CHKD.	Y. YAMAMOTO	REGD. PROJ.
APPD.	H. TATE	
SCALE	N.T.S	

TITLE
HFT06-DL01-MS

Hitachi Cable, Ltd.
Hitaka Works

EH3849173

