

# Declaration

Model Information:	
Applicant's Name:	BYD Precision Manufacture Co., Ltd.
Applicant's Business Address:	No.3001, Baohe Road, Baolong Industrial, Longgang, Shenzhen, 518116, P.R.China
Model Name:	T02D
HW version:	MP
SW version:	YTP802A110830

## Description:

We(BYD)declare,

The main differences conducted to 2nd source as below:

1. Add 2<sup>nd</sup> source adapter P/N LA10EUNM130(for EU) & LA10USNM130(for US);
2. Add 2<sup>nd</sup> source LCD P/N T09ADFC08002A;

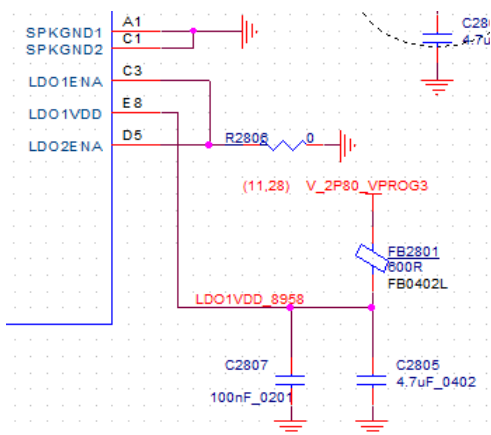
Hardware change history is list below

Date	Version	Hardware	Change Note
2014/3/31	01	DVT-B	Initial version
2014/6/15	02	MP	Refer to below part1

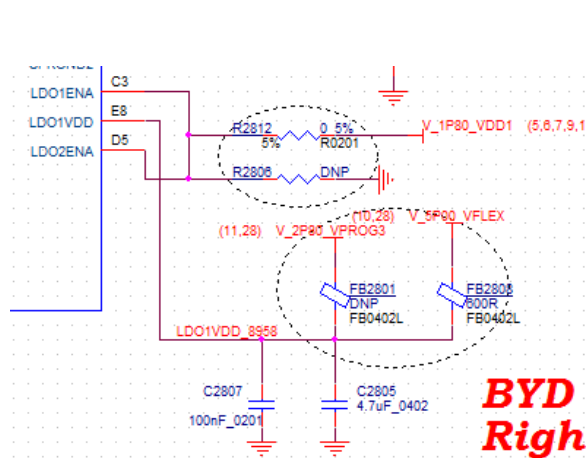
Part1

## 1、AVDD1&DCVDD Changed to internal LDO to improve power consumption and resolve earphone detect issue.

**DVT-B**



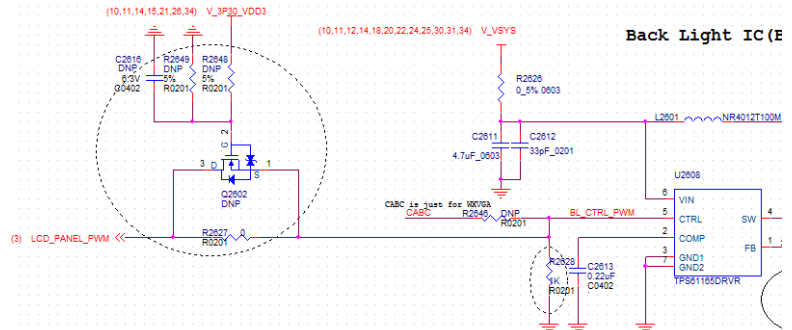
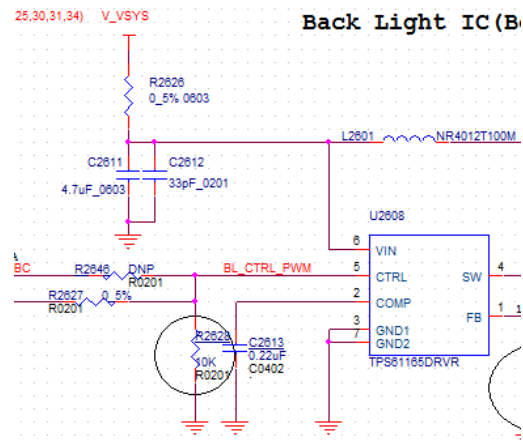
**MP**



2、 Change R2628 from 10K to 1K for LCD flicker while power on. And add reserve circuit to avoid LCD flick issue if the current solution is not OK.

DVT-B

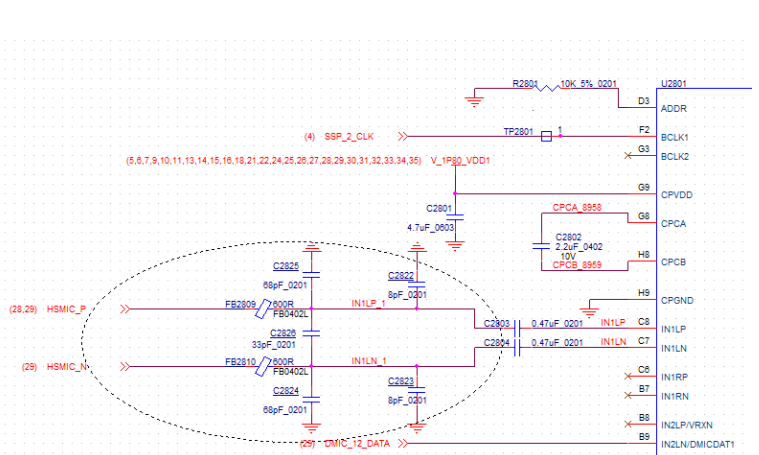
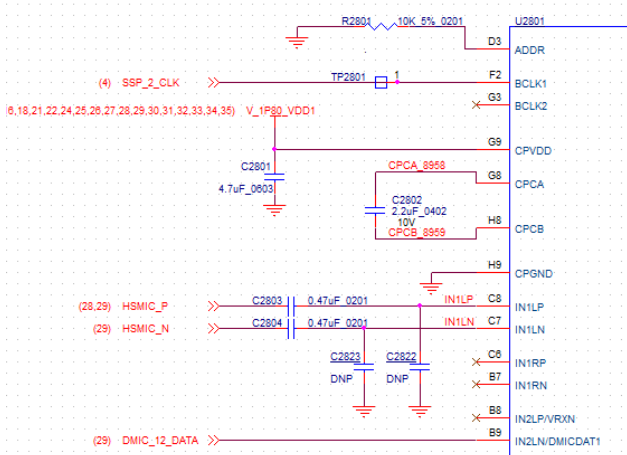
MP



3、 ADD C2822,C2823,C2824,C2825,C2826,FB2809,FB2810 to filter TDMA Noise.

DVT-B

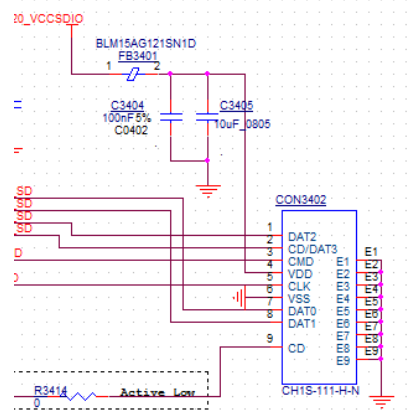
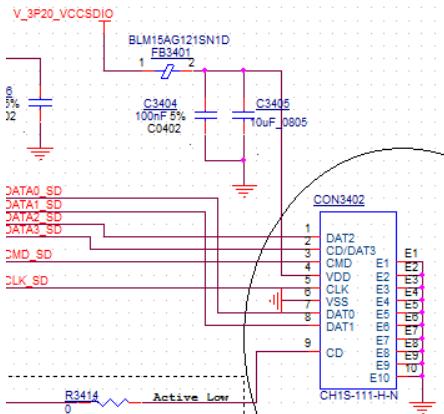
MP



4、 Delete pin E10, because this pin is easily short to SD card's frame GND and after del E10 pin it will not influence the reliability.

DVT-B

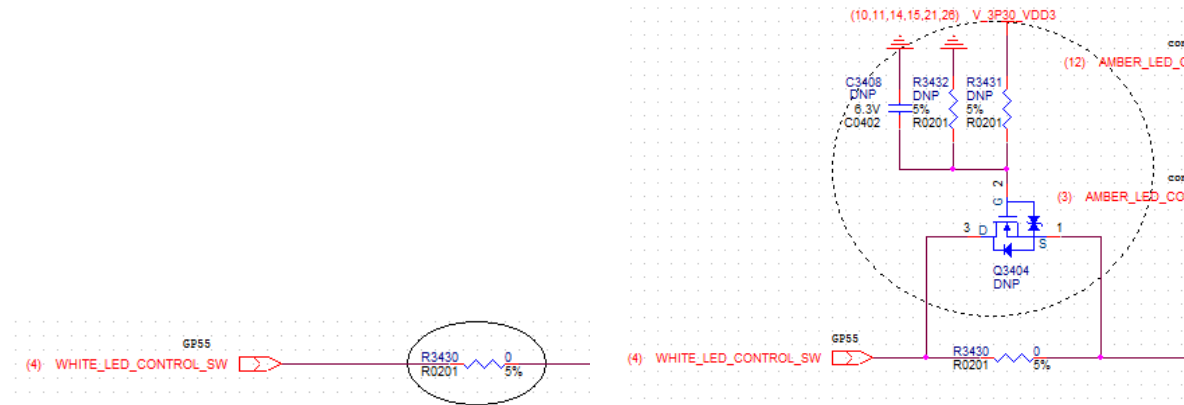
MP



5、Reserve a circuit to solve LED blink when press power button to power on issue.

DVT-B

MP



This declaration is issued to: Sporton International Inc.

Person responsible for making this statement.

Name/Surname: 宋万方

Position/Title: Certificate Engineer

Address/Location: No.3001,Baohe Road, Baolong Industrial, Longgang, Shenzhen, 518116 , P.R., China

Issue Date: 2014/9/12