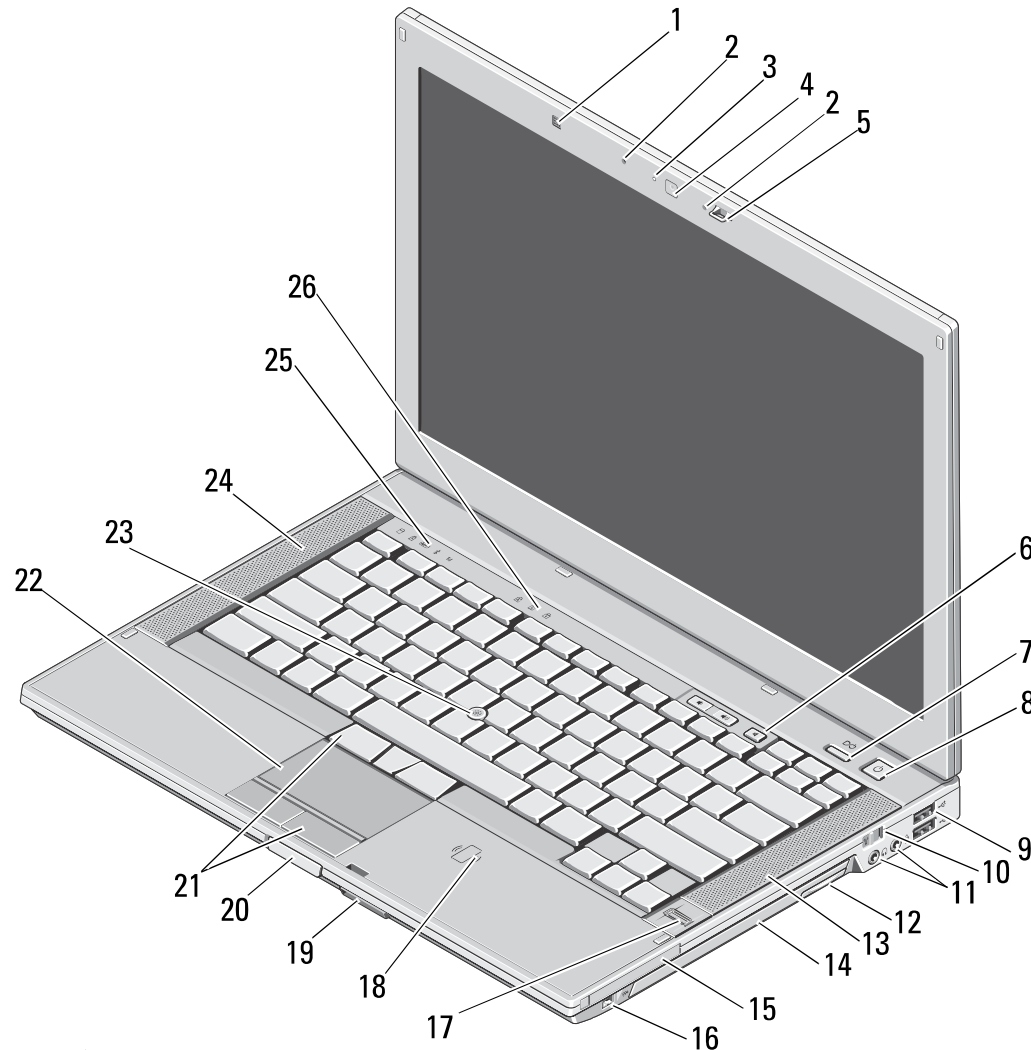


Dell™ Latitude™ E6410 /E6410 ATG

Setup and Features Information

Latitude E6410 — Front View



About Warnings



WARNING: A WARNING indicates a potential for property damage, personal injury, or death.

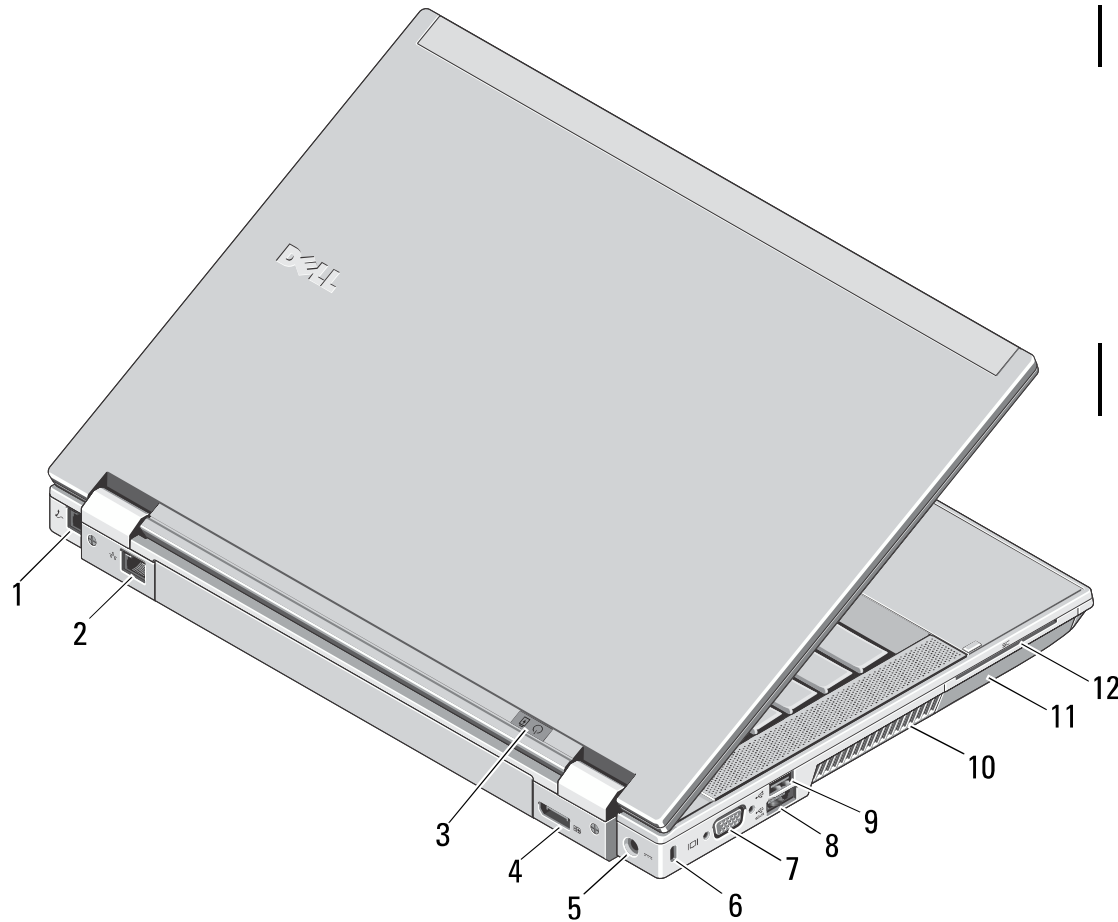
- | | |
|----------------------------------|---|
| 1 Ambient Light Sensor (ALS) | 2 stereo microphones (optional) |
| 3 camera LED (optional) | 4 camera (optional) |
| 5 display latch | 6 volume control buttons |
| 7 Dell Latitude ON™ button | 8 power button |
| 9 USB 2.0 connectors (2) | 10 wireless switch |
| 11 audio connectors | 12 CD/DVD/Blu-ray disc removal button |
| 13 right speaker | 14 CD/DVD/Blu-ray disc drive |
| 15 PC card or Express card slot | 16 IEEE 1394 connector |
| 17 fingerprint reader (optional) | 18 contactless smart card reader (optional) |
| 19 Secure Digital (SD) card slot | 20 display latch release button |
| 21 touchpad/trackstick buttons | 22 touchpad |
| 23 trackstick | 24 left speaker |
| 25 device status lights | 26 keyboard status lights |



Regulatory Model: PP27LA Regulatory Type: PP27LA001

January 2010

Latitude E6410 — Back View

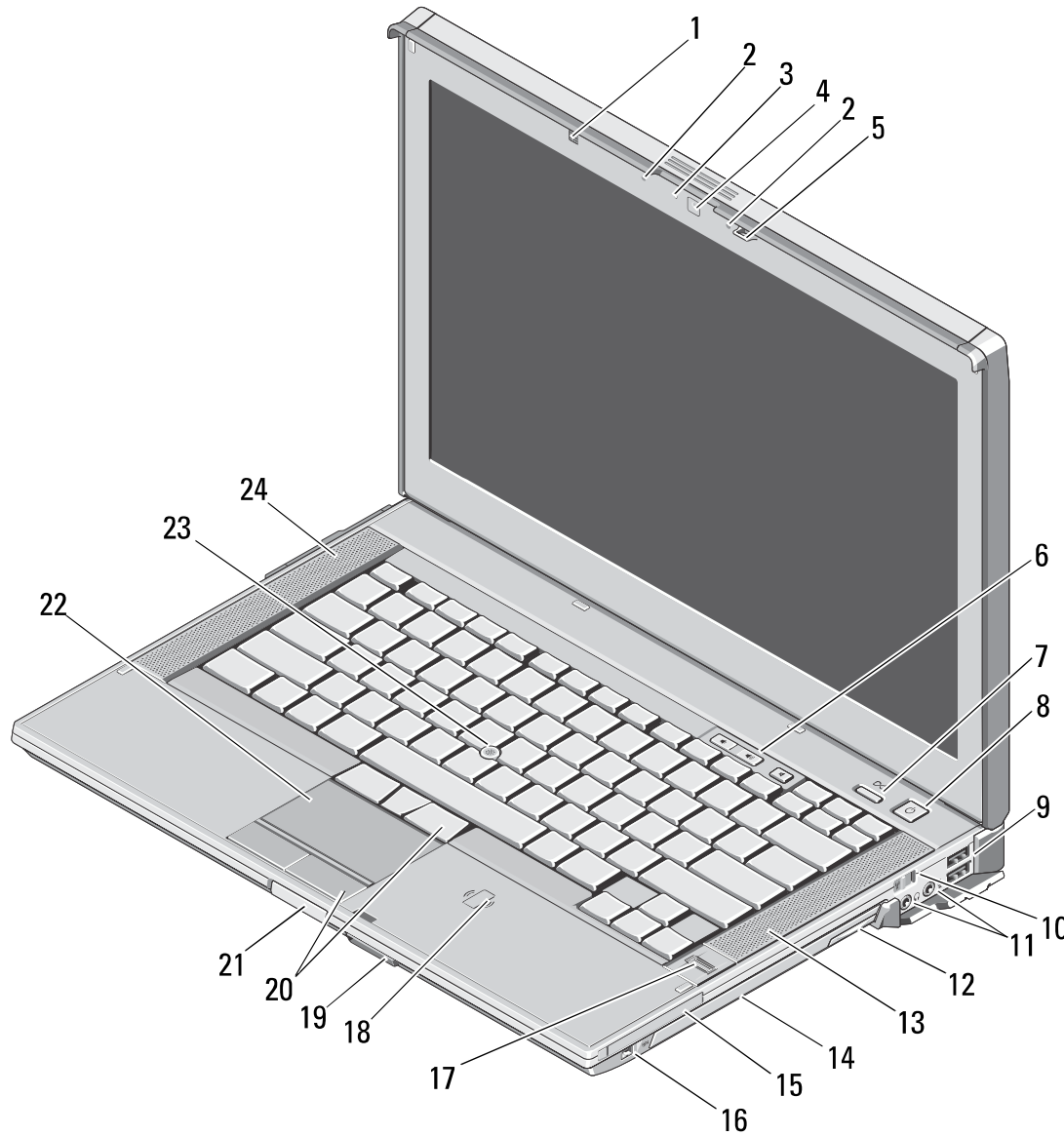


- 1 modem connector (Optional modem daughter card)
- 2 network connector
- 3 power/battery indicators
- 4 multimode DisplayPort connector
- 5 AC adapter connector
- 6 security cable slot
- 7 video connector (VGA)
- 8 e-SATA/USB 2.0 connector
- 9 powered USB 2.0 connector
- 10 cooling vent
- 11 hard drive
- 12 smart card slot



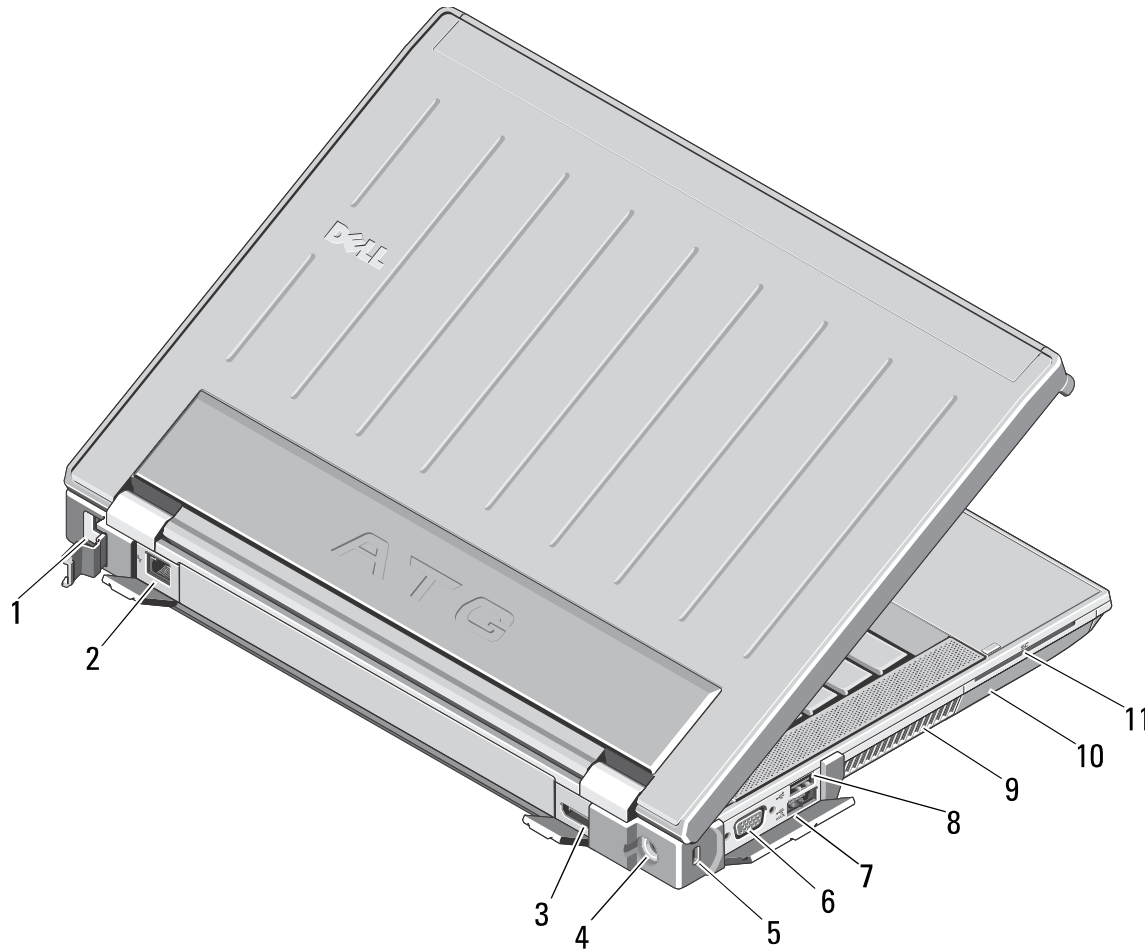
WARNING: Do not block, push objects into, or allow dust to accumulate in the air vents. Do not store your Dell computer in a low-airflow environment, such as a closed briefcase, while it is running. Restricting the airflow can damage the computer or cause a fire. The computer turns on the fan when the computer gets hot. Fan noise is normal and does not indicate a problem with the fan or the computer.

Latitude E6410 ATG— Front View



- | | |
|---|--|
| 1 Ambient Light Sensor (ALS) | 2 stereo microphone (optional) |
| 3 camera LED (optional) | 4 camera (optional) |
| 5 display latch | 6 volume control buttons |
| 7 Dell Latitude ON™ button | 8 power button |
| 9 USB 2.0 connectors (2) | 10 wireless switch |
| 11 audio connectors | 12 CD/DVD/Blu-ray disc drive removal button |
| 13 right speaker | 14 CD/DVD/Blu-ray disc drive |
| 15 PC card or Express card slot | 16 IEE 1394 connector |
| 17 fingerprint reader (optional) | 18 contactless smart card reader |
| 19 Secure Digital (SD) slot | 20 touchpad/trackstick buttons |
| 21 display latch release button | 22 touchpad |
| 23 trackstick | 24 left speaker |

Latitude E6410 ATG— Back View



- 1 modem connector
- 2 network connector
- 3 multitude DisplayPort connector
- 4 AC adapter connector
- 5 security cable slot
- 6 video connector (VGA)
- 7 powered USB 2.0 connector
- 8 eSATA/USB 2.0 connector
- 9 cooling vent
- 10 hard drive
- 11 smart card slot



WARNING: Do not block, push objects into, or allow dust to accumulate in the air vents. Do not store your Dell computer in a low-airflow environment, such as a closed briefcase, while it is running. Restricting the airflow can damage the computer or cause a fire. The computer turns on the fan when the computer gets hot. Fan noise is normal and does not indicate a problem with the fan or the computer.

Quick Setup



WARNING: Before you begin any of the procedures in this section, read the safety information that shipped with your computer. For additional best practices information, see www.dell.com/regulatory_compliance.



WARNING: The AC adapter works with electrical outlets worldwide. However, power connectors and power strips vary among countries. Using an incompatible cable or improperly connecting the cable to the power strip or electrical outlet may cause fire or equipment damage.



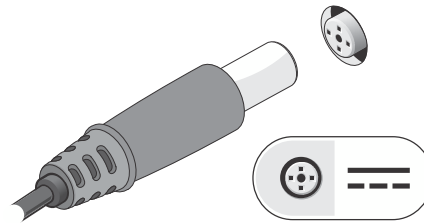
CAUTION: When you disconnect the AC adapter cable from the computer, grasp the connector, not the cable itself, and pull firmly but gently to avoid damaging the cable. When you wrap the AC adapter cable, ensure that you follow the angle of the connector on the AC adapter to avoid damaging the cable.



NOTE: Some devices may not be included if you did not order them.

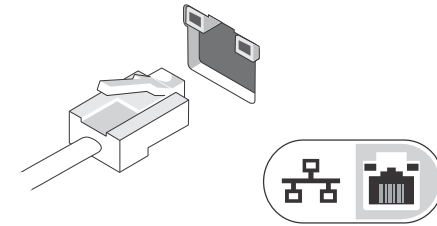
1

Connect the AC adapter to the AC adapter connector on the portable computer and to the electrical outlet.



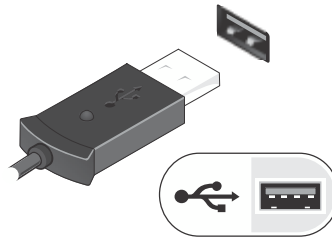
2

Connect the network cable (optional).



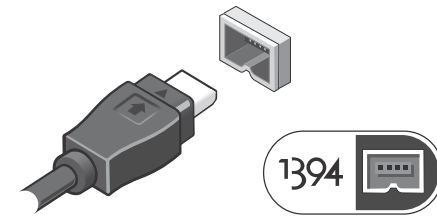
3

Connect USB devices, such as a mouse or a keyboard (optional).



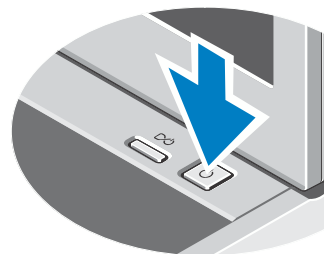
4

Connect IEEE 1394 devices, such as a DVD player (optional).



5

Open the computer display and press the power button to turn on the computer.



NOTE: It is recommended that you turn on and shut down your computer at least once before you install any cards or connect the computer to a docking device or other external device, such as a printer.

Specifications



NOTE: Offerings may vary by region. For more information regarding the configuration of your computer, click **Start**→ **Help and Support** and select the option to view information about your computer.

System Information

Processor type	Intel® Core™ i5 Intel Core i7
Chipset	Mobile Intel 5 series (QM57)

Video

Video type:	UMA video or Discrete video
Data bus	PCI-E x 16 Gen1 (for 620M, 540M, or 520M processors)
Video controller	Intel Graphics or NVIDIA® Quadro® NVS 3100M

Memory

Type	DDR3, 1066 MHz(620M, 540M, or 520M processors) DDR3, 1066 MHz
Memory module connector	two SODIMM slots
Memory module capacity	1 GB, 2 GB, 4 GB, and 8 GB
Minimum memory	1 GB
Maximum memory	8 GB

Contactless Smart Card

Supported Smart Cards/Technologies	ISO14443A -- 106kbps, 212kbps, 424kbps, and 848kbps ISO14443B -- 106kbps, 212kbps, 424kbps, and 848kbps ISO15693 HID iClass FIPS201 NXP Desfire
------------------------------------	--

Battery

Type	4-cell "smart" lithium ion (37 WHr) 6-cell "smart" lithium ion (60 WHr) 9-cell "smart" lithium ion (81 WHr) 9-cell "smart" lithium ion (90 WHr) 12-cell "smart" lithium ion slice (84 WHr)		
Dimensions:	Depth	Height	Width
4-cell	8.11 inches (206.00 mm)	0.78 inch (19.80 mm)	1.85 inches (47.00 mm)
6-cell	8.11 inches (206.00 mm)	0.78 inch (19.80 mm)	1.85 inches (47.00 mm)
9-cell	8.18 inches (208.00 mm)	0.87 inch (22.30 mm)	2.71 inches (69.00 mm)
12-cell	0.57 inch (14.48 mm)	8.55 inches (217.24 mm)	12.68 inches (322.17 mm)
Dimensions (continued)	Weight		
4-cell	0.52 lb (237.00 g)		
6-cell	0.72 lb (329.00 g)		

Battery (continued)

9-cell	1.06 lbs (485.00 g)
12-cell	1.87 lbs (850.00 g)
Voltage	11.10 V
Temperature range:	
Operating	0 °C to 35 °C (32 °F to 95 °F)
Storage	-40 °C to 60 °C (-40 °F to 149 °F)
Coin-cell battery	3 V CR2032 lithium coin cell

AC Adapter

Input voltage	100–240 V ~
Input current (maximum)	1.50 A or 2.50 A
Input frequency	50–60 Hz
Output power	65 W or 90 W
Output current	
65 W	3.34 A continuous (maximum at 4-second pulse)
90 W	4.34 A (maximum at 4-second pulse) 3.34 A (continuous)
Rated output voltage	19.50 V DC
Dimensions:	Depth Height Width
65 W	0.29 inch 0.63 inch 2.60 inches (127.00 mm) (16.00 mm) (66.00 mm)
90 W	5.78 inches 0.63 inch 2.75 inches (147.00 mm) (16.00 mm) (70.00 mm)

AC Adapter (continued)

Temperature range:	
Operating	0 °C to 35°C (32 °F to 95 °F)
Storage	-40 °C to 65 °C (-40 °F to 149 °F)

Physical

Height

Latitude 6410	1.00 inch (25.40 mm) 1.22 inches (31.20 mm)
Latitude 6410 ATG	1.23 inches (31.20 mm) with port cover: 1.55 inches (39.50 mm)

Width

Latitude 6410	13.18 inches (335.00 mm)
Latitude 6410 ATG	13.42 inches (341.00 mm)

Depth

Latitude 6410	11.15 inches (283.30 mm)
Latitude 6410 ATG	9.67 inches (245.80 mm)

Weight

Latitude 6410 (with 4-cell battery)	4.30 lbs (1.90 kg)
Latitude 6410 ATG (with 6-cell battery)	5.90 lbs (2.67 kg)

Environmental

Temperature range:

Operating	0 °C to 35 °C (32 °F to 95 °F)
Storage	-40 °C to 65 °C (-40 °F to 149 °F)

Relative humidity (maximum):

Operating	10% to 90% (noncondensing)
Storage	5% to 95% (noncondensing)

Altitude (maximum):

Operating	-15.2 to 3048 m (-50 to 10,000 ft)
Storage	-15.2 to 10,668 m (-50 to 35,000 ft)

Finding More Information and Resources

See the safety and regulatory documents that shipped with your computer and the regulatory compliance website at www.dell.com/regulatory_compliance for more information on:

- Safety best practices
- Warranty
- Terms and Conditions
- Regulatory certification
- Ergonomics
- End User License Agreement

**Information in this document is subject to change without notice.
© 2010 Dell Inc. All rights reserved. Printed in the U.S.A.**

Reproduction of these materials in any manner whatsoever without the written permission of Dell Inc. is strictly forbidden.

Trademarks used in this text: *Dell*, the *DELL* logo, *Latitude*, and *Latitude ON* are trademarks of Dell Inc.; *Intel* is a registered trademark and *Core* is a trademark of Intel Corporation in the U.S. and other countries. *NVIDIA* and *Quadro* are trademarks of NVIDIA Corporation in the U.S. and other countries.

Other trademarks and trade names may be used in this document to refer to either the entities claiming the marks and names or their products. Dell Inc. disclaims any proprietary interest in trademarks and trade names other than its own.