

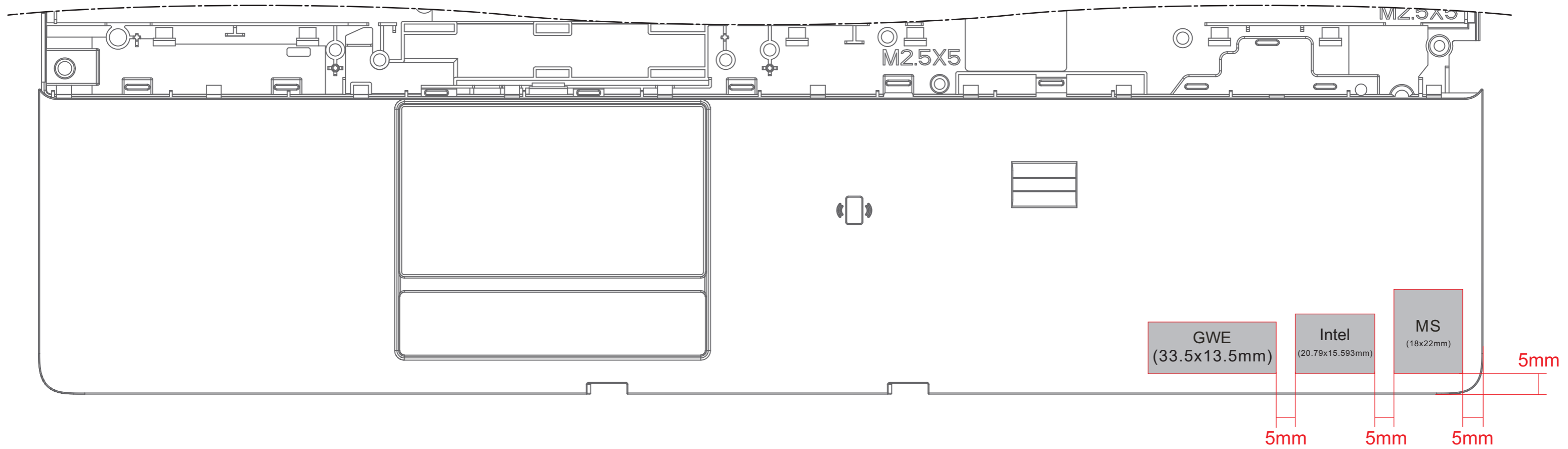
REVISIONS	
REV	DESCRIPTION

**NOTE:**

1. MATERIAL: WHITE POLYESTER FILM, T:0.05mm
2. THICKNESS: T:0.075mm (INCLUDE SINGLE STICK)
3. COLOR: BACKGROUND: BLACK GE 701  
CHARACTER: PMS431C
4. ADHESIVE: ACRYLIC ADHESIVE
5. MATERIAL NO.: EJ0FH000500
6. USE WATER DISSOLVING INK
7. INK CONTAINS HEAVY METAL IS PROHIBITED
8. PIECE BY PIECE

Security Classification		B. 影響產品上市(開發階段)	
Decipher date		2010/12/11	
SIGNATURE		DATE	
DE BY.	Lynn_Li	11/11/10	<b>Compal Electronics, Inc.</b> PROJECT/ <b>PAL60</b> <b>REGULATORY LABEL</b>
DL BY.			
DM BY.			
SCALE	100%	SIZE	A4
DRAWING NO.		REV	
RATING NP 0FH REG NBK WW E6520 5P328		00	
<small>THIS SHEET OF ENGINEERING DRAWING IS THE PROPRIETARY PROPERTY OF COMPAL ELECTRONICS, INC. AND CONTAINS CONFIDENTIAL AND TRADE SECRET INFORMATION. THIS SHEET MAY NOT BE TRANSFERRED FROM THE CUSTODY OF THE COMPETENT DIVISION OF R&amp;D DEPARTMENT EXCEPT AS AUTHORIZED BY COMPAL ELECTRONICS, INC. NEITHER THIS SHEET NOR THE INFORMATION IT CONTAINS MAY BE USED BY OR DISCLOSED TO ANY THIRD PARTY WITHOUT PRIOR WRITTEN OF COMPAL ELECTRONICS, INC.</small>			

Macallan 15 Label Plan					
REV	ECO	DESCRIPTION	DATE	Designer	Approved
X00		Initial Release	05.20.2010	Kay_Chou	
X01		Update Bottom Door Label Location, COO and Service Tag Color & Printing Label Info, Base Lower Drawing, Palmrest Drawing Add One More Mii Label on Base Door	07.21.2010	Kay_Chou	
X02		Update COA Label Size	07.23.2010	Kay_Chou	
X03		Add PPID Label on Base Door Core Side	08.13.2010	Kay_Chou	
X04		Update Bottom Door Strike Zone	09.07.2010	Kay_Chou	
X05		Update Printing Label Info & Location, Regulatory Label Size, PPID Label Location	10.08.2010	Kay_Chou	
X06		Update Bottom Door Regulatory Label & Service Tag	10.26.2010	Kay_Chou	

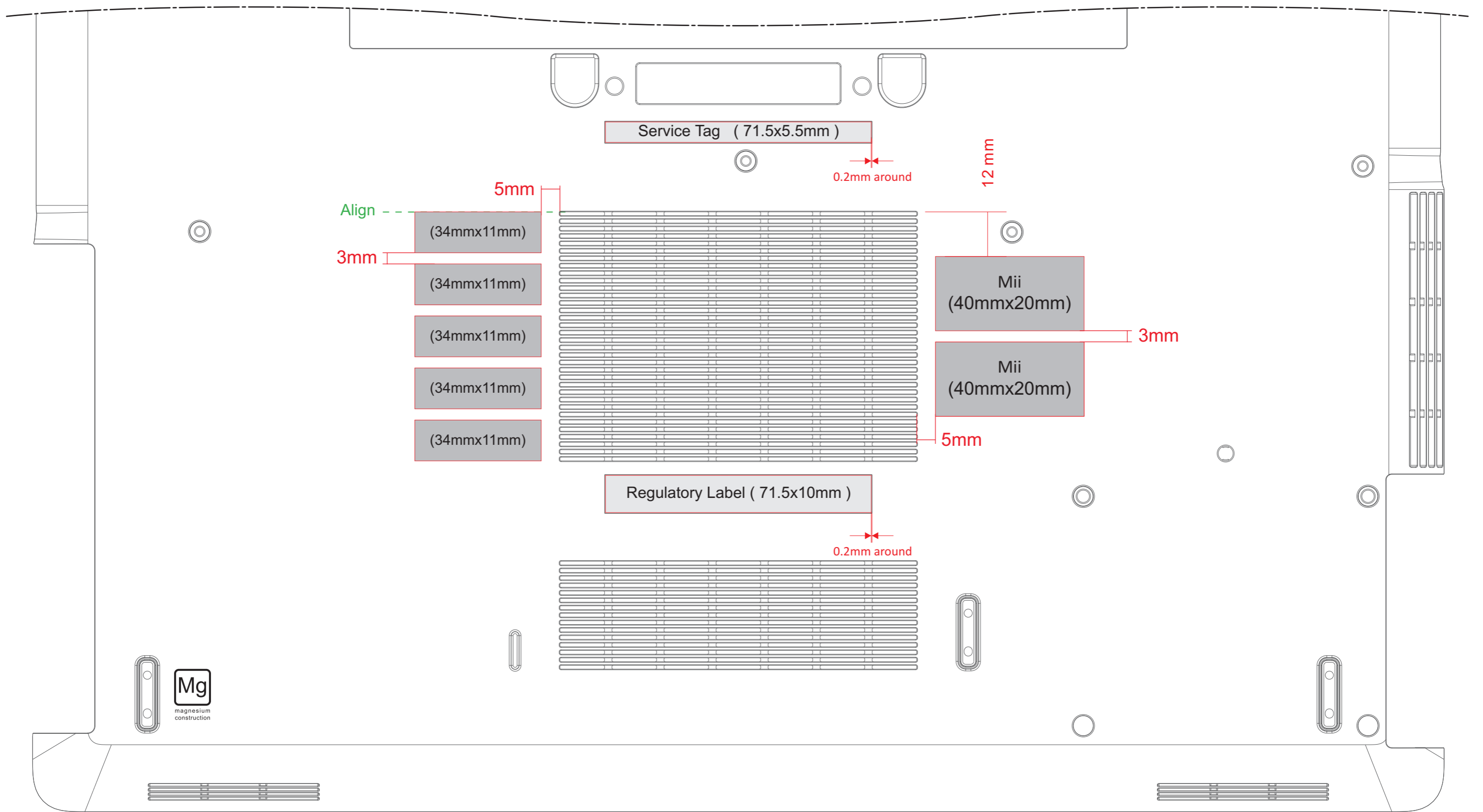


# Macallan\_15\_Palmrset\_Label

Expiration Date	2011.06.03		Security Classification		B. RD Phase		
Engineer	Kay_Chou		Sheet	1 of 1	Date	2010.10.26	Rev. 06
Designer	Robert_Pai		Title Macallan_15_Palmrest_Label				
Approved							
Scale	1:1	Unit.	mm	Drawing No.	Macallan_15_Palmrest_Label		



THIS SHEET OF ENGINEERING DRAWING IS THE PROPRIETARY PROPERTY OF COMPAL ELECTRONICS, INC. AND CONTAINS CONFIDENTIAL AND TRADE SECRET INFORMATION. THIS SHEET MAY NOT BE TRANSFERRED FROM THE CUSTODY OF THE COMPETENT DIVISION OF R&D DEPARTMENT EXCEPT AS AUTHORIZED BY COMPAL ELECTRONICS, INC. NEITHER THIS SHEET NOR THE INFORMATION IT CONTAINS MAY BE USED BY OR DISCLOSED TO ANY THIRD PARTY WITHOUT PRIOR WRITTEN CONSENT OF COMPAL ELECTRONICS, INC.



Possible Labels				
	Anatel 34mmx11mm only for Brazil	SIRIM 15mmx10mm only for Malaysia	ICASA 19.1mmx6.4mm only for South Africa	CMIIT 20mmx7mm only for China

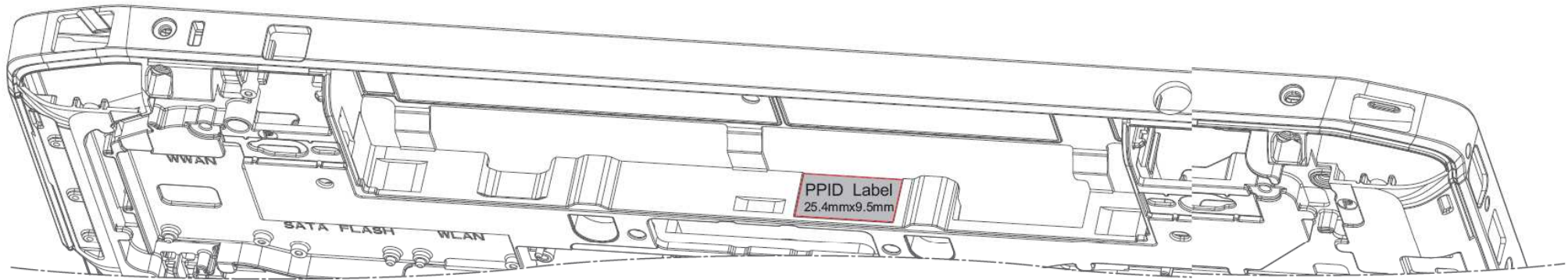
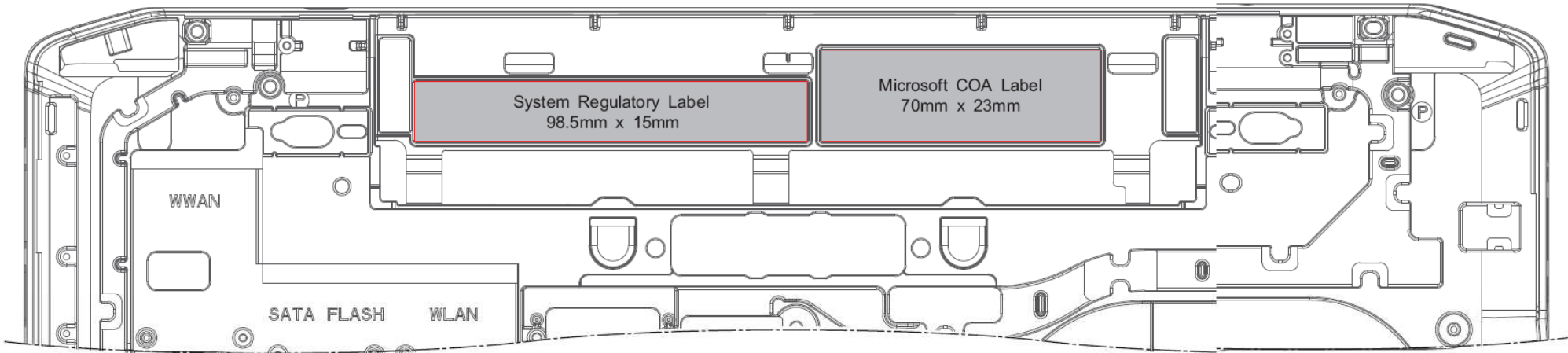
# Macallan\_15\_Base Door\_Label

( Base Door )

Expiration Date	2011.06.03	Security Classification			B. RD Phase		
Engineer	Kay_Chou	Sheet	1 of 1	Date	2010.10.26	Rev.	06
Designer	Robert_Pai	Title Macallan_15_Base Door_Label					
Approved							
Scale	1:1	Unit.	mm	Drawing No.	Macallan_15_Base Door_Label		



THIS SHEET OF ENGINEERING DRAWING IS THE PROPRIETARY PROPERTY OF COMPAL ELECTRONICS, INC. AND CONTAINS CONFIDENTIAL AND TRADE SECRET INFORMATION. THIS SHEET MAY NOT BE TRANSFERRED FROM THE CUSTODY OF THE COMPETENT DIVISION OF R&D DEPARTMENT EXCEPT AS AUTHORIZED BY COMPAL ELECTRONICS, INC. NEITHER THIS SHEET NOR THE INFORMATION IT CONTAINS MAY BE USED BY OR DISCLOSED TO ANY THIRD PARTY WITHOUT PRIOR WRITTEN CONSENT OF COMPAL ELECTRONICS, INC.



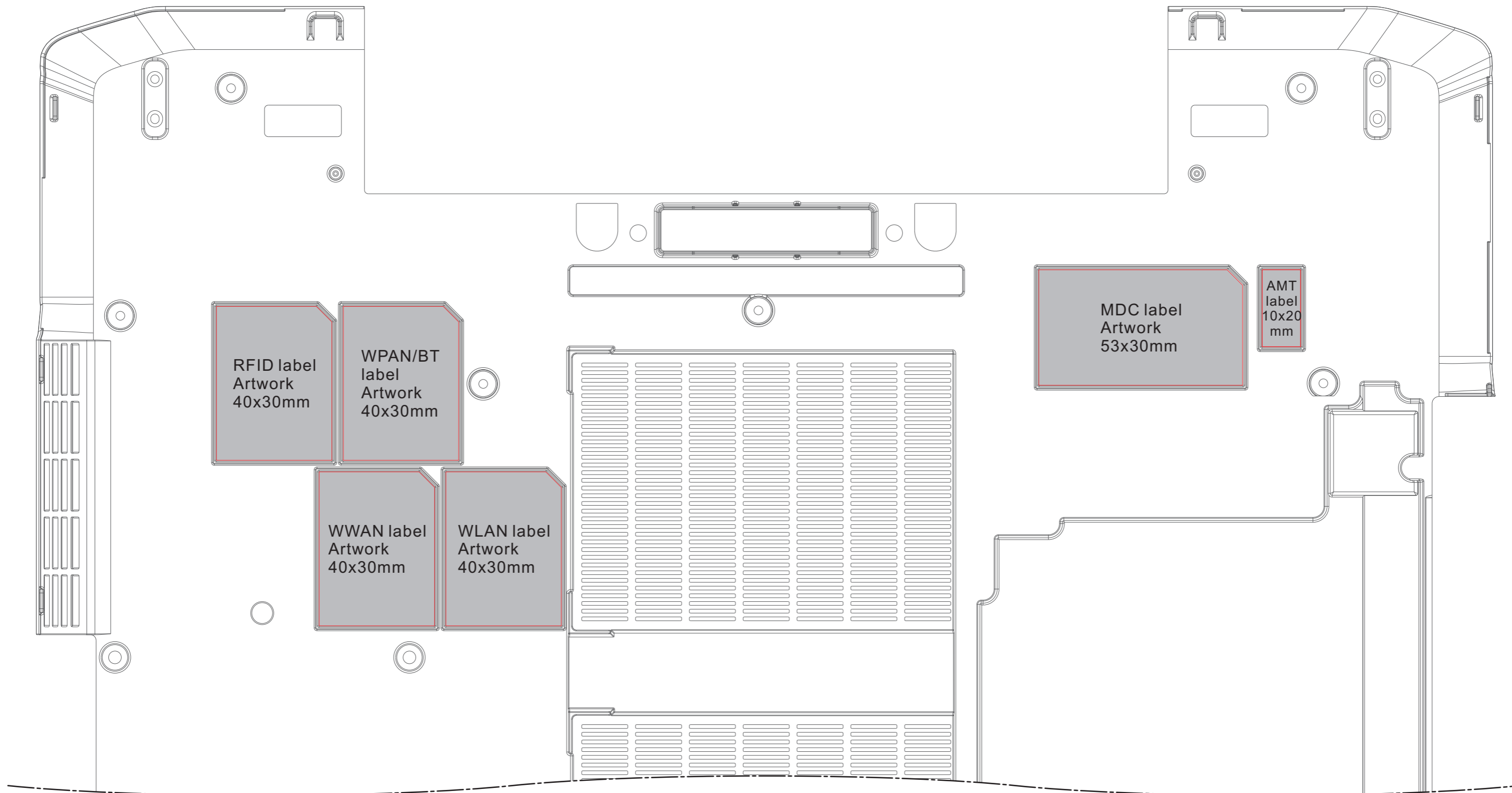
This device complies with Part 15 of the FCC Rules. Operation is subject to the following two conditions:

- (1) this device may not cause harmful interference and
- (2) this device must accept any interference received, including interference that may cause undesired operation.

## Macallan\_15\_Base Lower\_Label

(Stick Labels on Logic Lower Core Side)

Expiration Date	2011.06.03	Security Classification			B. RD Phase		
Engineer	Kay_Chou	Sheet	1 of 1	Date	2010.10.26	Rev.	06
Designer	Robert_Pai	Title Macallan_15_Base Lower_Label					
Approved		Drawing No. Macallan_15_Base Lower_Label					
Scale	1:1	Unit.	mm				
<b>COMPAL</b> INDUSTRIAL DESIGN CENTER		<small>THIS SHEET OF ENGINEERING DRAWING IS THE PROPRIETARY PROPERTY OF COMPAL ELECTRONICS, INC. AND CONTAINS CONFIDENTIAL AND TRADE SECRET INFORMATION. THIS SHEET MAY NOT BE TRANSFERRED FROM THE CUSTODY OF THE COMPETENT DIVISION OF R&amp;D DEPARTMENT EXCEPT AS AUTHORIZED BY COMPAL ELECTRONICS, INC. NEITHER THIS SHEET NOR THE INFORMATION IT CONTAINS MAY BE USED BY OR DISCLOSED TO ANY THIRD PARTY WITHOUT PRIOR WRITTEN CONSENT OF COMPAL ELECTRONICS, INC.</small>					



# Macallan\_15\_Base Door\_Label

( Base Door )

Expiration Date	2011.06.03	Security Classification			B. RD Phase		
Engineer	Kay_Chou	Sheet	1 of 1	Date	2010.10.26	Rev.	06
Designer	Robert_Pai	Title					
Approved		Macallan_15_Base Door_Label					
Scale	1:1	Unit.	mm	Drawing No.	Macallan_15_Base Door_Label		



THIS SHEET OF ENGINEERING DRAWING IS THE PROPRIETARY PROPERTY OF COMPAL ELECTRONICS, INC. AND CONTAINS CONFIDENTIAL AND TRADE SECRET INFORMATION. THIS SHEET MAY NOT BE TRANSFERRED FROM THE CUSTODY OF THE COMPETENT DIVISION OF R&D DEPARTMENT EXCEPT AS AUTHORIZED BY COMPAL ELECTRONICS, INC. NEITHER THIS SHEET NOR THE INFORMATION IT CONTAINS MAY BE USED BY OR DISCLOSED TO ANY THIRD PARTY WITHOUT PRIOR WRITTEN CONSENT OF COMPAL ELECTRONICS, INC.