

1 2 3 4 5 6

A

A

B

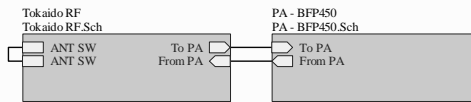
B


C

C

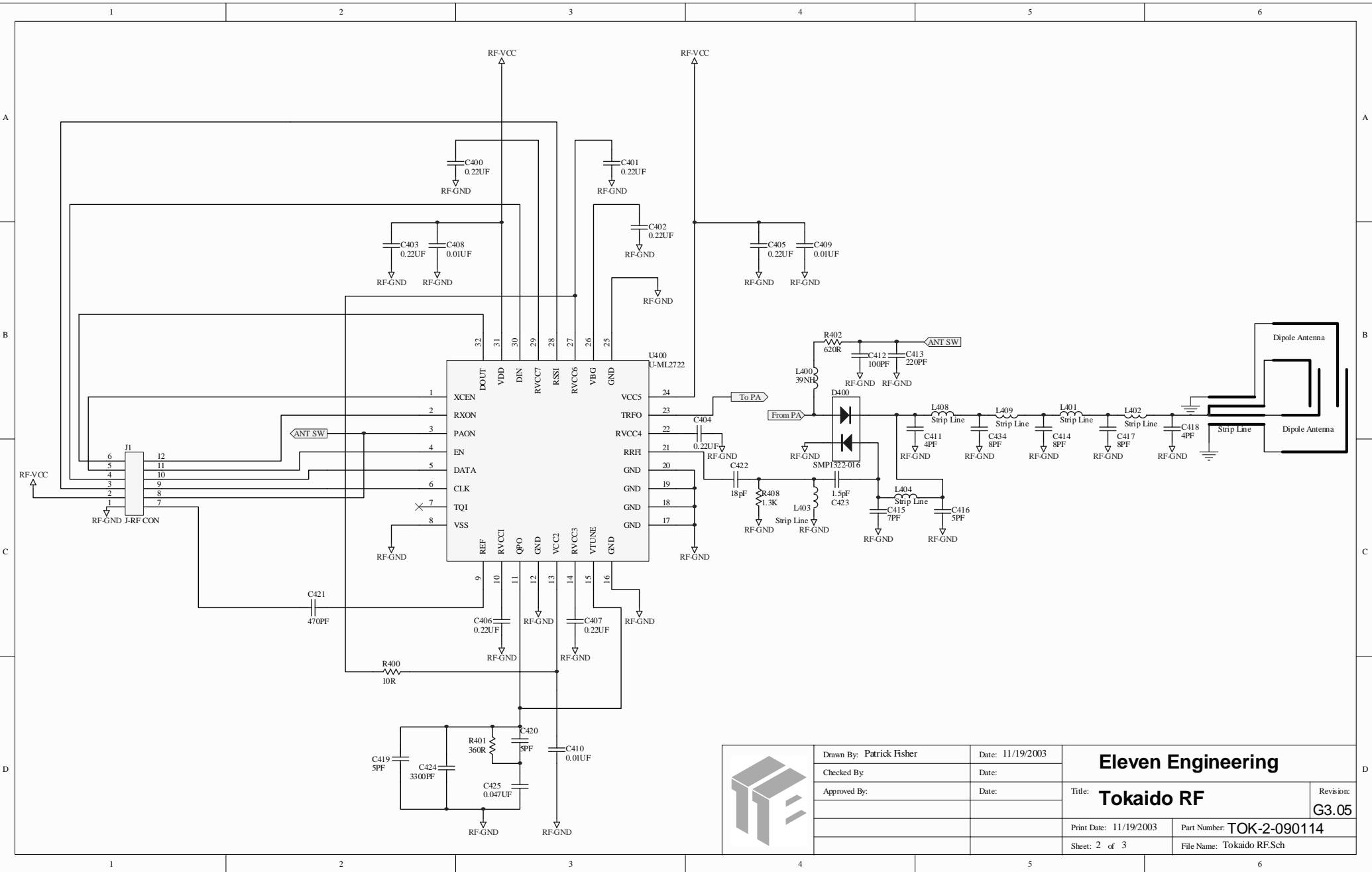
D

D

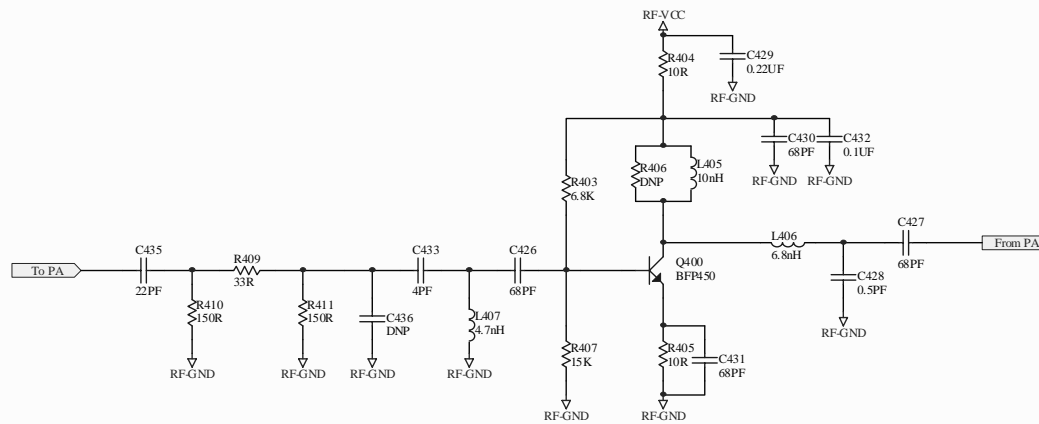


	Drawn By: Patrick Fisher	Date: 11/19/2003	Eleven Engineering	
	Checked By:	Date:		
	Approved By:	Date:	Title: Tokaido RF	Revision: G3.05
			Print Date: 11/19/2003	Part Number: TOK-2-090114
		Sheet: 1 of 3	File Name: RF with PASch	

1 2 3 4 5 6



Drawn By: Patrick Fisher	Date: 11/19/2003	Eleven Engineering	
Checked By:	Date:		
Approved By:	Date:	Title: Tokaido RF	Revision: G3.05
		Print Date: 11/19/2003	Part Number: TOK-2-090114
		Sheet: 2 of 3	File Name: Tokaido RF.Sch



Drawn By: Patrick Fisher	Date: 11/19/2003
Checked By:	Date:
Approved By:	Date:

Eleven Engineering		Revision:
Tokaido RF		G3.05
Print Date: 11/19/2003	Part Number: TOK-2-090114	
Sheet: 3 of 3	File Name: PA - BFP450.Sch	