

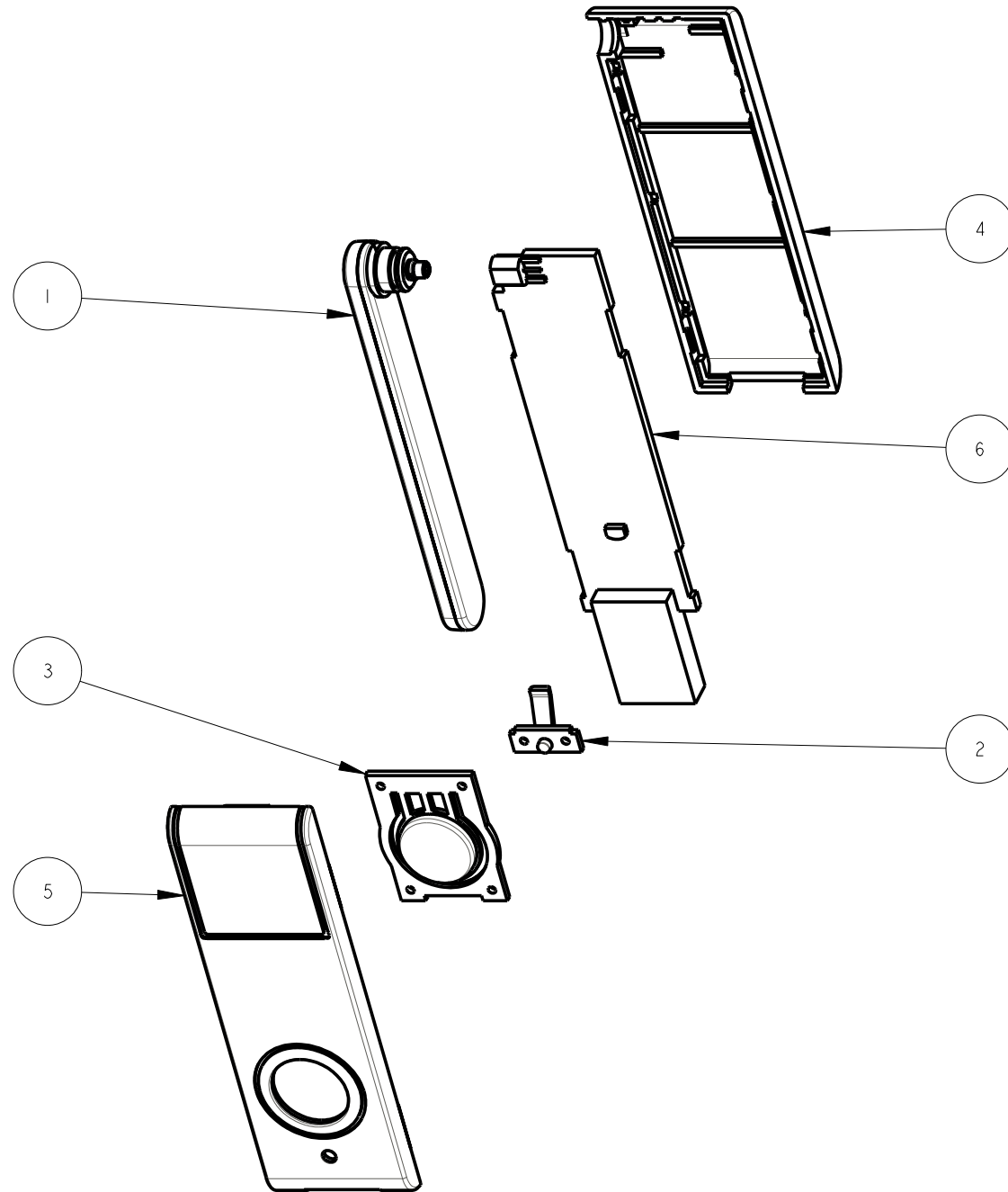


FCC ID: DZLF0414AD

IC: 1807D - F0414AD

Model #: F-0414AD

NOTICE: LOGITECH CONFIDENTIAL INFORMATION
 THIS DOCUMENT IS THE PROPERTY OF LOGITECH
 AND MUST NOT BE COPIED, REPRODUCED OR USED
 AS THE BASIS FOR SALE OR MANUFACTURE OF
 APPARATUS OR DEVICES WITHOUT WRITTEN
 PERMISSION FROM LOGITECH.



*****BOM FOR ME REF. ONLY, SEE AGILE FOR RELEASED BOM*****

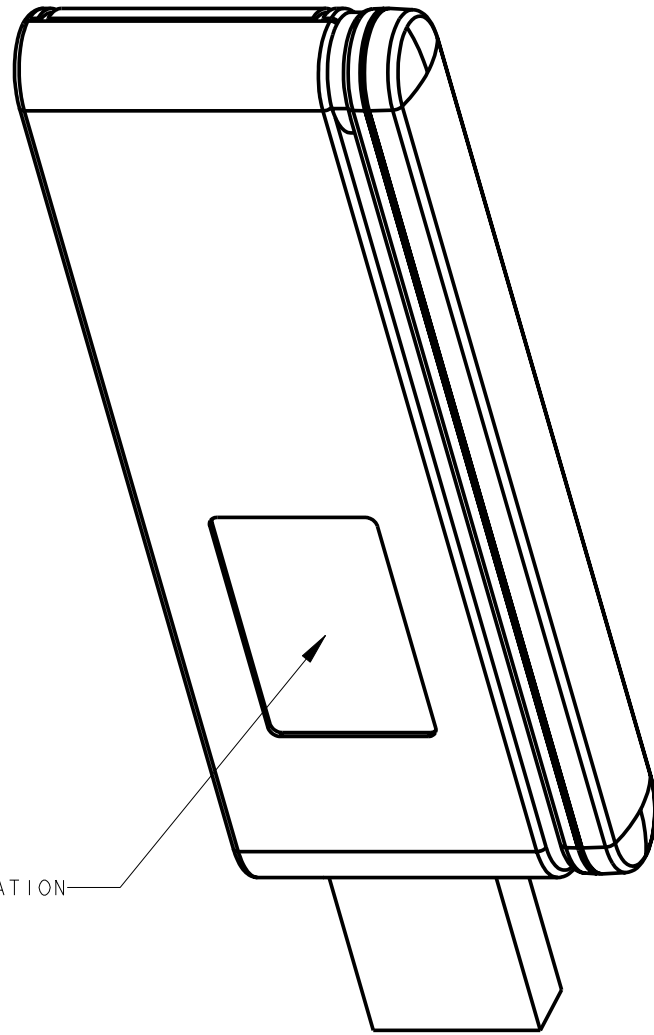
ITEM	PART NO	DESCRIPTION	QTY
6	290106-0000	PCBA, GATORADE DONGLE	1
5	490936-0000	FRONT HOUSING, GATORADE DONGLE	1
4	490937-0000	BACK HOUSING, GATORADE DONGLE	1
3	490938-0000	CONNECT BUTTON, GATORADE DONGLE	1
2	490939-0000	LIGHT PIPE, GATORADE DONGLE	1
1	LOGITECH ANTENNA	ANTENNA, GATORADE	1

ALL UNDIMENSIONED SURFACES SHOULD BE TAKEN DIRECTLY FROM THE PRO/E MODEL.

REV	DESCRIPTION	ECO	BY	DATE
A0	DRAWING RELEASE	E-032015	GAU	2-JUN-05
REVISION				

DRW: G. ULLOA	MAT'L: N/A	TITLE	
DATE: 02-Jun-05	TEXTURE: N/A	DONGLE ASSEMBLY, GATORADE	
TOLERANCES: .X ± 0.5 .XX ± 0.2 .XXX ± 0.1		1499 SE Tech Center Pl. Suite 350 Vancouver, WA, 98683 PH: (360) 896-2000 FAX: (360) 896-2020	DWG SZ
3rd ANGLE PROJECTION		SCALE: 1.000:1	SHEET: 1 OF 2
		DO NOT SCALE DRAWING	REV
		B	010762-0000
			A0

NOTICE: LOGITECH CONFIDENTIAL INFORMATION
 THIS DOCUMENT IS THE PROPERTY OF LOGITECH
 AND MUST NOT BE COPIED, REPRODUCED OR USED
 AS THE BASIS FOR SALE OR MANUFACTURE OF
 APPARATUS OR DEVICES WITHOUT WRITTEN
 PERMISSION FROM LOGITECH.




REGULATORY INFORMATION

ALL UNDIMENSIONED SURFACES SHOULD BE TAKEN DIRECTLY FROM THE PRO/E MODEL.

REV	DESCRIPTION	ECO	BY	DATE
A0	-	-	-	DD-MON-YY
REVISION				

DRW: dac
DATE: 01-Aug-05
TOLERANCES: .X ± 0.5 .XX ± 0.2 .XXX ± 0.1
3rd ANGLE PROJECTION

MAT'L:
TEXTURE:

		1499 SE Tech Center Pl. Suite 350 Vancouver, WA, 98683 PH: (360) 896-2000 Fax: (360) 896-2020	DWG SZ B	SCALE: 2.000:1	SHEET: 2 OF 2
PART NO 010762-0000			REV A0	DO NOT SCALE DRAWING	