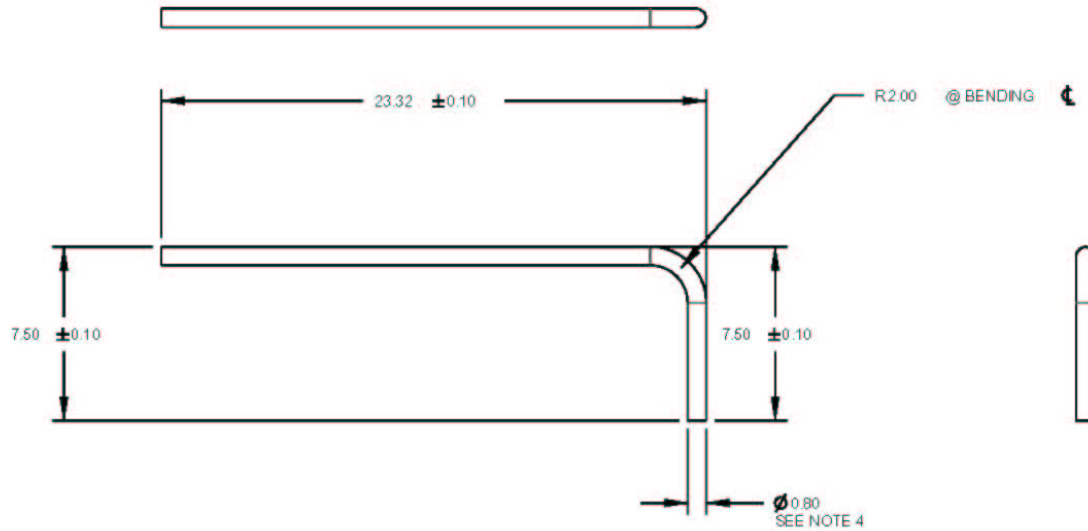




(8) Antenna Info F-00001

- (a) Per FCC 15.203, the antenna is internal and permanently attached. It is not intended to be serviced by the customer and is, therefore only serviceable by Logitech, Inc. authorized personnel.
- (b) The device is an FCC 15.247 device. The main antenna has an EIRP = +5.8dBm.
- (c) The antenna is a quarter-wavelength monopole wire. See next page.
  - Manufacturer: Logitech, Inc.
  - Part Number: 415-000272
  - Gain (dBi): 2.27dBi
  - Description: Monopole (quarter-wavelength)

NOTICE: LOGITECH CONFIDENTIAL INFORMATION  
THIS DOCUMENT IS THE PROPERTY OF LOGITECH  
AND MUST NOT BE COPIED, REPRODUCED OR USED  
AS THE BASIS FOR SALE OR MANUFACTURE OF  
APPARATUS OR DEVICES WITHOUT WRITTEN  
PERMISSION FROM LOGITECH.



NOTES:

1. DO NOT SCALE DRAWING
2. ENDS TO BE TRIMMED WITH WIRE DIE
3. MATERIAL: REDDISH BROWN COPPER
4. COATING: TIN PLATING. FINAL DIMENSIONS OF ANTENNA TO INCLUDE PLATING
5. PART TO BE CLEAN OF DIRT, OIL, BURRS, SHARP EDGES, ETC.

\*\*\*BOM FOR ME REF. ONLY, SEE AGILE FOR RELEASED BOM\*\*\*

| ITEM | PART NO | DESCRIPTION | QTY |
|------|---------|-------------|-----|
|------|---------|-------------|-----|

\*\*\*ALL UNDIMENSIONED SURFACES SHOULD BE TAKEN DIRECTLY FROM THE PROJ MODEL\*\*\*

| REV      | DESCRIPTION       | ECO | BY  | DATE      |
|----------|-------------------|-----|-----|-----------|
| ---      | PROTOTYPE RELEASE | --- | DCA | 07 FEB 06 |
| REVISION |                   |     |     |           |

|   |              |   |                                   |
|---|--------------|---|-----------------------------------|
| DRW: DAC  | MAT'L: N/A   | TITLE   |                                   |
| DATE: 07-Feb-06                                   | TEXTURE: N/A | Antenna, Two Face   |                                   |
| TOLERANCES:<br>X ± 0.5<br>.XX ± 0.2<br>.XXX ± 0.1 |              | DWG SZ  | SCALE: 4,000:1 SHEET: 1 OF 1      |
| 3rd ANGLE PROJECTION                              |              | <br>1499 SE Tech Center Pl<br>Suite 350<br>Vancouver, WA 98683<br>PH: (360) 896-2000<br>Fax: (360) 896-2020 | <b>A</b><br>PART NO<br>415-000272 |
|   |              |   |                                   |
| DO NOT SCALE DRAWING                              |              |   |                                   |