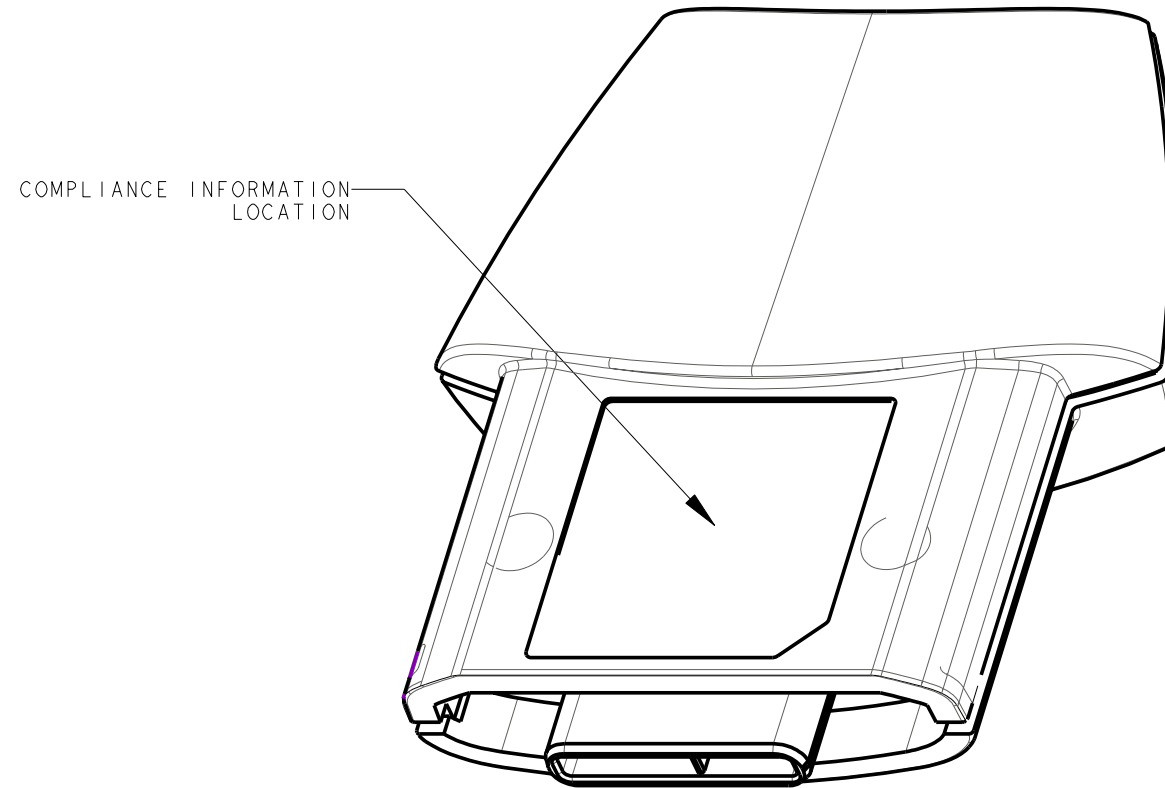

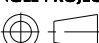


NOTICE: LOGITECH CONFIDENTIAL INFORMATION  
 THIS DOCUMENT IS THE PROPERTY OF LOGITECH  
 AND MUST NOT BE COPIED, REPRODUCED OR USED  
 AS THE BASIS FOR SALE OR MANUFACTURE OF  
 APPARATUS OR DEVICES WITHOUT WRITTEN  
 PERMISSION FROM LOGITECH.

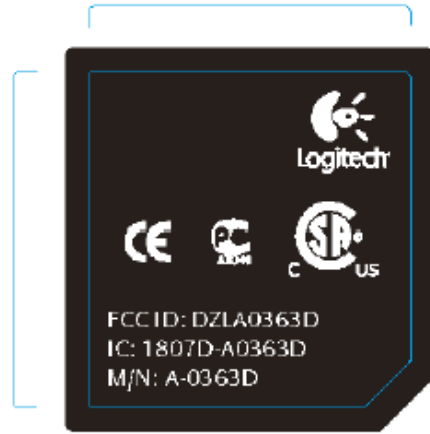


COMPLIANCE INFORMATION  
 LOCATION

***ALL UNDIMENSIONED SURFACES SHOULD BE TAKEN DIRECTLY FROM THE PRO/E MODEL.***					
DRW: G. ULLOA	MAT'L: N/A	TITLE			
DATE: 21-Oct-04	TEXTURE: N/A	Desmond XBOX Dongle			
TOLERANCES: .X ± 0.5 .XX ± 0.2 .XXX ± 0.1	 1499 SE Tech Center Pl. Suite 350 Vancouver, WA, 98683 PH: (360) 896-2000 FAX: (360) 896-2020	DWG SZ	SCALE: 2.000:1	SHEET: 1 OF 1	
3rd ANGLE PROJECTION 		<b>B</b>	PART NO	REV	
DO NOT SCALE DRAWING		010652-0000	A0		

20.50mm

21.4mm



3.00mm