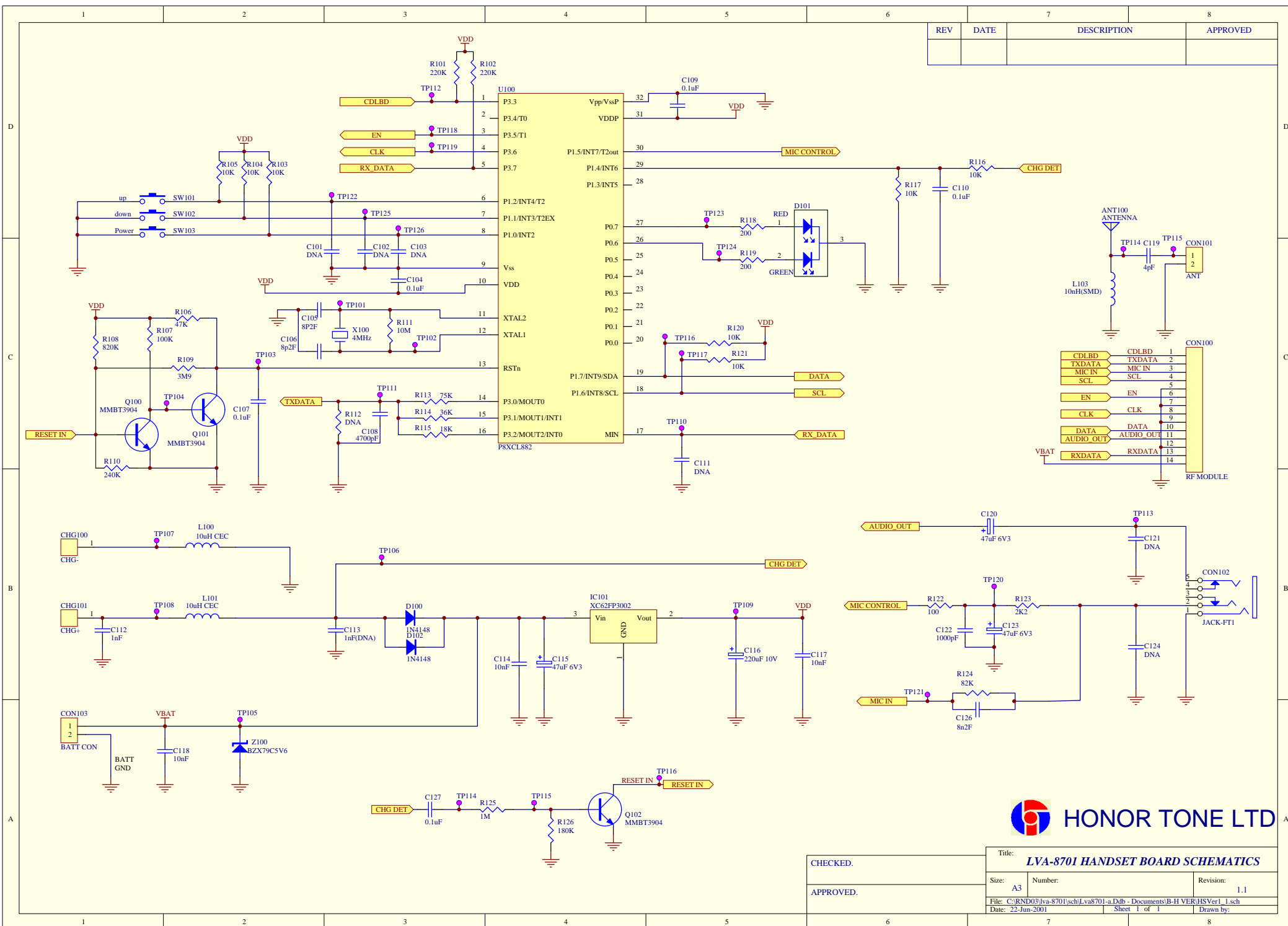


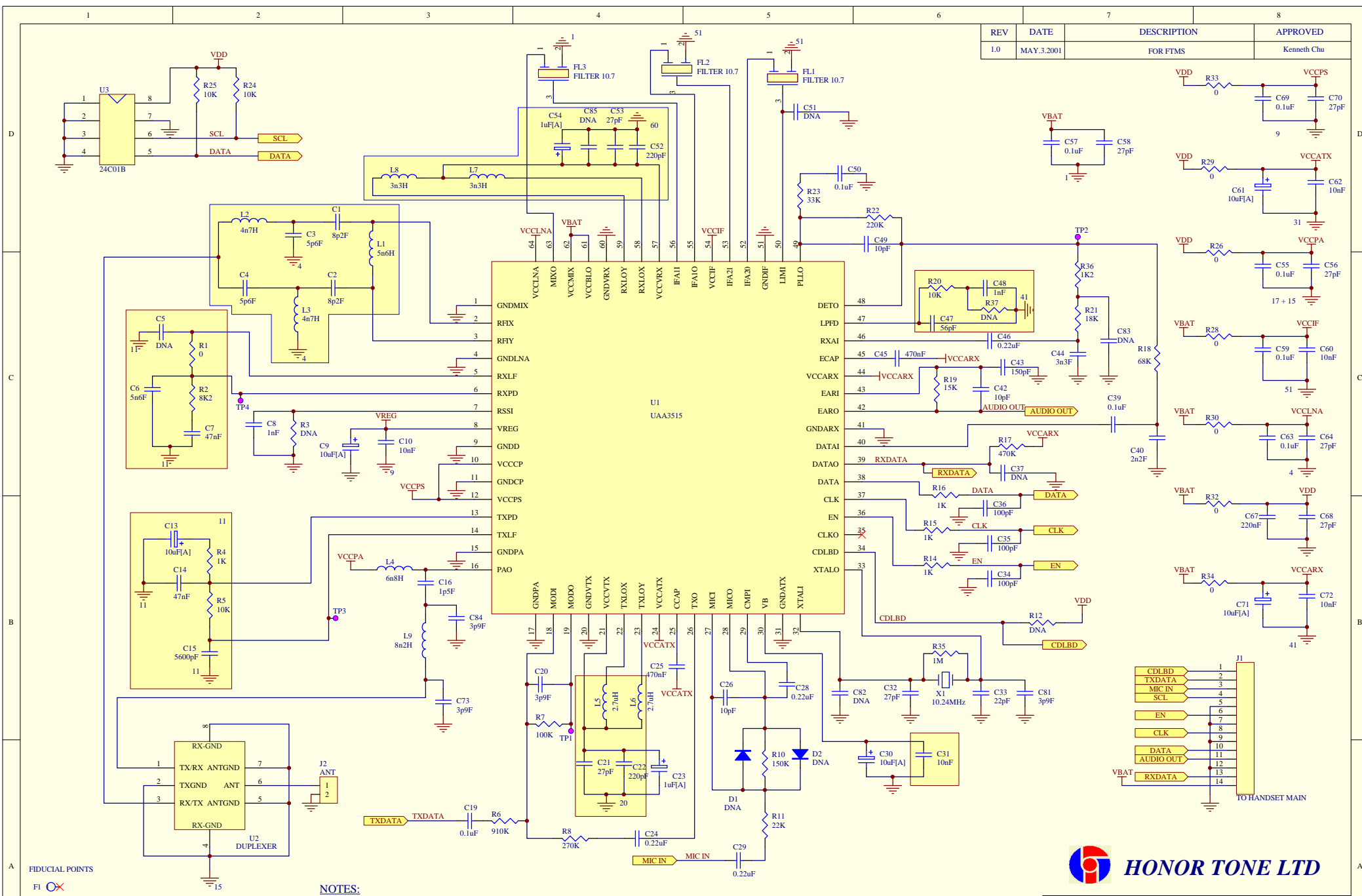
REV	DATE	DESCRIPTION	APPROVED



Title: LVA-8701 HANDSET BOARD SCHEMATICS		
Size: A3	Number:	Revision: 1.1
File: C:\RND03\lva-8701\sch\Lva8701-a.Ddb - Documents\B-H\VER\HS\Ver1_1.sch		
Date: 22-Jun-2001	Sheet 1 of 1	Drawn by:

CHECKED.
APPROVED.

REV	DATE	DESCRIPTION	APPROVED
1.0	MAY.3.2001	FOR FTMS	Kenneth Chu



- FIDUCIAL POINTS
- F1
 - F2
 - F3
 - F4

NOTES:

- ALL CAPACITORS & RESISTORS USED ARE SMD 0603 UNLESS OTHERWISE SPECIFIED.
- ALL INDUCTORS AND DIODES USED ARE SMD 0603 UNLESS OTHERWISE SPECIFIED.



CHECK.		Title: LVA8701 HANDSET RF BOARD SCHEMATIC	
W.Q.Li		Size: A3	Number:
APPROVED.		Revision: 1.0	
Kenneth Chu		File: C:\RND03\lva-8701\sch\Lva8701-a.Ddb - Documents\RF_VER\HSRFVer1.0.sch	
		Date: 22-Jun-2001	Sheet 1 of 1
		Drawn by:	

