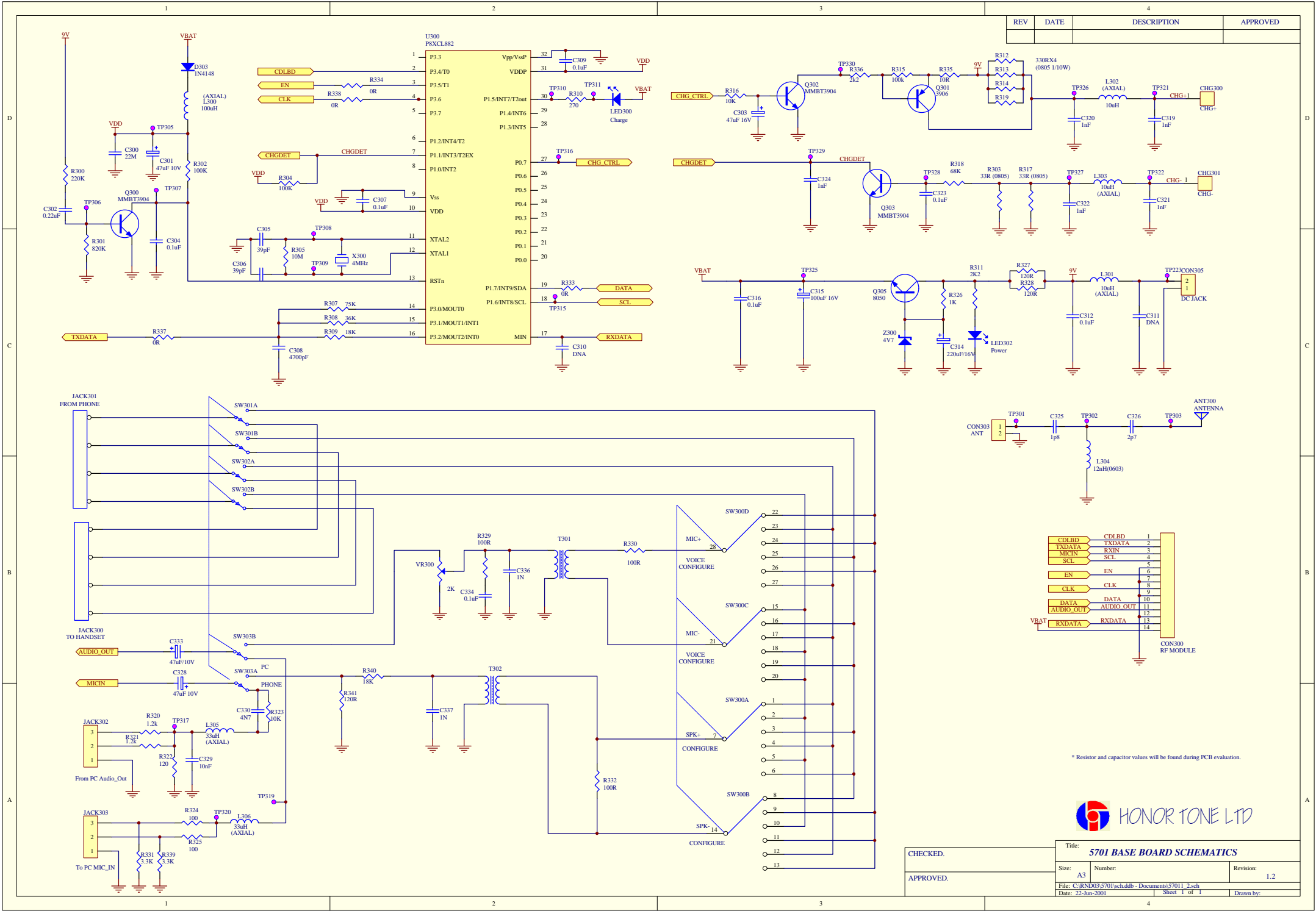


REV	DATE	DESCRIPTION	APPROVED



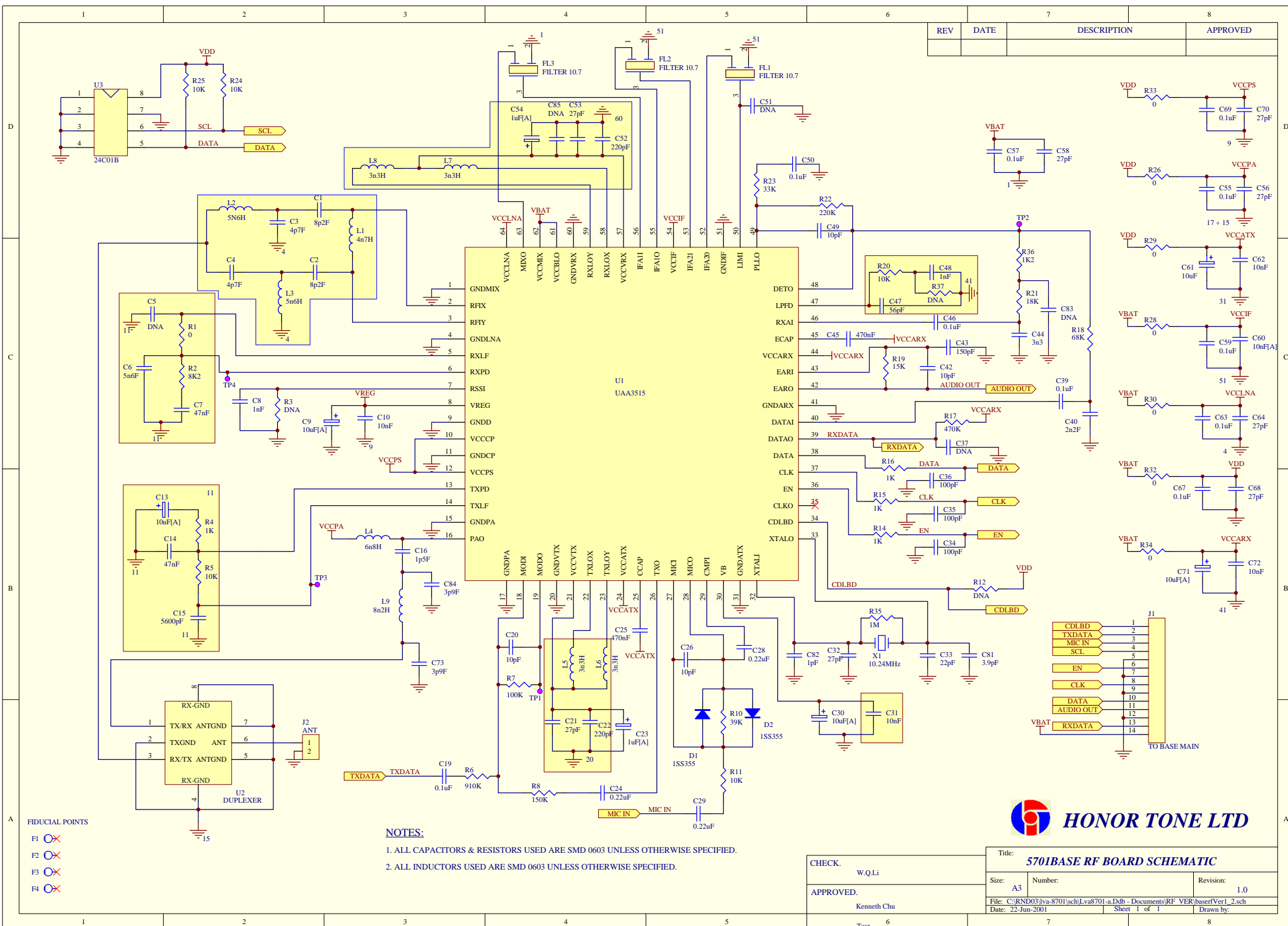
Signal	Pin	Module Pin
CDLBD	1	1
TXDATA	2	2
RXIN	3	3
SCL	4	4
EN	5	5
CLK	6	6
DATA	7	7
AUDIO_OUT	8	8
AUDIO_OUT	9	9
DATA	10	10
AUDIO_OUT	11	11
RXDATA	12	12
RXDATA	13	13
RXDATA	14	14

* Resistor and capacitor values will be found during PCB evaluation.



CHECKED.	Title: 5701 BASE BOARD SCHEMATICS	
	Size: A3	Number: Revision: 1.2
APPROVED.	File: C:\RND03\5701\sch.dtb - Documents\5701_2.sch	
	Date: 22-Jun-2001	Sheet 1 of 1 Drawn by:

REV	DATE	DESCRIPTION	APPROVED
-----	------	-------------	----------



- FIDUCIAL POINTS
- F1
 - F2
 - F3
 - F4

NOTES:

- ALL CAPACITORS & RESISTORS USED ARE SMD 0603 UNLESS OTHERWISE SPECIFIED.
- ALL INDUCTORS USED ARE SMD 0603 UNLESS OTHERWISE SPECIFIED.



CHECK.		Title: 5701BASE RF BOARD SCHEMATIC	
W.Q.Li		Size: A3	Number:
APPROVED.		Revision: 1.0	
Kenneth Chu		File: C:\RND03\lva-8701\sch\lva8701-a.Ddb - Documents\RF_VER\lva8701_Ver1.2.sch	
Text		Date: 22-Jun-2001	Sheet 1 of 1