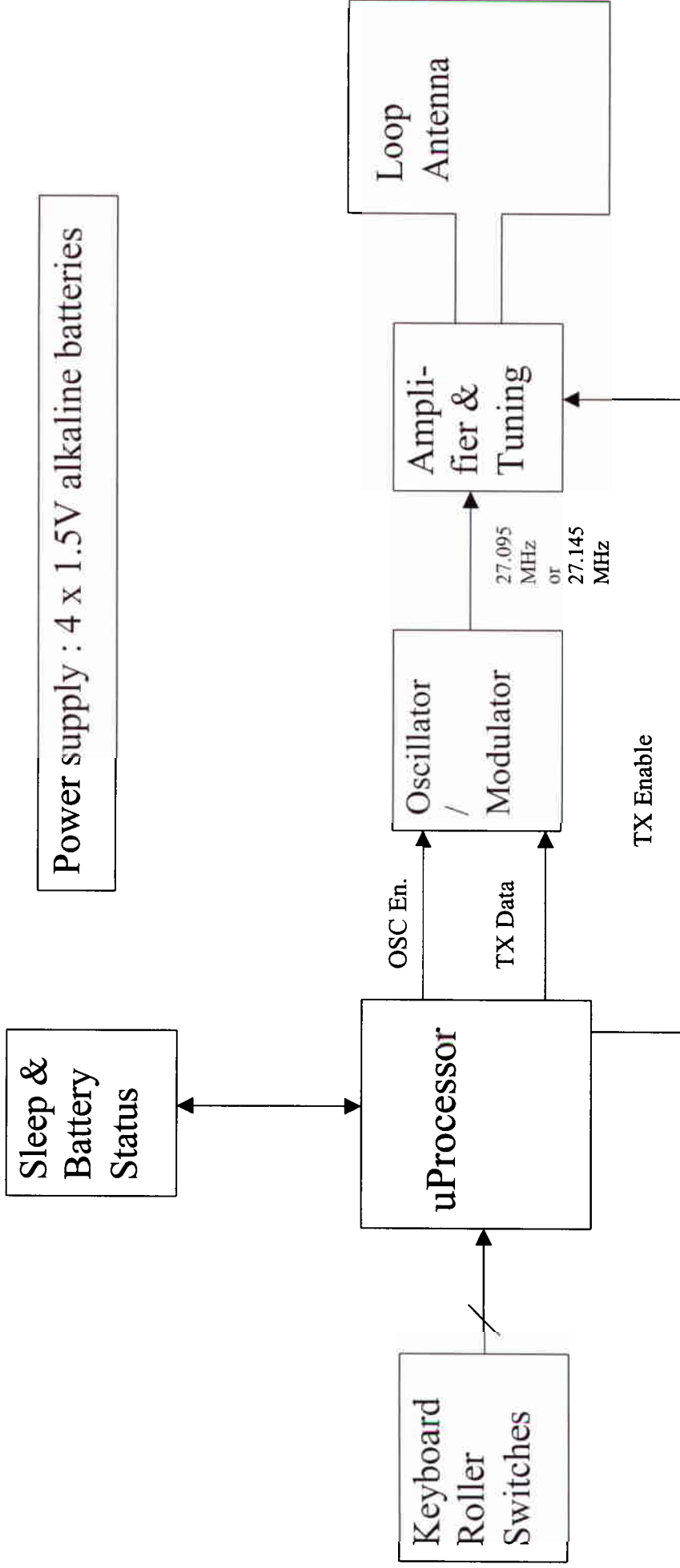




ELECTRO MAGNETIC TEST, INC.
1547 Plymouth Street, Mountain View, CA 94043 Tel: (650) 965-4000 Fax: (650) 965-3000

BLOCK DIAGRAMS

Y-RE20 / Y-RF21 Block Diagram

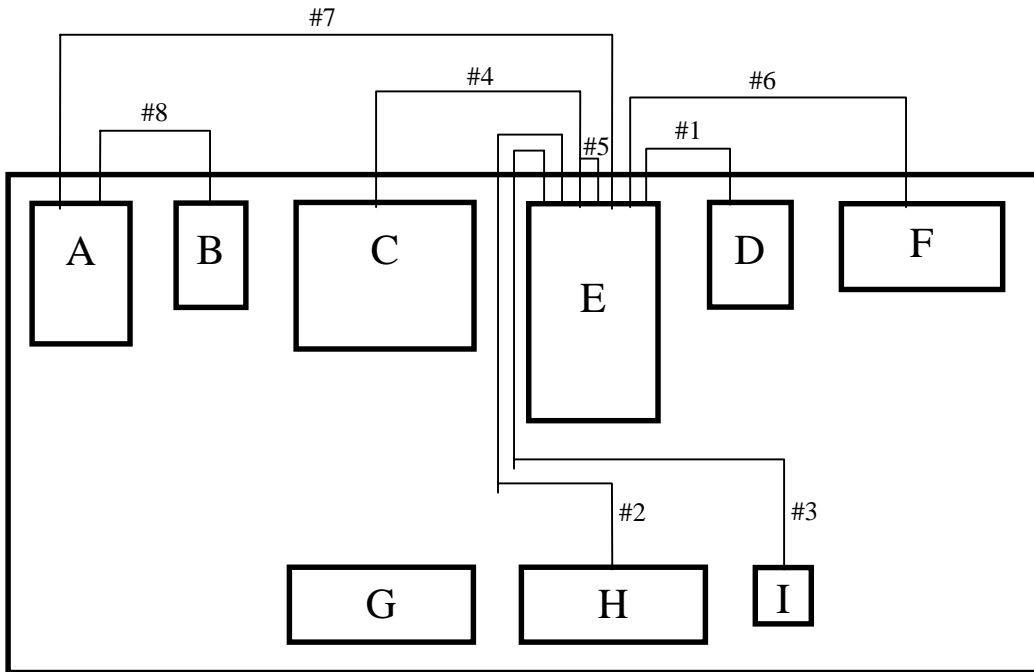




ELECTRO MAGNETIC TEST, INC.

1547 Plymouth Street, Mountain View, CA 94043 Tel: (650) 965-4000 Fax: (650) 965-3000

EQUIPMENT CONFIGURATION BLOCK DIAGRAM



Wooden Test Table ↗

A. Printer	F. External Modem
B. Printer AC Power Adapter	G. EUT
C. Monitor	H. Keyboard
D. Computer	I. Mouse
E. Receiver	