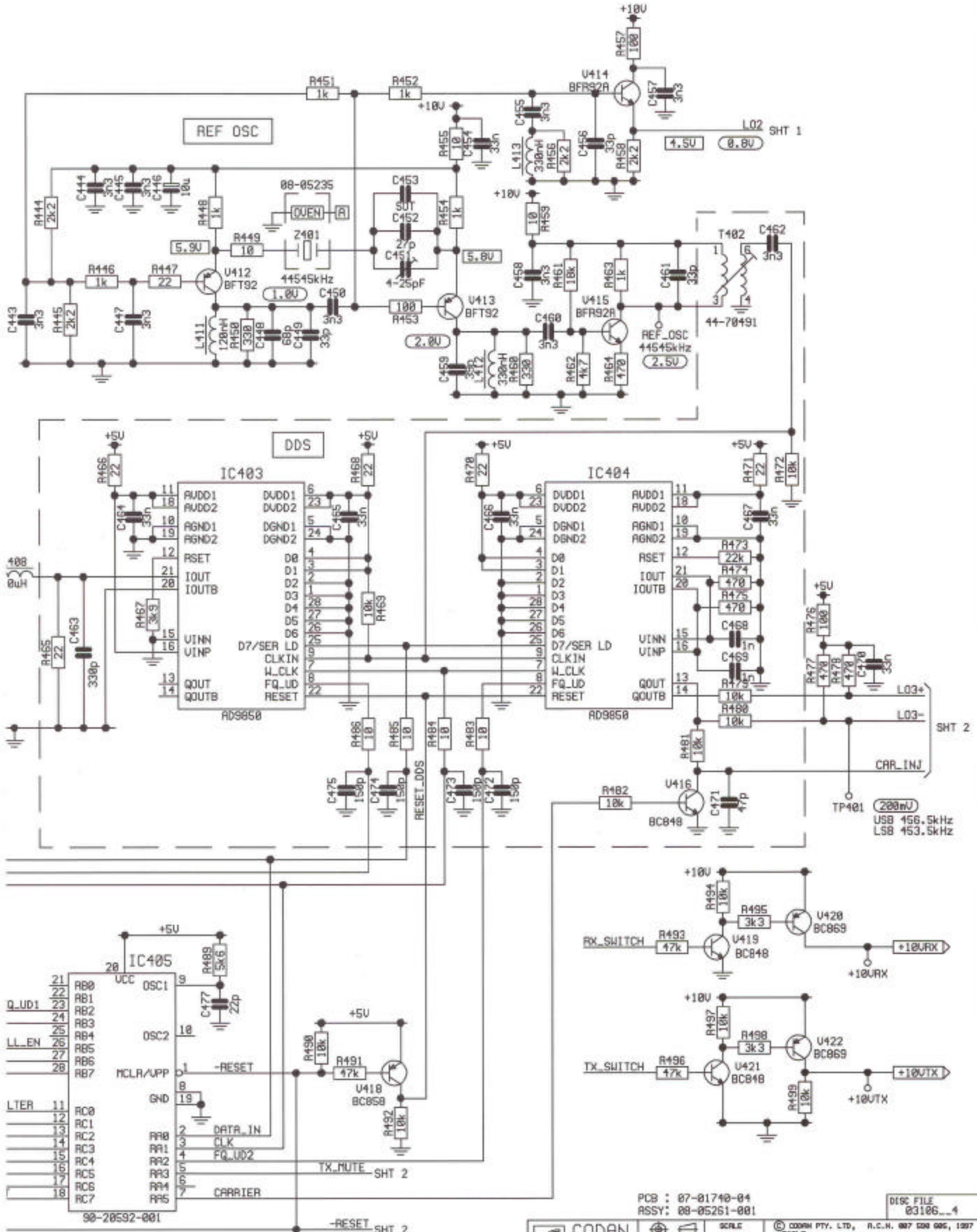


ISSUE B	ISSUE C	ISSUE D	ISSUE E	ISSUE F	ISSUE G	ISSUE H
ISSUE B PARTS LIST PCB LRS 228A, C/R 2568A REV. 2-1-95	ISSUE C REFER SHEET 2 C/R 25816 C/R 25818 NET REC'DUMP, LRS 1C486/E, R/C FRST/SLOM ADDED. C/R 25826 C/R 25828 REFER SHEET 2 PCB LRS 155-42 C/R 25866 REV. 5-2-95	ISSUE D VOLTAGES ADDED, L411 LRS 228A, R458 LRS 228, C448 LRS 230, C/R 26163 REV. 1-7-95	ISSUE E TITLE LRS REV/IF C/R 26227 REV. 2-9-95	ISSUE F PCB LRS 155-40 C/R 26238 REV. 1-12-95	ISSUE G REFER SHEETS 1&2 C/R 26588	



PCB : 07-01740-04
 ASSY: 00-05261-001

DISC FILE
 03106_4

CODAN		SCALE	© CODAN PVT. LTD., N.C.H. 007 000 000, 1997	
MATERIAL		DRAWN	TITLE	
FINISH		CHKD	RF/IF	
		APPD	(SYNTHESIZER & CONTROL)	
		TOLERANCES		A1
		UNLESS OTHERWISE STATED		
		2 PLACES DEC. *		04-03106
		1 PLACE DEC. *		
		ANGULAR ±		ISS
				1 2 3 4
				SHT 3
				OF 3