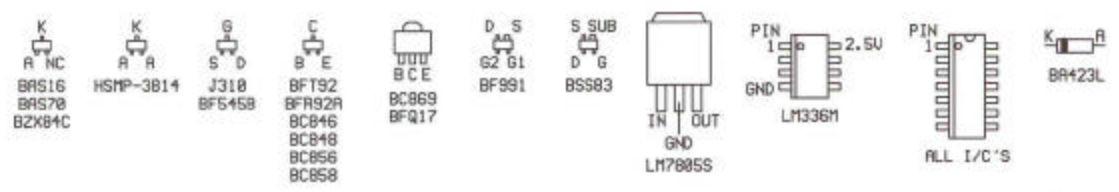
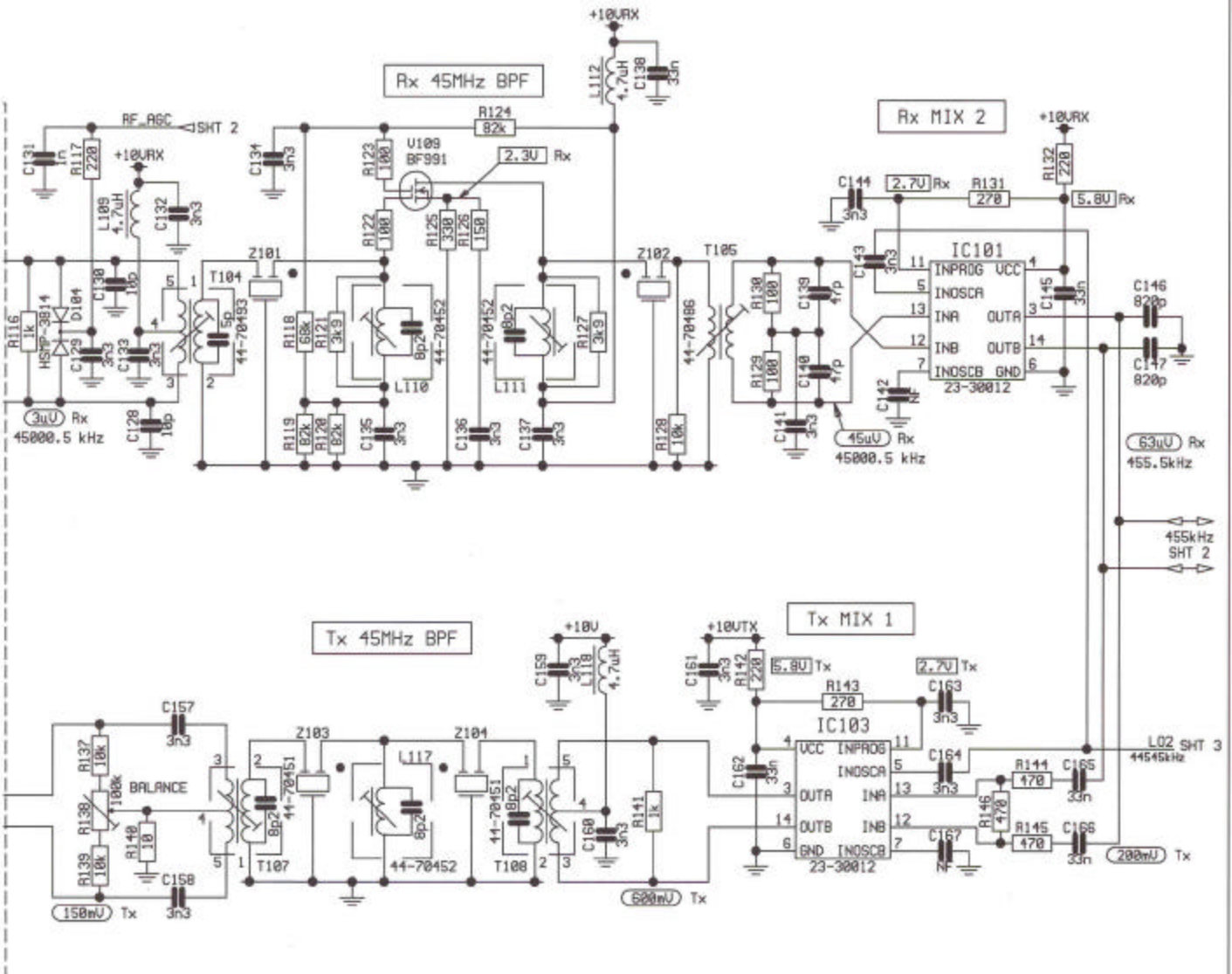


ALL DEVICES ARE TOP VIEW



ISSUE CHANGE	ISSUE B	ISSUE C	ISSUE D	ISSUE E	ISSUE F	ISSUE G	ISSUE H
PCB LMS 155 -01 REFER SHT 3 C/R 25884 S/N 21-1-99	REF/EXCITER 2 TITLE LMS REFER SHTS 2&3 PCB LMS 155 -02 C/R 25828 S/N 1-9-98	ISSUES REDESIGNED. STANDARDS REDESIGNED. C/R 26161 N/A 1-7-99	ISSUE 2: TITLE LMS Rv/JF N/A 2-8-99	ISSUE 3: PCB LMS 155 -03 C/R 26330 N/A 14-12-98	ISSUE 4: C124 LMS N/F REFER SHT 2 C/R 26306 N/A 27-3-98		



PCB : 87-81740-04
 ASSY: 88-85261-001

DISC FILE
 03106...4

	SCALE		© CODAN PTY. LTD., A.C.N. 007 500 885, 1987					
	DRAWN	C 8	DATE	TITLE				
MATERIAL	CHKD	RAW	25-10-88	RF/IF (RF MIXER)				
FINISH	APPD	NJR	8-7-93	DRAWING/DOC. NO				
	TOLERANCES UNLESS OTHERWISE STATED			A1	04-03106			
UNLESS OTHERWISE STATED			ISS	1	2	3	4	SHT 1 OF 3
2 PLACES DEC. *								
1 PLACE DEC. *								
ANGULAR ±								