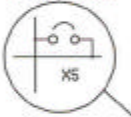


NOTE: ONLY FIT ONE LINK

PCB HARDWARE LINKS 8 POSITIONS



KEYPAD SWITCH 21 POSITIONS



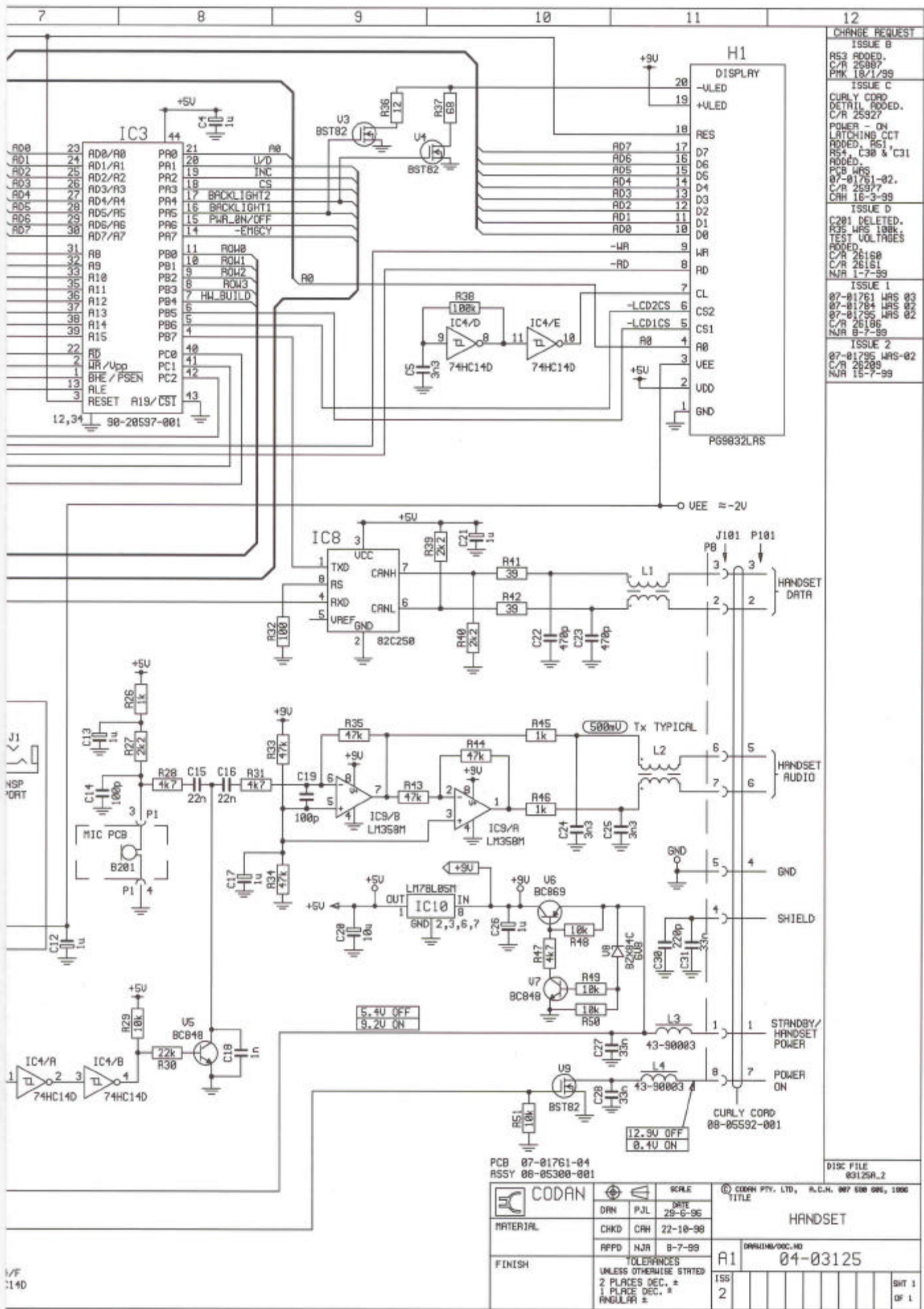
PTT KEYPAD PCB 07-01795-03 ASSEMBLY 00-05523-001

KEYPAD PCB 07-01784-03 ASSEMBLY 00-05522-001

HIC PCB 07-01796-03 ASSEMBLY 00-05524-001

74HC14D

74HC14



7
8
9
10
11
12

CHANGE REQUEST
ISSUE B
R53 ADDED.
C/R 25887
PMK 18/1/99
ISSUE C
CURLY CORD
DETAIL ADDED.
C/R 25927
POWER - ON
LATCHING CCT
ADDED. R51
R54, C30 & C31
ADDED.
PCB WRS
07-01761-02.
C/R 25977
CAH 16-3-99
ISSUE D
C201 DELETED.
R35 WAS 100k
TEST VOLTAGES
ADDED.
C/R 26160
C/R 26161
NJR 1-7-99
ISSUE 1
07-01761 WAS 03
07-01764 WAS 02
07-01795 WAS 02
C/R 26186
NJR 8-7-99
ISSUE 2
07-01795 WAS-02
C/R 26209
NJR 15-7-99

PCB 07-01761-04
 ASSY 08-05300-001

CODAN		SCALE	© CODAN PTY. LTD., A.C.N. 097 630 086, 1986	
DRAWN	P.J.L.	DATE	TITLE	
CHKD	CAH	22-10-98	HANDSET	
RFPD	NJR	8-7-99	DRAWING NO	
FINISH	TOLERANCES UNLESS OTHERWISE STATED		A1 04-03125	
		2 PLACES DEC. ±	ISS	
		1 PLACE DEC. *	2	
		ANGULAR ±	SHT 1 OF 1	

DISC FILE 03125A_2

V/F :140