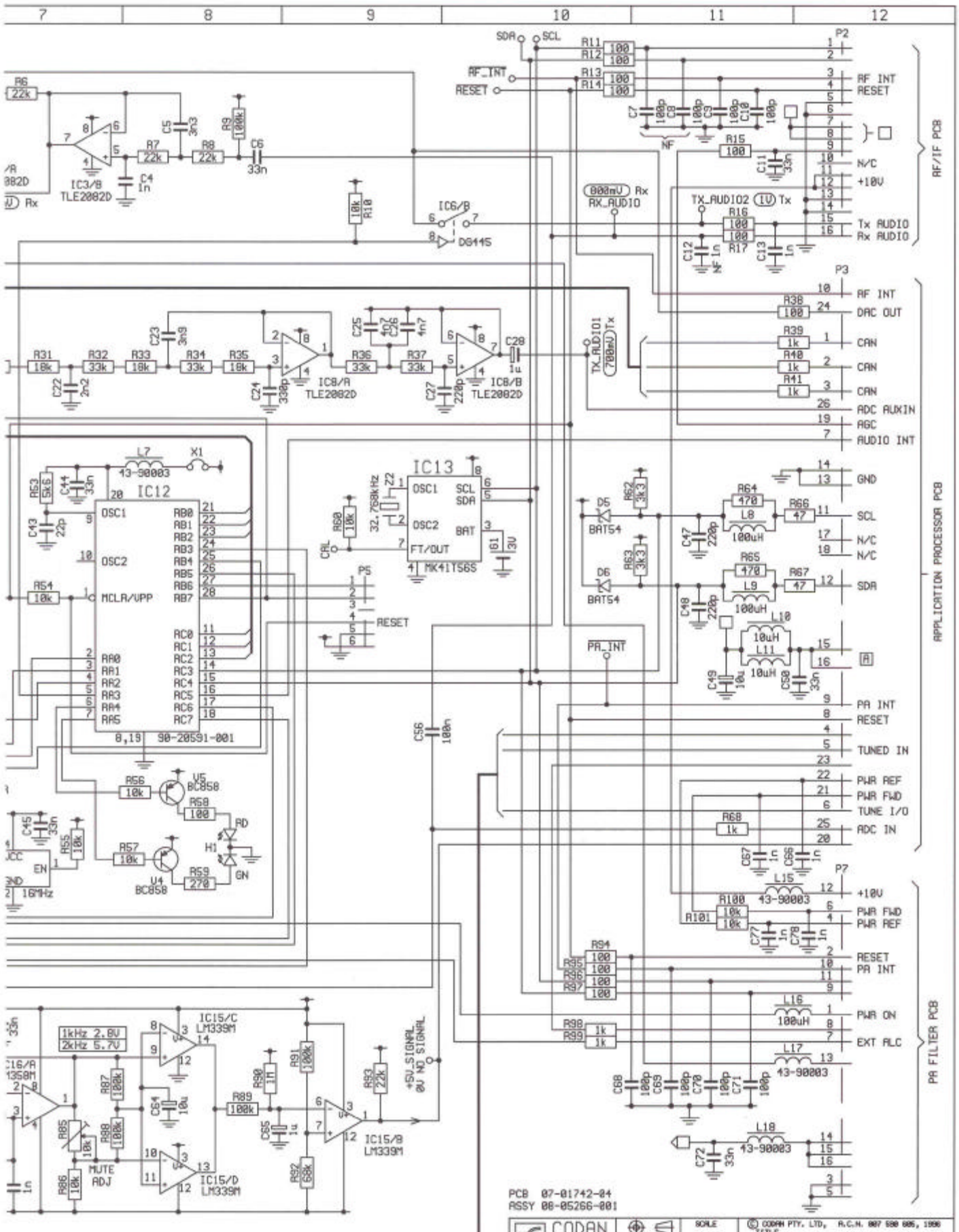


CHANGE REQUEST
ISSUE B
IC1 & IC5 HERE
DE212
R38 WAS 1k
C/A/R 26769
CRH 9/11/98
ISSUE C
C75, C76 DG-
D10 & R102-R104
ADDED
K1 WRS 1028 OHM
R24 WRS 4k7
R55 & R57 WERE
2k2
C10 & RHT CABLE
ADDED
NET VALUES CHANGED



- NJR 2-3-99
- ISSUE D
- C77 & C78 ADDED
- C66 & C67 WERE
- 33n
- LS MRS 43-90003
- & MOVED ACROSS
- SUPPLY
- C/R 13/2/99
- ISSUE E
- C13 MRS 33n
- C/R 26/25
- NJR 4-6-99
- ISSUE F
- TEST VOLTAGES
- ADDED.
- C/R 26/1
- NJR 1-7-99
- ISSUE G
- R103 & R104
- DELETED.
- C/R 26/185
- NJR 8-7-99
- ISSUE 2
- UNDERSORES,
- DASHES & (..)
- REMOVED FROM
- MARKS ON RHS,
- C/R 26/27
- NJR 2-8-99
- ISSUE 3
- C16 MRS 200F,
- C/R 26/323
- NJR 17-12-99

PCB 07-01742-04  
 RSSY 00-05266-001

		SCALE DRN ILT DATE 0-0-98		© CODAN PTY. LTD., A.C.N. 007 500 000, 1990 TITLE <b>AUDIO INTERFACE</b>	
MATERIAL C/KD CRH 15-10-98 APPD NJR 8-7-99		TOLERANCES UNLESS OTHERWISE STATED 2 PLACES DEC. ± 1 PLACE DEC. ± ANGULAR ±		DRAWING/DOC. NO <b>A1 04-03109</b>	
FINISH		ISS X Z 3		SHEET 1 OF 1	