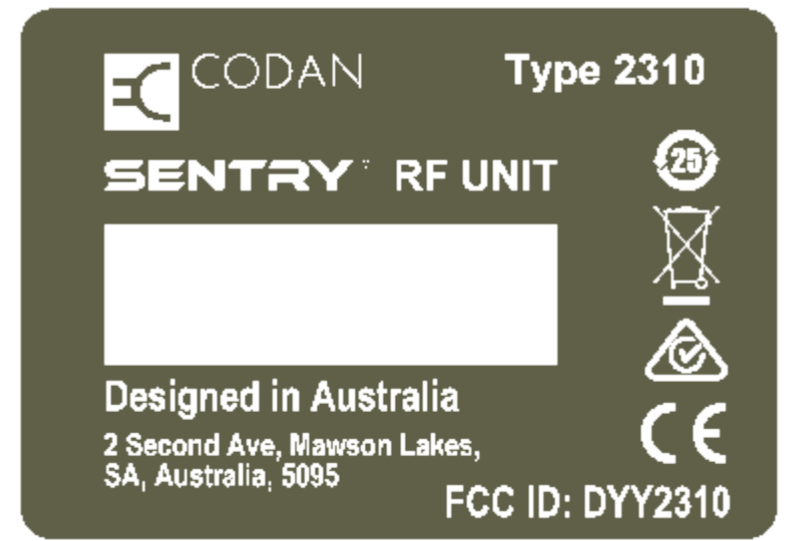
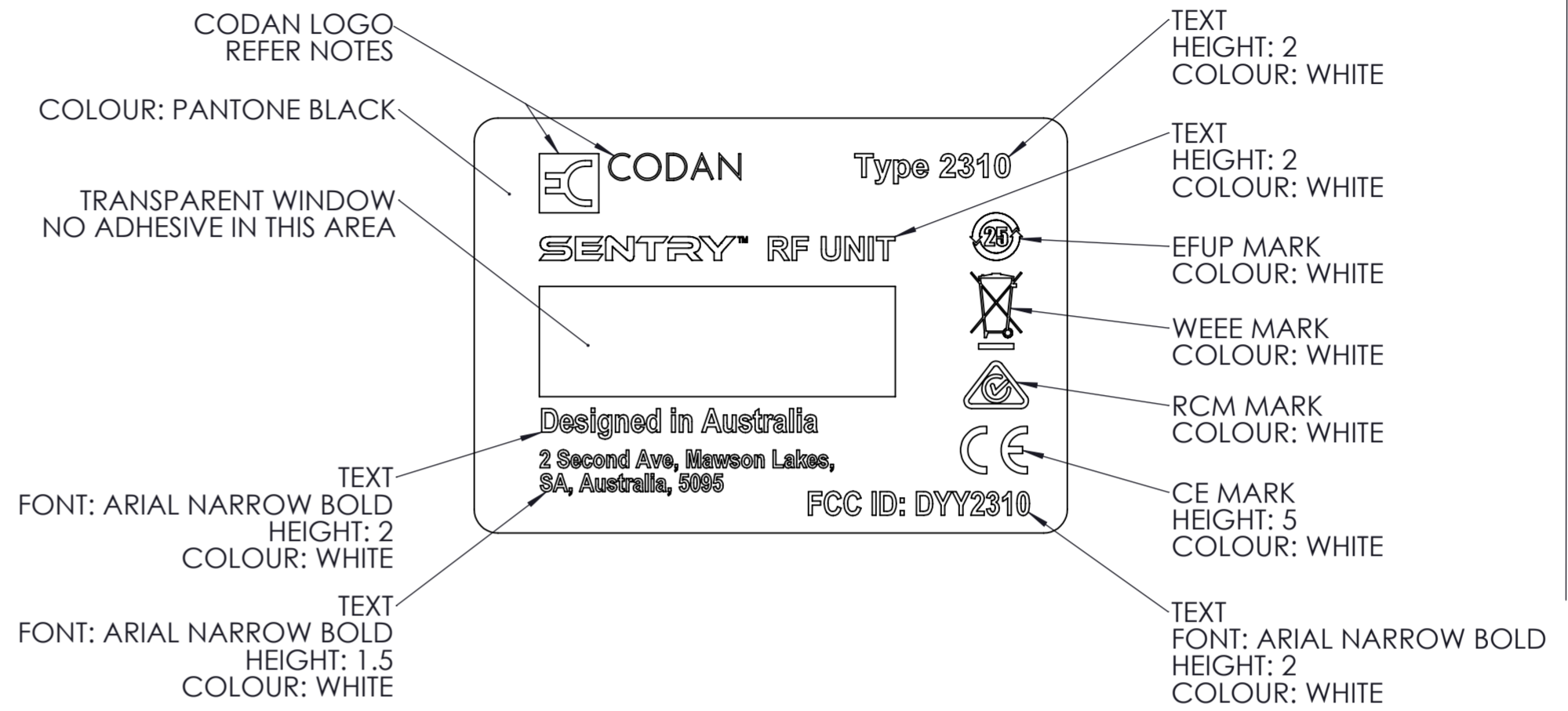
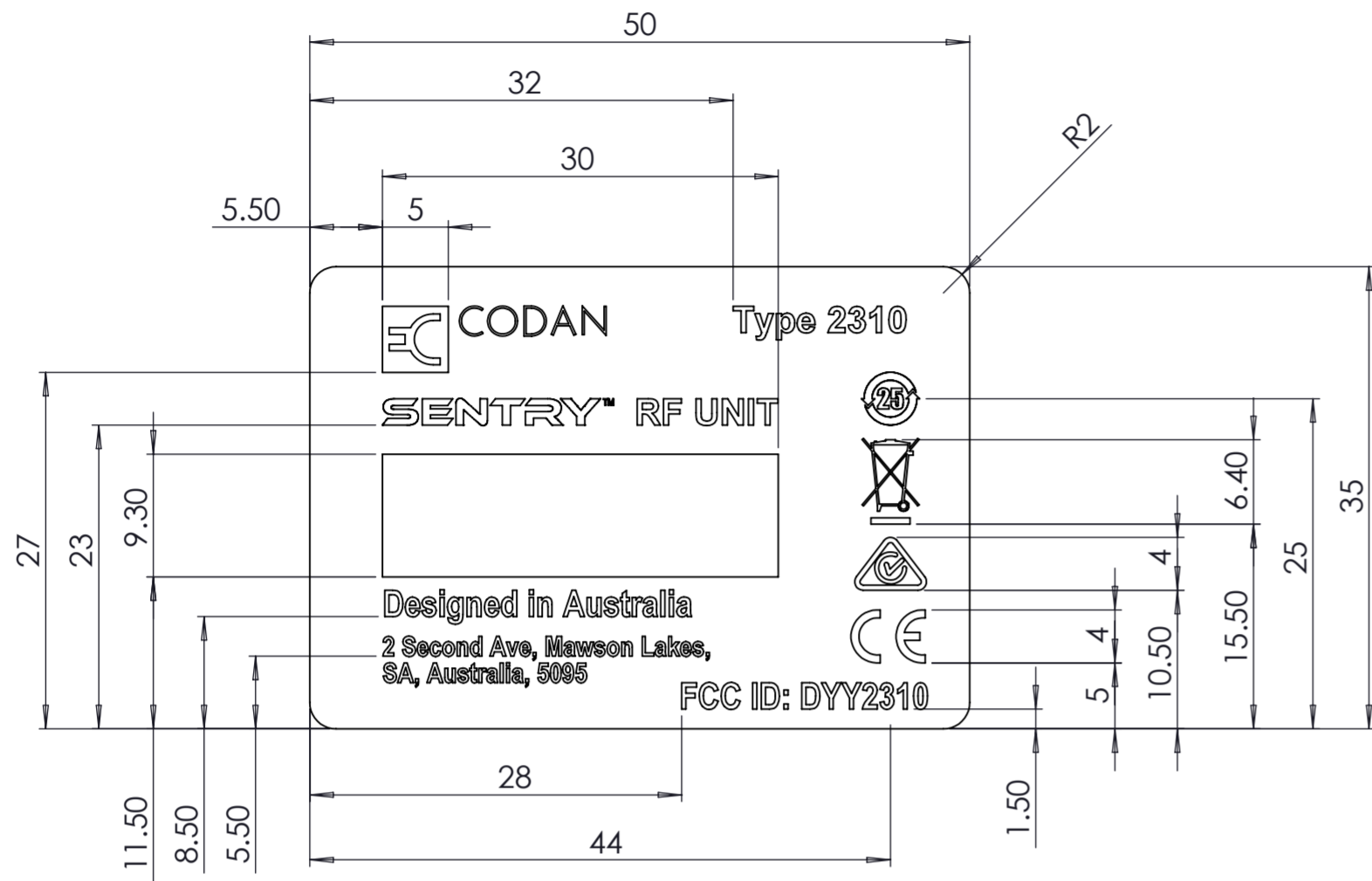


DO NOT SCALE



SHADED VIEW

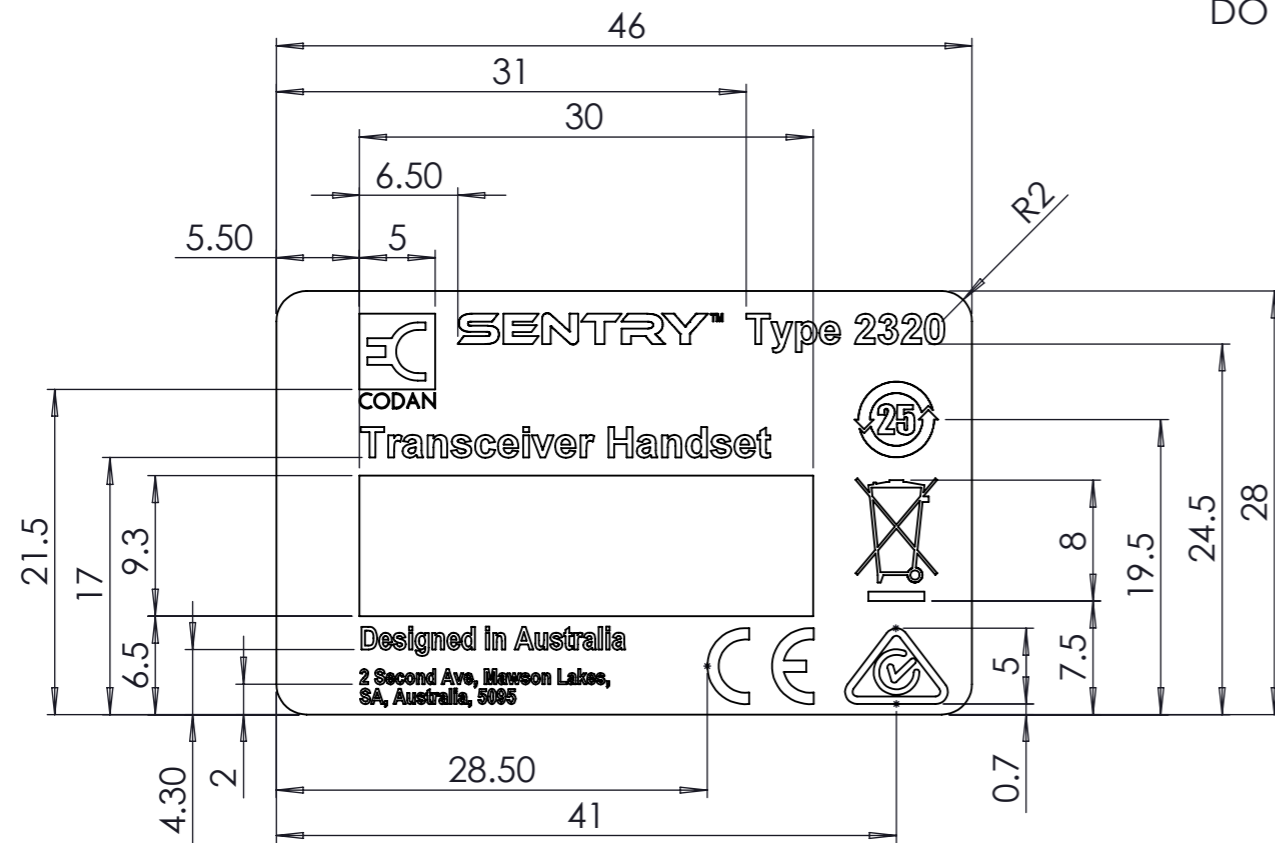
NOTES:

- MATERIAL: POLYESTER FILM, ADHEASIVE BACKED
TEXTURE: MacDERMID AUTOTEX FINE
THICKNESS: 0.15mm (F150)
COLOUR: AS SPECIFIED
ADHESIVE: 3M 7952
- CODAN LOGO DETAILS
CODAN SPEC: 12-01852
CODAN LOGO COLOUR: WHITE
CODAN LOGO 'C' COLOUR: PANTONE BLACK
CODAN LOGO TEXT COLOUR: WHITE
- TEXT:
FONT: ARIAL BOLD, UNLESS OTHERWISE SPECIFIED
HEIGHT: AS SPECIFIED
COLOUR: AS SPECIFIED
- COLOURS SHOWN ARE NOT THE RESULTANT COLOURS, USE SPECIFIED COLOURS
- GEOMETRY DETAIL, IF NOT FULLY DESCRIBED IN THIS DOCUMENTATION:
REFER SOLID MODEL FILE

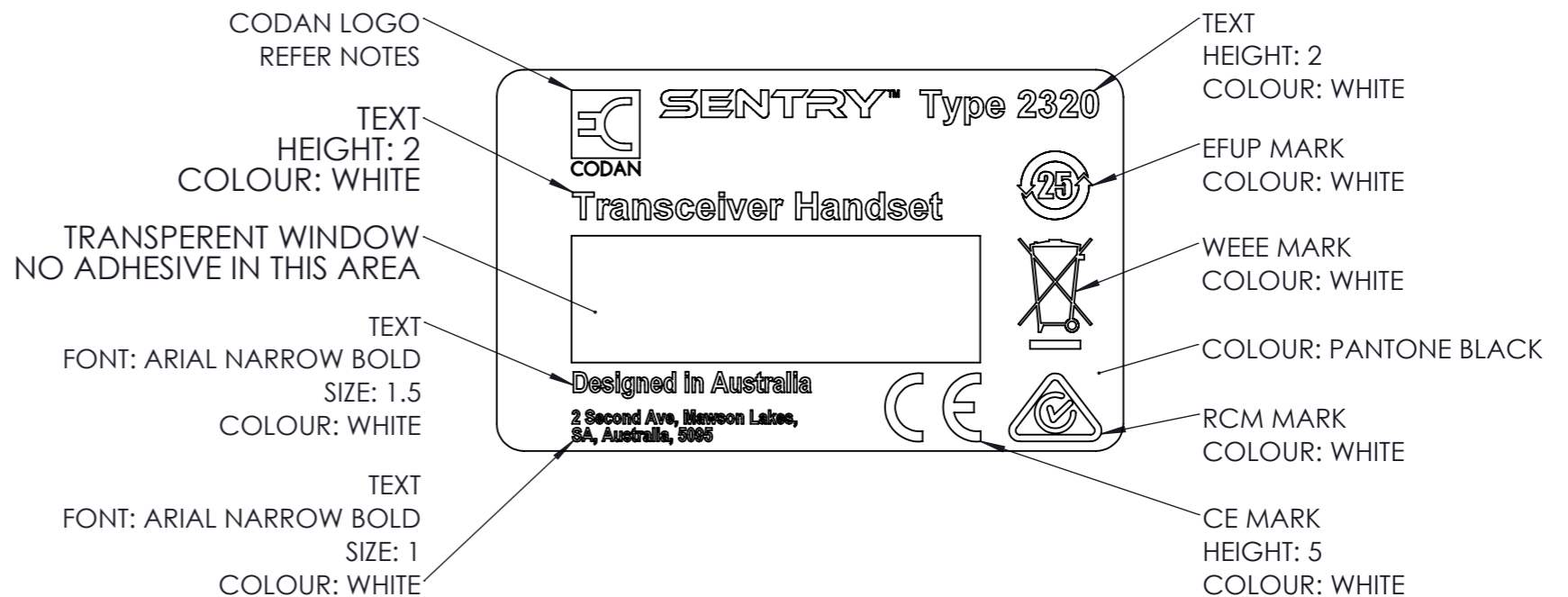
0.2 x 45 ~ R0.2 max		SCALE 1:1		© CODAN LIMITED, ACN 007 590 605. 2016 CONFIDENTIAL The information contained herein is proprietary to Codan Limited, and is to be used by the recipient solely for the purpose for which it is supplied. Codan does not permit the recipient to copy, adapt, publish or disclose the information to third parties except as otherwise agreed with Codan in writing.	
MATERIAL SEE NOTES	DRN LCJ	DATE 11-08-16		CODAN	
FINISH	CHKD PH	DATE 17-01-17	TITLE Escutcheon, RF Unit, 2310		
TOLERANCES UNLESS OTHERWISE SPECIFIED			ISS DRAWING/DOC NO.		
LINEAR ± 0.2 ANGULAR ± 0.5° FLATNESS ± 0.2 ROUGHNESS 1.6 µmRa			1 06-02986		SHT. 1 OF 1

DIMENSIONS IN mm

DO NOT SCALE



SHADED VIEW



NOTES:

- MATERIAL: POLYESTER FILM, ADHESIVE BACKED
TEXTURE: MacDERMID AUTOTEX FINE
THICKNESS: 0.15mm (F150)
COLOUR: AS SPECIFIED
ADHESIVE: 3M 7952
- CODAN LOGO DETAILS
CODAN SPEC: 12-01852
CODAN LOGO COLOUR: WHITE
CODAN LOGO 'C' COLOUR: PANTONE BLACK
CODAN LOGO TEXT COLOUR: WHITE
- TEXT:
FONT: ARIAL BOLD, UNLESS OTHERWISE SPECIFIED
HEIGHT: AS SPECIFIED
COLOUR: AS SPECIFIED
- COLOURS SPECIFIED ARE NOT THE RESULTANT COLOURS
- GEOMETRY DETAIL, IF NOT FULLY DESCRIBED IN THIS DOCUMENTATION:
REFER SOLID MODEL FILE

DIMENSIONS IN mm

0.2 x 45±	R0.2 max			SCALE 2:1	© CODAN LIMITED, ACN 007 590 605: 2016 CONFIDENTIAL The information contained herein is proprietary to Codan Limited, and is to be used by the recipient solely for the purpose for which it is supplied. Codan does not permit the recipient to copy, adapt, publish or disclose the information to third parties except as otherwise agreed with Codan in writing.
MATERIAL REFER NOTE		DRN	LCJ	DATE 12-12-16	
FINISH		CHKD	PH	23-12-17	
		APPD	-	-	A3 TITLE ESCUTCHEON, TRANSCEIVER HANDSET 2320
		TOLERANCES UNLESS OTHERWISE SPECIFIED LINEAR ± 0.2 ANGULAR ± 0.5° FLATNESS ± 0.2 ROUGHNESS 1.6 µmRa			
		DRAWING/DOC NO.			OF 1
		06-02992			OF 1



2310 RFU label position



2320 Handset label position