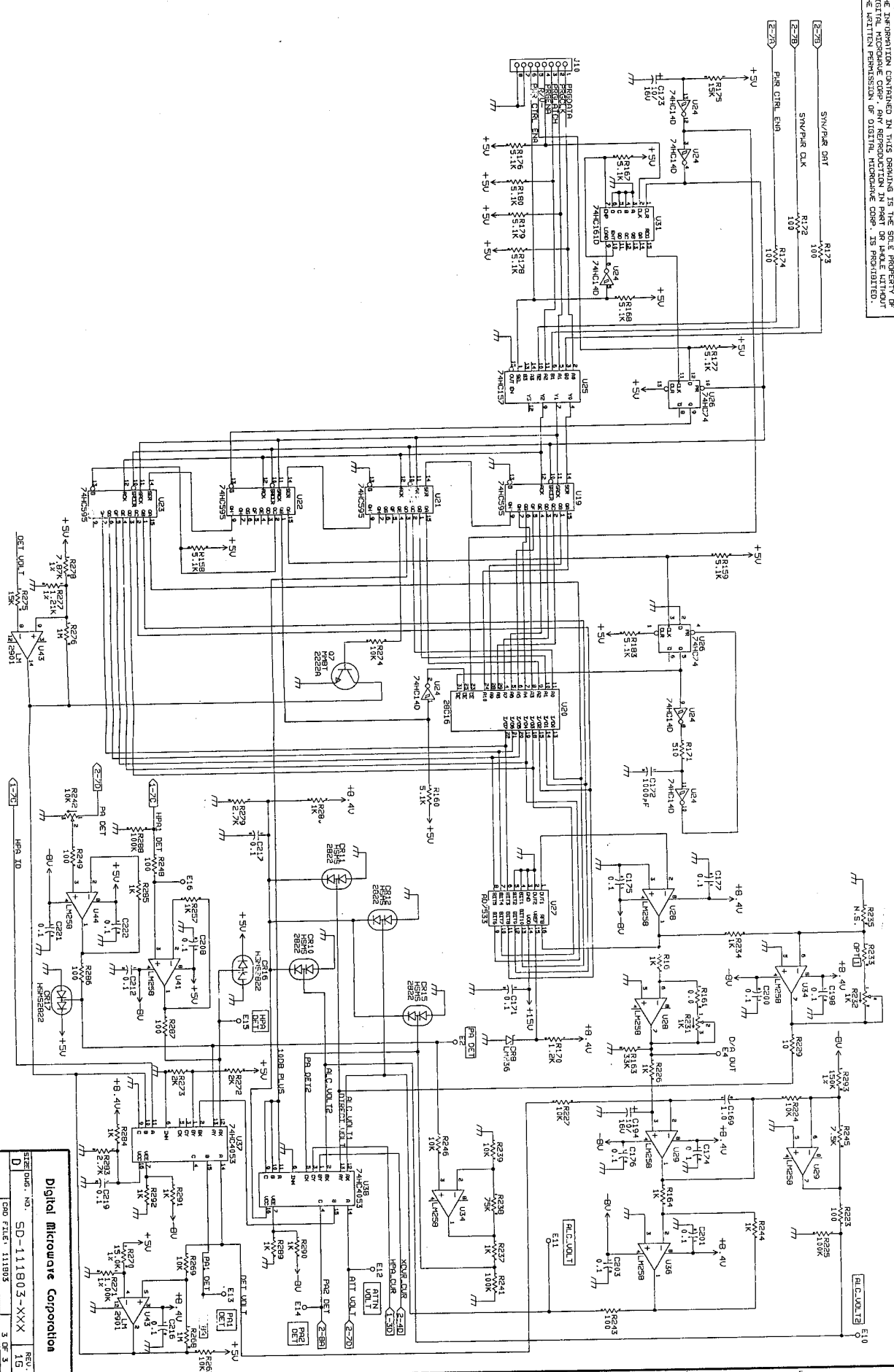


THE INFORMATION CONTAINED IN THIS DRAWING IS THE SOLE PROPERTY OF DIGITAL MICROVARE CORP. ANY REPRODUCTION IN PART OR AS A WHOLE WITHOUT THE WRITTEN PERMISSION OF DIGITAL MICROVARE CORP. IS PROHIBITED.

DWG NO. SD-111803-XXX
 SCHEMATIC, INTERFACE, SNA



Digital Microvare Corporation
 REV. 1G
 SD-111803-XXX
 3 OF 3

SEE SHEET ONE FOR REVISION HISTORY

SEE SHEET ONE FOR REVISION HISTORY

1 2 3 4 5 6 7 8

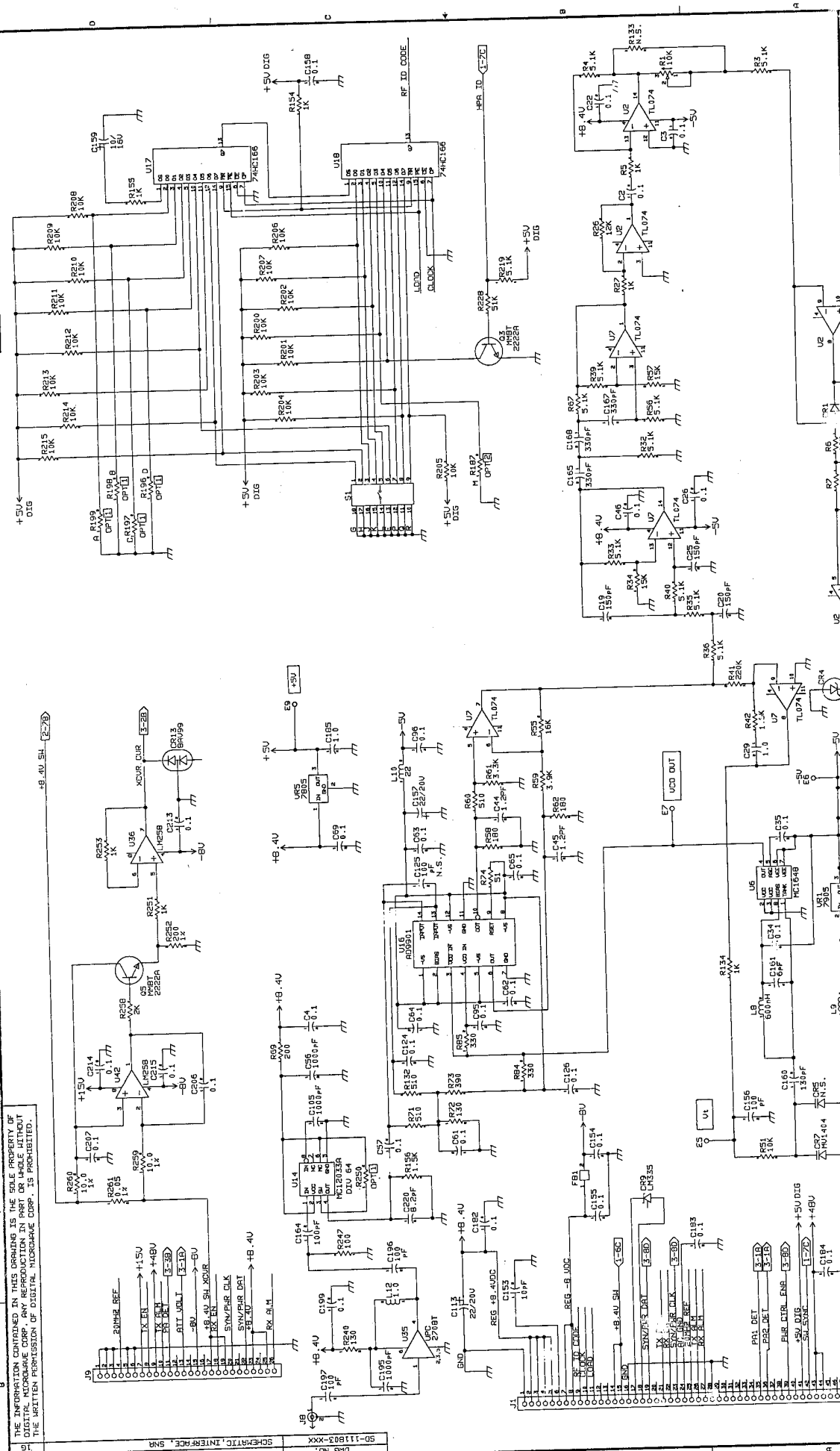
9 10 11 12 13 14 15 16

17 18 19 20 21 22 23 24

25 26 27 28 29 30 31 32

33 34 35 36 37 38 39 40

41 42 43 44 45 46 47 48



REC 16
 DRAWING TITLE SCHEMATIC INTERFACE, SNA
 DWS NO. SD-111803-XXX
 SHEET ONE FOR REVISION HISTORY

REV. 16
 SD-111803-XXX
 2 OF 3
 D
 CRD FILE: 111803

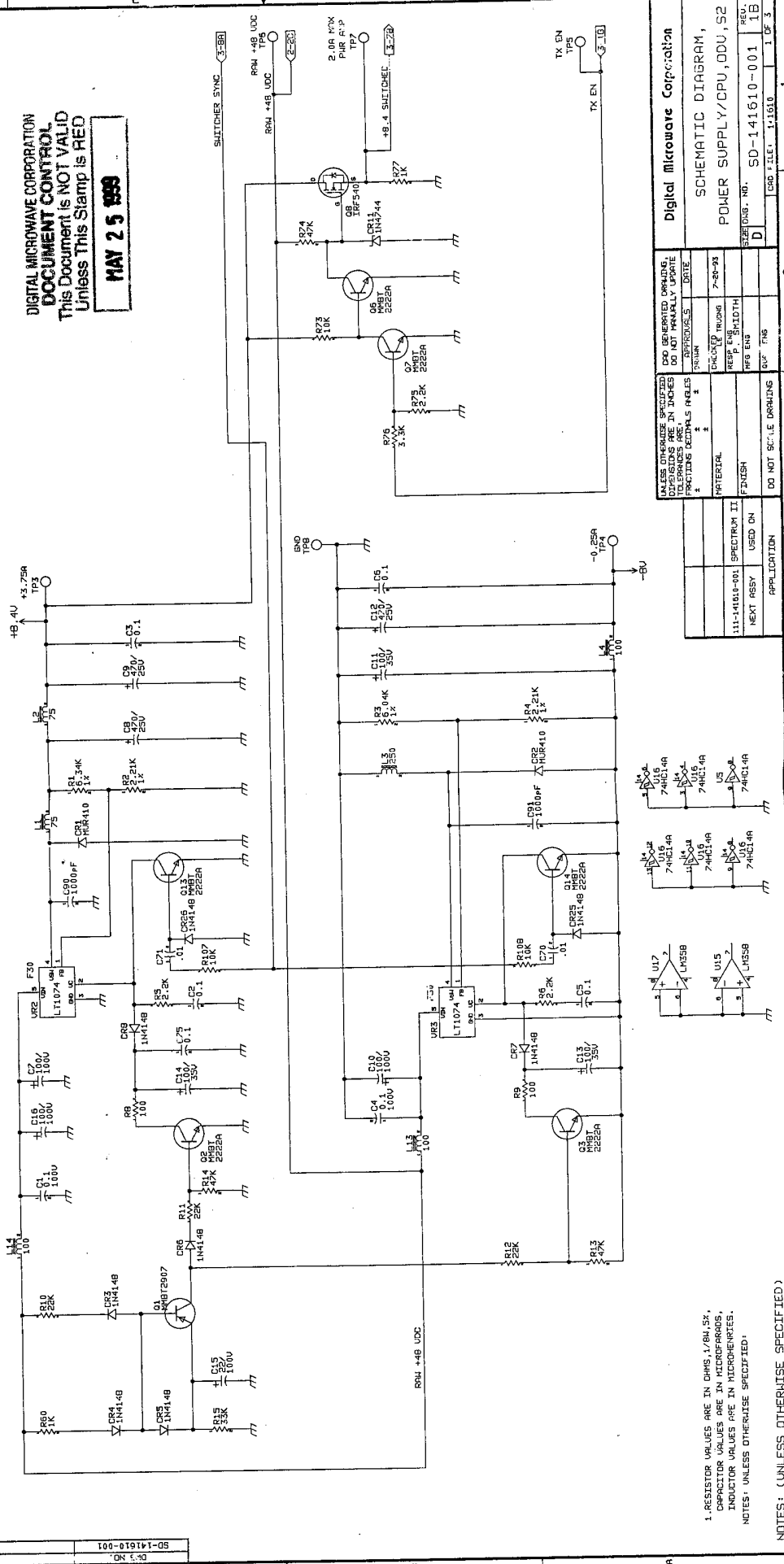
Digital Microwave Corporation

THE INFORMATION CONTAINED IN THIS DRAWING IS THE SOLE PROPERTY OF DIGITAL MICROWAVE CORP. ANY REPRODUCTION IN PART OR IN WHOLE WITHOUT THE WRITTEN PERMISSION OF DIGITAL MICROWAVE CORP. IS PROHIBITED.

REV. 1B
 DRAWING TITLE: POWER SUPPLY/CPU,00U,52
 DC: 3 NO
 SD-141610-001

REV.	DESCRIPTION	DATE	APPROVED
1	J46308 BR/LT 11-30-93		
2	J46482 LT 03-30-94		
3	J46295 KC 05-25-94		
4	J46766 EDD46706 B6 10-28-94		
5	J46904 EDD46907 BFD 02-01-95		
6	J46904 EDD47047 BFD 02-02-95		
7	J46904 EDD47066 BFD 02-02-95		
8	J46987 EDD47630 BFD 05-31-95		
9	J47248 EDD46980 LT 11-26-96		

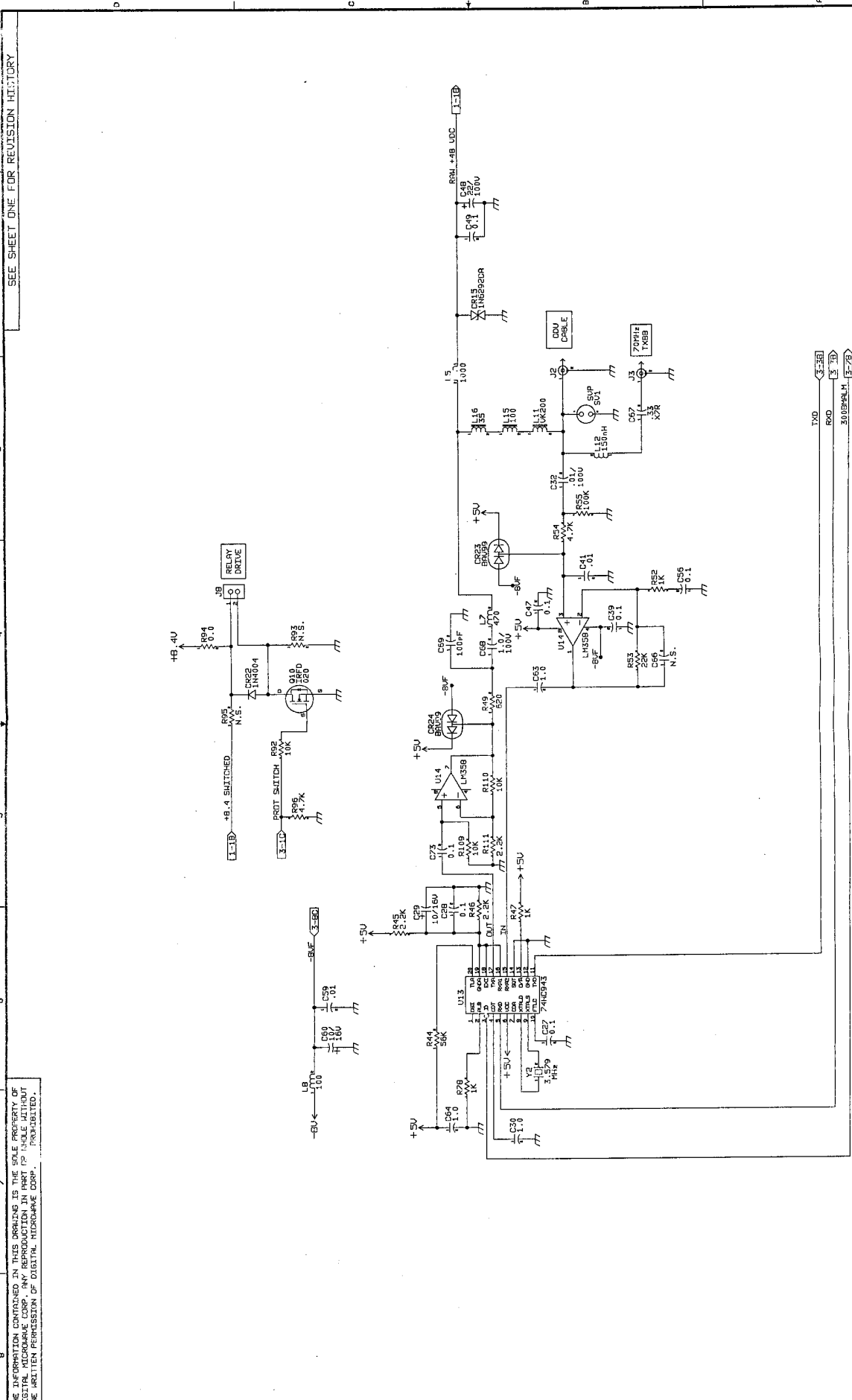
DIGITAL MICROWAVE CORPORATION
DOCUMENT CONTROL
 This Document is NOT VALID
 Unless This Stamp is RED
MAY 25 1999



SEE SHEET ONE FOR REVISION HISTORY

THE INFORMATION CONTAINED IN THIS DRAWING IS THE SOLE PROPERTY OF DIGITAL MICROWAVE CORP. ANY REPRODUCTION IN PART OR IN WHOLE WITHOUT THE WRITTEN PERMISSION OF DIGITAL MICROWAVE CORP. IS PROHIBITED.

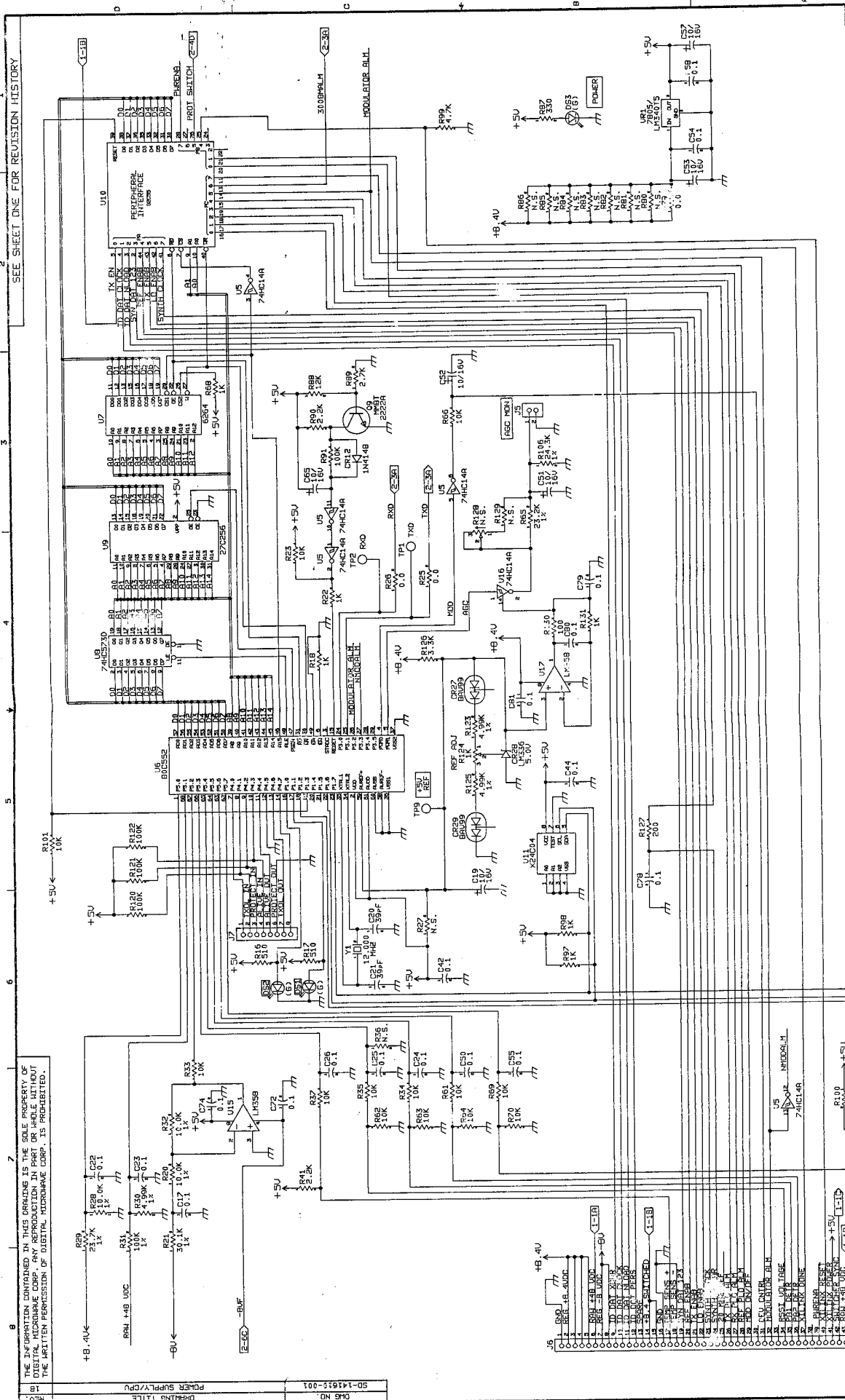
REV	DWG NO.	DWG TITLE
01	SD-141610-001	POWER SUPPLY/CPV



Digital Microwave Corporation
 DRAWING NO. SD-141610-001 REV. D
 CADD FILE: 2 OF 3

1X0 3-28
 R00 3-18
 3000PPLM 3-28

SEE SHEET ONE FOR REVISION HISTORY

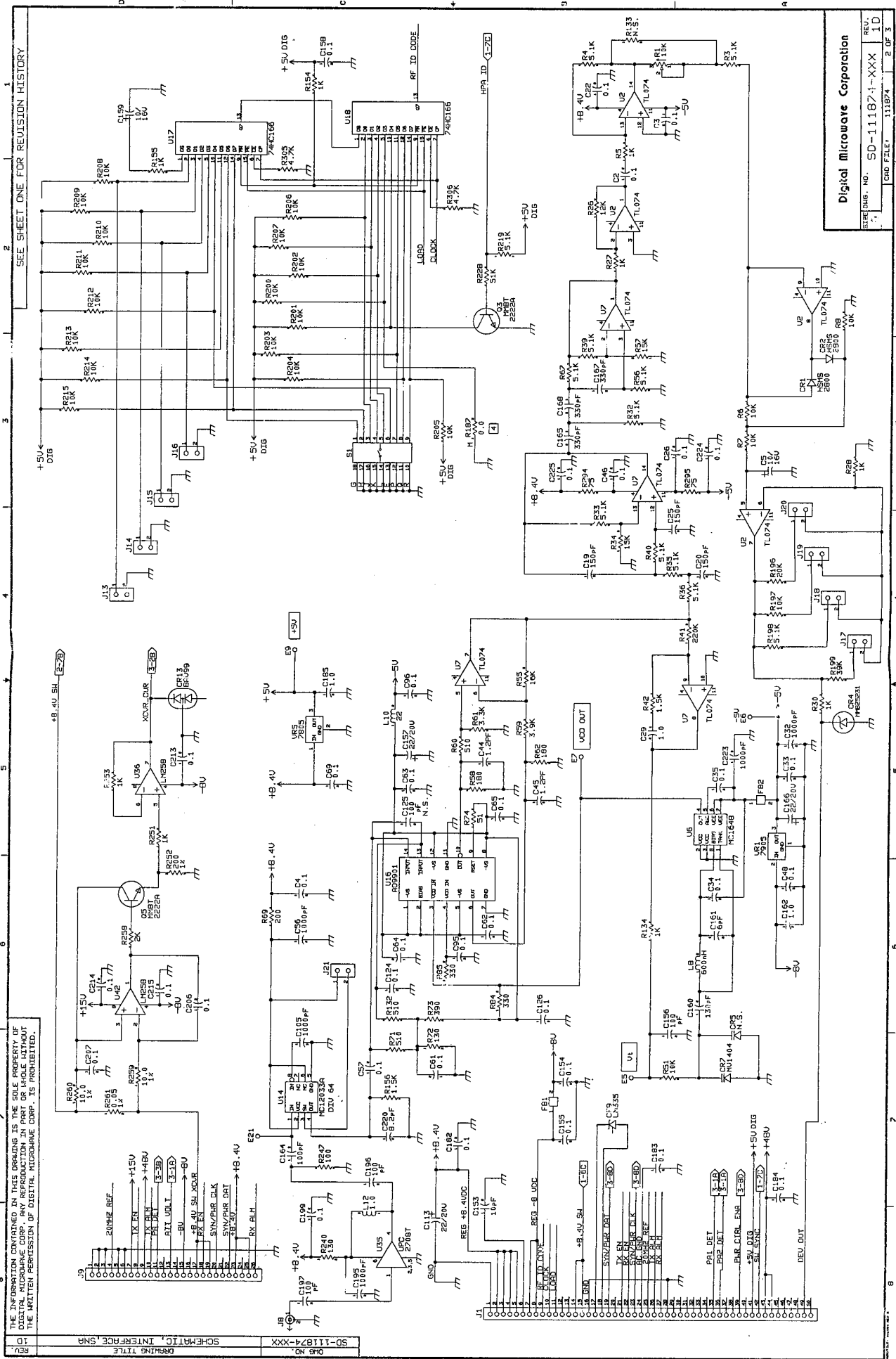


THE INFORMATION CONTAINED IN THIS DRAWING IS THE SOLE PROPERTY OF DIGITAL MICROWARE CORP. ANY REPRODUCTION IN PART OR WHOLE WITHOUT THE WRITTEN PERMISSION OF DIGITAL MICROWARE CORP. IS PROHIBITED.

DRWG. NO. 50-141610-001
 Dwg. No. 50-141610-001
 DRAWING TITLE: POWER SUPPLY/CPU
 DATE: 11/18/78

Digital Microwave Corporation

REV. 18
 50-141610-001
 D
 3 OF 1
 CRD FILE:



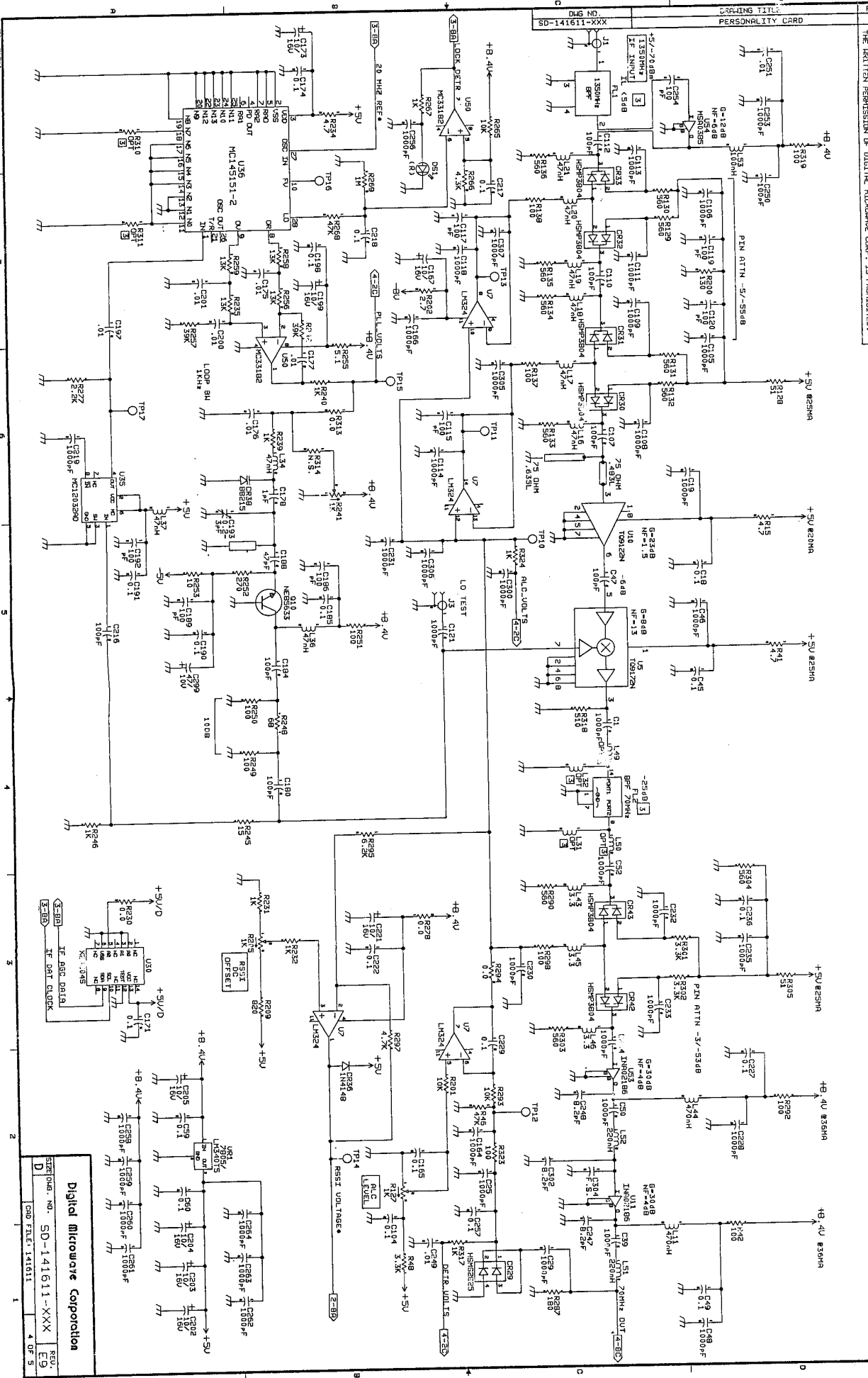
10 REV
 9 SD-111874-XXX
 8 DRAWING TITLE
 7 SCHEMATIC, INTERFACE, S/M
 6
 5
 4
 3
 2
 1

SEE SHEET ONE FOR REVISION HISTORY

Digital Microwave Corporation
 111874-1-XXX
 2 OF 3

THE INFORMATION CONTAINED IN THIS DRAWING IS THE SOLE PROPERTY OF DIGITAL MICROWARE CORP. AND IS UNCLASSIFIED. REPRODUCTION OF THIS DRAWING FOR ANY PURPOSES WITHOUT THE WRITTEN PERMISSION OF DIGITAL MICROWARE CORP. IS PROHIBITED.

SEE SHEET ONE FOR REVISION HISTORY



Digital Microwave Corporation	
REV. E9	4 OF 5
REV. D	1
REV. C	2
REV. B	3
REV. A	4
REV. 0	5

138

THE INFORMATION CONTAINED IN THIS DRAWING IS THE SOLE PROPERTY OF DIGITAL MICROWARE CORP. ANY REPRODUCTION IN PART OR WHOLE WITHOUT THE WRITTEN PERMISSION OF DIGITAL MICROWARE CORP. IS PROHIBITED.

DWG NO. SD-141611-XXX
DRAWING TITLE PERSONALITY CARD

OPTION TABLE 3
X=0 OHM RESISTOR INSTALLED

RE- LEASED	OPTION	BIT RATE	F FILTER		MOD. TYPE						U. RESSE			
			F1 1350 FILTER	F2 FILTER	R194	R195	R196	R197	R198	R199	R200	R201		
-001														
-002														
-003														
X -004	BE1 4FSK		BU-15MHZ-04	BS1549	560W	470M	NS	NS	X	NS	X	10K		
X -005	40S1 4FSK		025-315592-04	025-41542-03	280M	100M	3.3UH	3.3UH	X	NS	X	10K		
X -006	4C1 4FSK		BU-15MHZ-04	BS1556-04	X	X	3.3UH	3.3UH	X	NS	X	10K		
-007														
X -008	BE1 4FSK		BU-32MHZ	SMBH-70/14	X	X	NS	NS	X	NS	X	10K		
-009			025-315592-06	025-415547-09										
-010														
-011														
-012														
-013														
-014														
-015														
-016														
-017														
-018														
-019														
-020														
-021														
-022														
-023														
-024														
-025														
-026														
-027														
-028														
-029														
-030														

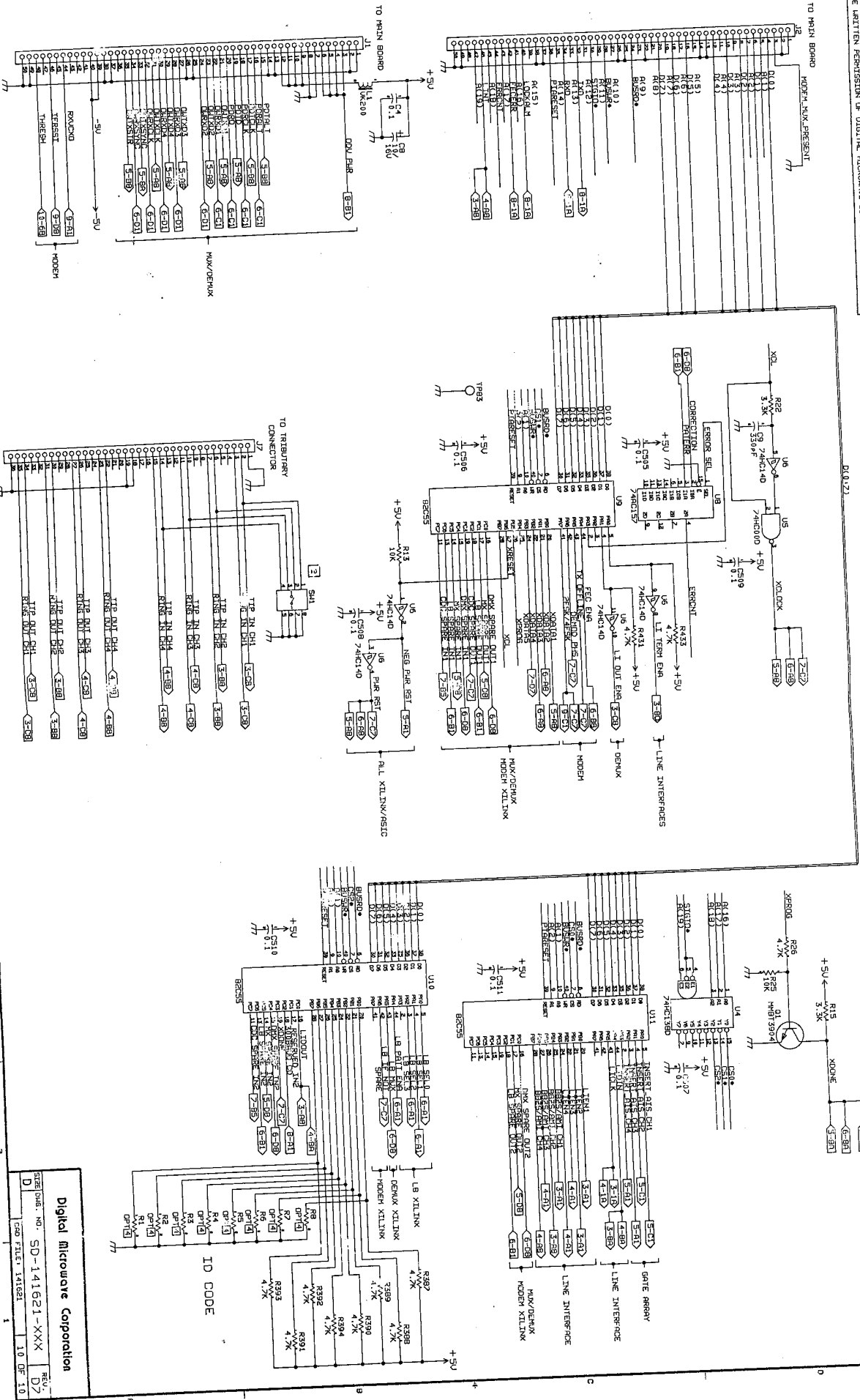
Digital Microwave Corporation
 DWG NO. SD-141611-XXX
 D 300 FILE 14811 3 OF 5
 REV. E3

SEE SHEET ONE FOR REVISION HISTORY

THE INFORMATION CONTAINED IN THIS DRAWING IS THE SOLE PROPERTY OF DIGITAL MICROWARE CORP. ANY REPRODUCTION IN ANY FORM OR MANNER WITHOUT THE WRITTEN PERMISSION OF DIGITAL MICROWARE CORP. IS PROHIBITED.

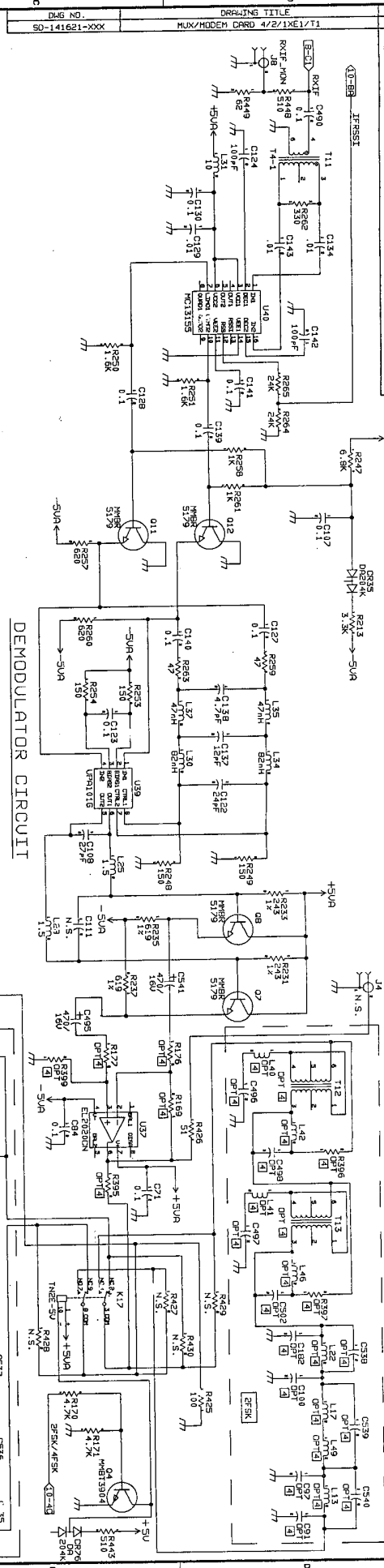
REV. 0
 DRAWING TITLE: MUX/MODEM CARD 4/2/1XE1/T1
 Dwg. NO.: SD-141621-XXX

SEE SHEET ONE FOR REVISION HISTORY

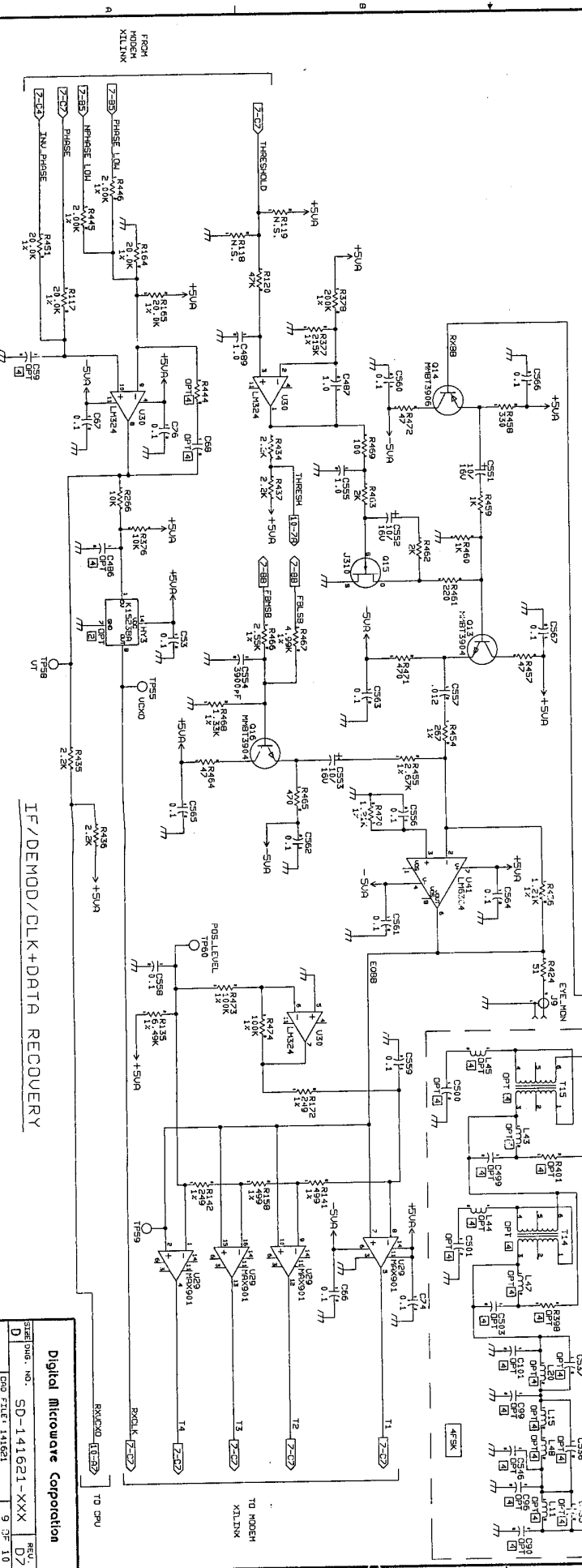


Digital Microwave Corporation
 REVISION NO.: SD-141621-XXX
 CAD FILE: 141621
 10 OF 10
 REV. 07

THE INFORMATION CONTAINED IN THIS DRAWING IS THE SOLE PROPERTY OF DIGITAL MICROCORE CORP. ANY REPRODUCTION IN PART OR WHOLE WITHOUT THE WRITTEN PERMISSION OF DIGITAL MICROCORE CORP. IS PROHIBITED.



DEMODULATOR CIRCUIT



IF/DEMOD/CLK+DATA RECOVERY

Digital Microwave Corporation
 SD-141621-XXX
 9 OF 10

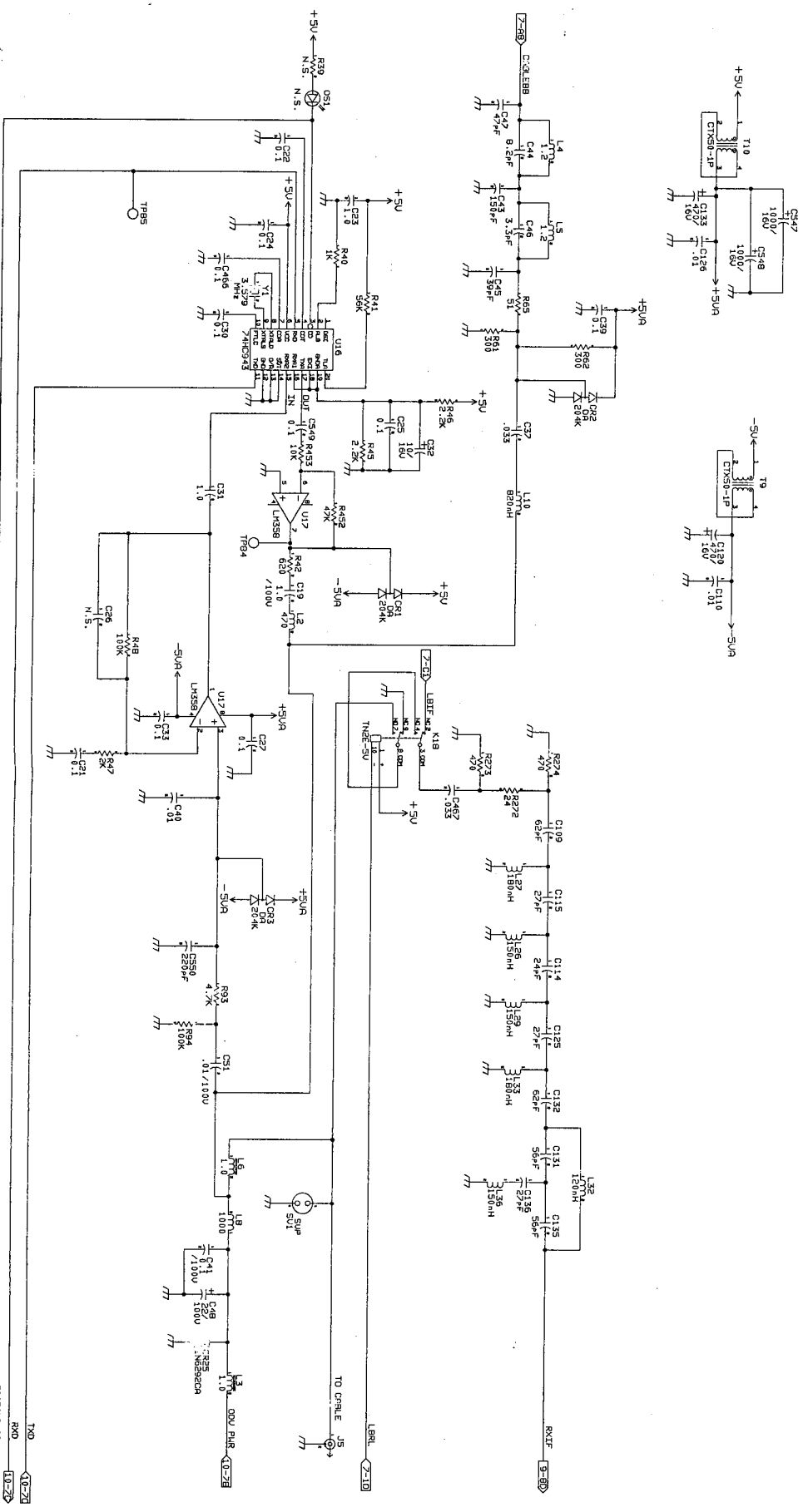
FROM XLTINX TO XLTINX
 TO XLTINX
 TO CPU
 TO XLTINX

REV 07
 Dwg No. SD-141621-XXX
 DRAWING TITLE MUX/MODEM CARD 4/2/1X1/1/1
 SEE SHEET ONE FOR REVISION HISTORY

THE INFORMATION CONTAINED IN THIS DRAWING IS THE SOLE PROPERTY OF
 DIGITAL MICROWARE CORP. ANY REPRODUCTION IN PART OR WHOLE WITHOUT
 THE WRITTEN PERMISSION OF DIGITAL MICROWARE CORP. IS PROHIBITED.

SEE SHEET ONE FOR REVISION HISTORY

DWG NO. SD-141621-XXX
 DRAWING TITLE MUX/HODEM CARD 4/2/1/KE1/T1



INDOOR CABLE INTERFACE

Digital Microwave Corporation

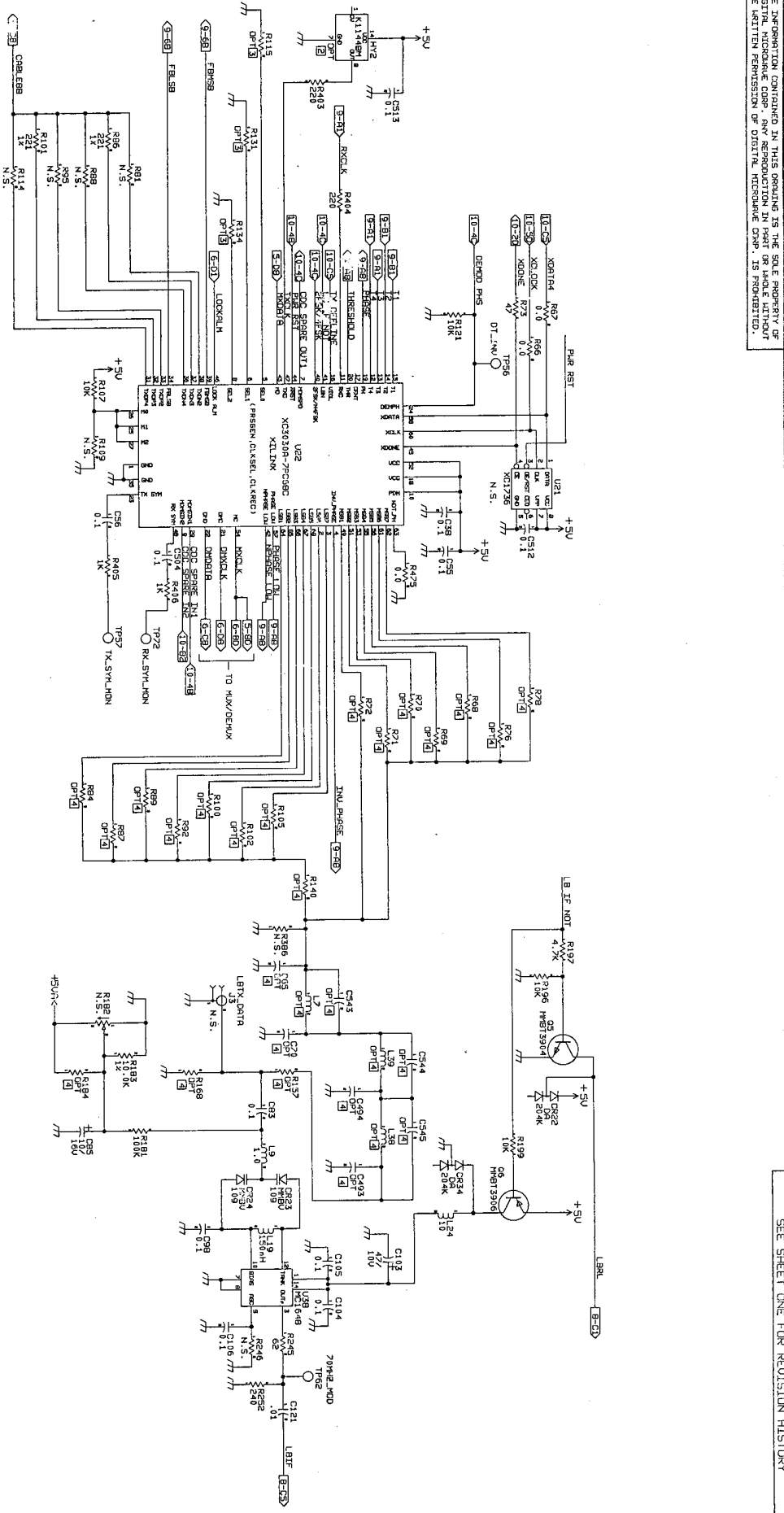
SIZE: 0.5" x 0.5" NO. SD-141621-XXX REV. 07

CAD FILE: 141621 8 OF 10

100 R00 10-20 300R000 CD 11-20

THE INFORMATION CONTAINED IN THIS DRAWING IS THE SOLE PROPERTY OF
DIGITAL MICROWARE CORP. ANY REPRODUCTION IN PART OR WHOLE WITHOUT
THE WRITTEN PERMISSION OF DIGITAL MICROWARE CORP. IS PROHIBITED.

DWG. NO.	DRAWING TITLE	REV.
SD-141621-XXX	HUX/MODEM CARD 4/2/1XE1/1/1	D7



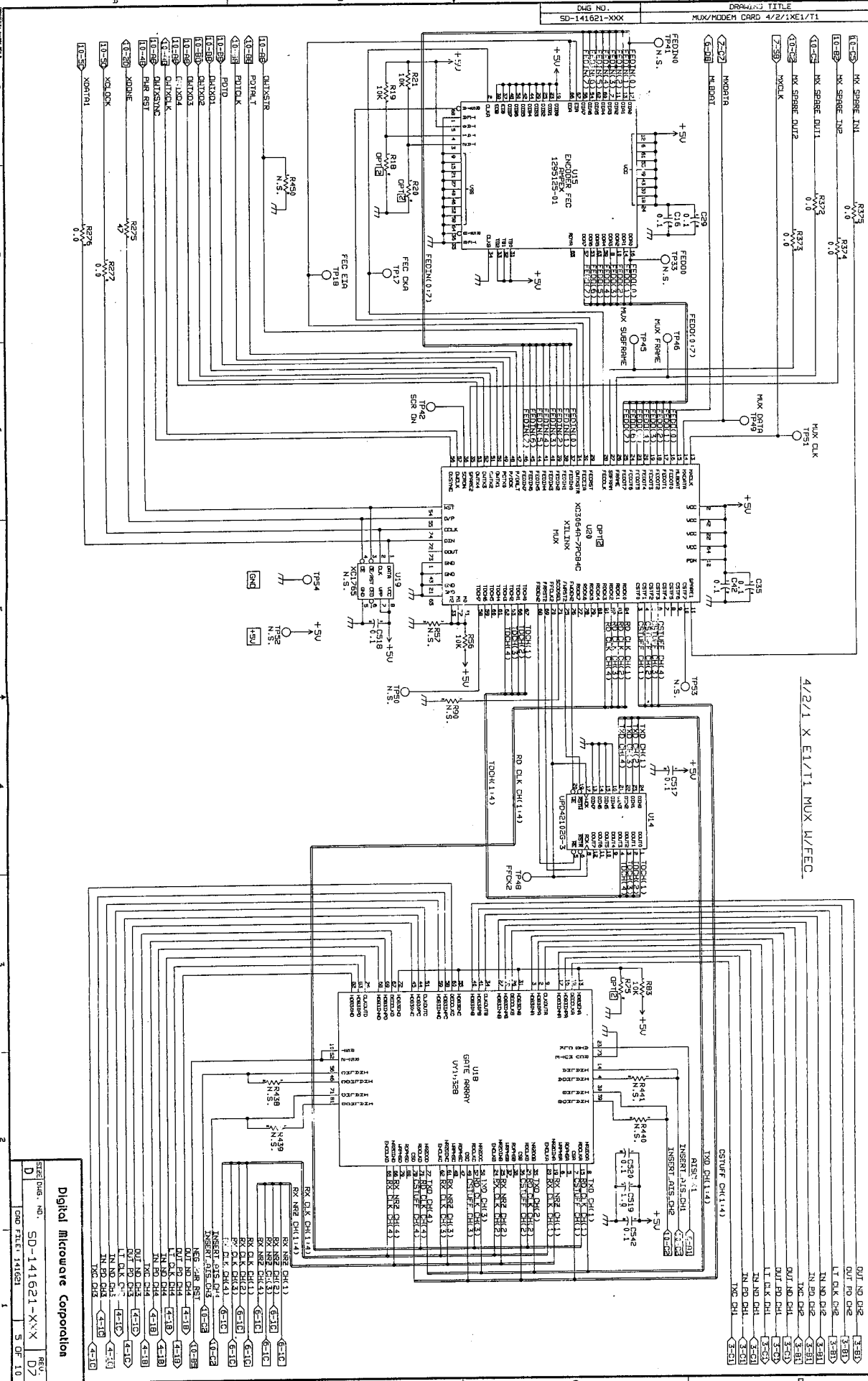
SEE SHEET ONE FOR REVISION HISTORY

Digital Microwave Corporation

SD-141621-XXX

REV. D7

7 OF 10



REV	DATE	BY	CHKD	DESCRIPTION
07				

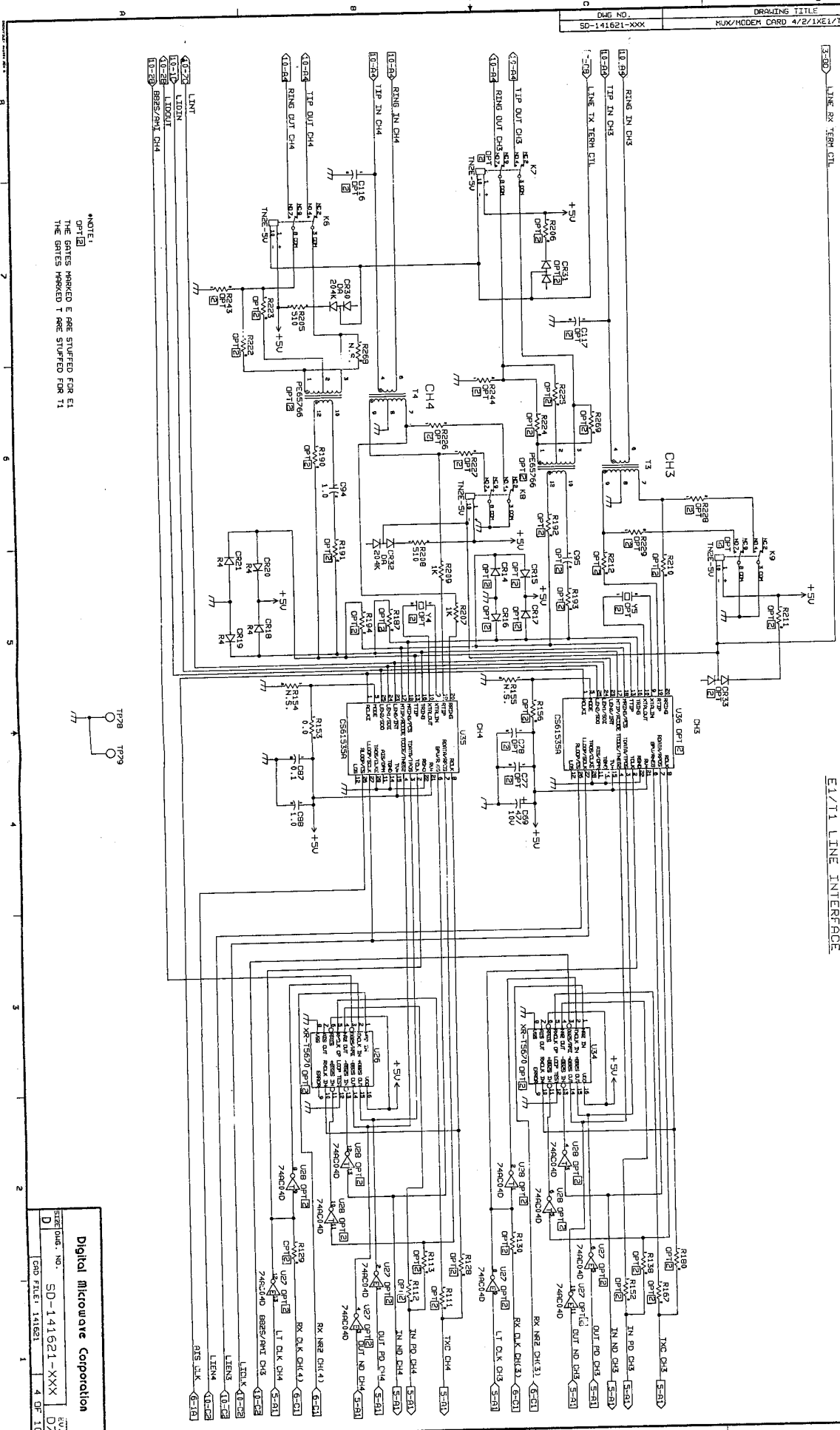
Digital Microwave Corporation
 SD-141621-XXX
 S OF 10

REV. D7
 DRAWING TITLE: MUX/MODEM CARD 4/2/1X1E1/T1
 Dwg No: SD-141621-XXX

THE INFORMATION CONTAINED IN THIS DRAWING IS THE SOLE PROPERTY OF DIGITAL MICROWAVE CORP. ANY REPRODUCTION IN PART OR WHOLE WITHOUT THE WRITTEN PERMISSION OF DIGITAL MICROWAVE CORP. IS PROHIBITED.

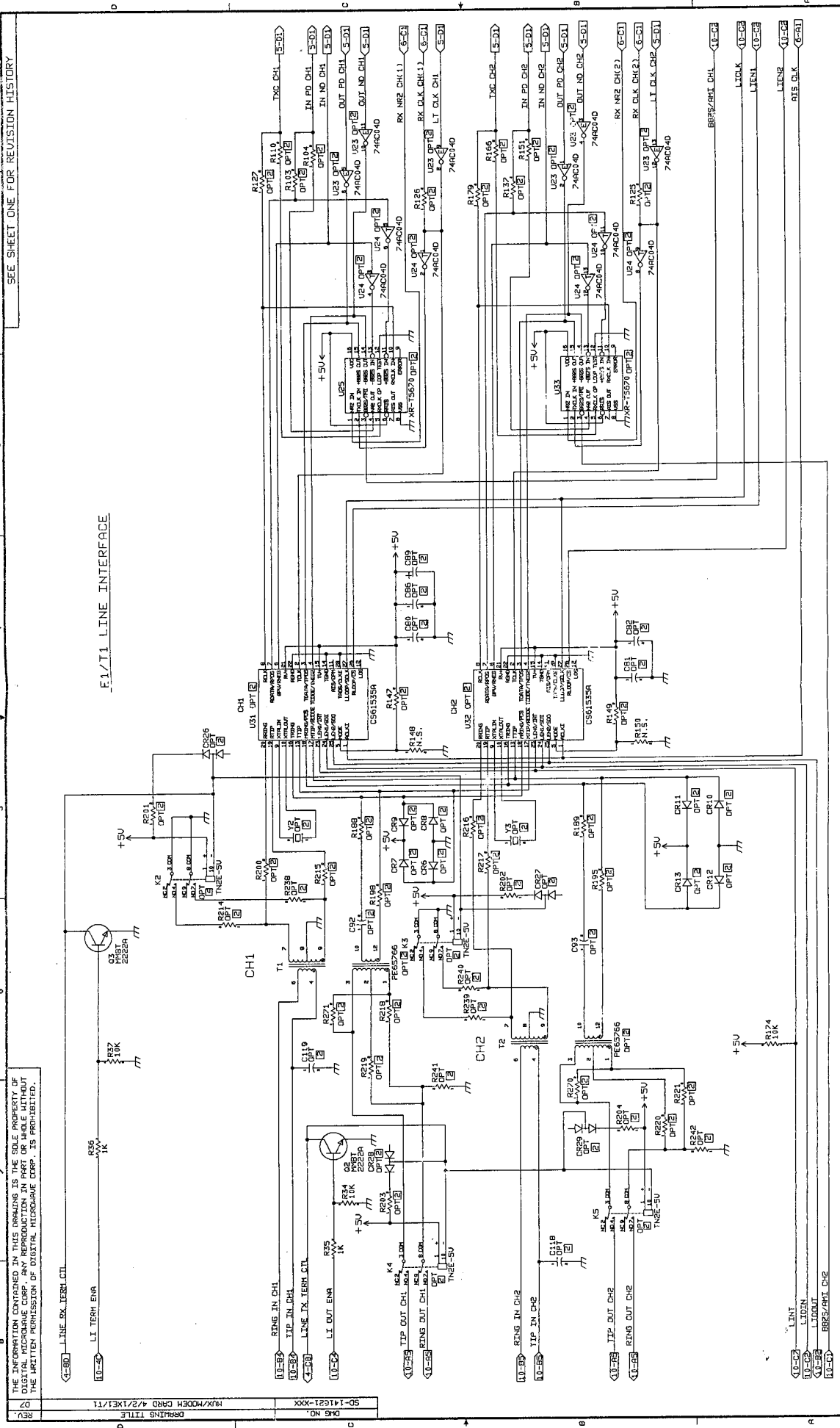
SEE SHEET ONE FOR REVISION HISTORY

E1/T1 LINE INTERFACE



*NOTE:
 OPT15
 THE BRGES MARKED E ARE STUFFED FOR E1
 THE BRGES MARKED T ARE STUFFED FOR T1

Digital Microwave Corporation
 DRAWING NO. SD-141621-XXX
 REV. D7
 CAD FILE: 141621
 4 OF 10



F1/T1 LINE INTERFACE

SEE SHEET ONE FOR REVISION HISTORY

THE INFORMATION CONTAINED IN THIS DRAWING IS THE SOLE PROPERTY OF DIGITAL MICROWAVE CORP. ANY REPRODUCTION IN PART OR WHOLE WITHOUT THE WRITTEN PERMISSION OF DIGITAL MICROWAVE CORP. IS PROHIBITED.

REV. 07 DWS NO. 50-141621-XXX DRWING TITLE MIX/MODEM CARD #2/1X/E1/T1

Digital Microwave Corporation
 SIZE: 11x17 IN. NO. SD-141621-XXX REV. D7
 DATE: 11/18/81 CPG: TEL: 141821 3 OF 10

T980 T982 T981

*NOTE:
 OPT[]
 THE GATES MARKED F ARE STUFFED FOR E1
 THE GATES MARKED T ARE STUFFED FOR T1

1-DAT
 10-CLK
 11-OUT
 12-CLK
 13-CLK