

**Thank you** for purchasing this fine window treatment proudly constructed by us. Your shade has been custom-sized to your personal specifications with the highest standards of quality and craftsmanship. We have confidence that it will provide you with many years of beauty and easy maintenance. Enjoy!

Follow the easy step-by-step instructions to install your shade. Should you need additional support, please feel free to call our Customer Service Center at 1-800-221-6352 or email us at [windowfashions@springswindowfashions.com](mailto>windowfashions@springswindowfashions.com). We will be glad to help you. Again, we appreciate that you have chosen us to enhance the design and look of your home.

**Gracias** por adquirir este fino tratamiento de ventana orgullosamente fabricado para usted. Su persiana ha sido hecha a la medida del cliente según sus especificaciones personales con los más altos estándares de calidad y trabajo artesanal. Nosotros tenemos la confianza que le proveerá muchos años de belleza y fácil mantenimiento. ¡Disfrútelas!

Siga las fáciles instrucciones "paso a paso" para instalar su persiana. Si necesita ayuda adicional, favor de proceder con toda libertad llamando al Centro de Servicio al Cliente al teléfono 1-800-221-6352 o enviando un correo electrónico a [windowfashions@springswindowfashions.com](mailto>windowfashions@springswindowfashions.com). Estaremos muy dispuestos para ayudarle. Nuevamente, nosotros apreciamos que nos haya escogido para mejorar el diseño y la apariencia de su hogar.

**Merci** d'avoir acheté ce superbe traitement de fenêtre que nous sommes fiers d'avoir exécuté pour vous. Votre store a été fait sur mesure selon votre propre cahier des charges dans un souci d'excellence et de la plus haute technicité. Nous ne doutons pas qu'il vous offrira des années de beauté et d'entretien facile Profitez-en bien !

Pour installer votre store, veuillez suivre les instructions détaillées. Si vous avez des questions n'hésitez pas à prendre contact avec notre Centre de service après-vente en téléphonant au 1-800-221-6352 ou par courrier électronique au [windowfashions@springswindowfashions.com](mailto>windowfashions@springswindowfashions.com). Nous vous aiderons avec plaisir. Encore une fois, nous vous remercions de nous avoir choisi pour améliorer et embellir votre intérieur.

## HOW TO INSTALL CÓMO INSTALAR COMMENT INSTALLER

**Inside-/ceiling- or outside-mount motorized Cellular, Pleated, or Classic Roman Shade.**


**Inside-/ceiling- or outside-mount motorized Cellular, Pleated, or Classic Roman Shade.**

**Inside-/ceiling- or outside-mount motorized Cellular, Pleated, or Classic Roman Shade.**

1

**Everything needed to install your shade**  
**Todo lo necesario para instalar su persiana.**  
**Tout le nécessaire pour installer votre store**

1 Shade  
2 Brackets/Screws  
3 Optional Extension Brackets  
4 Reloadable battery case (optional)  
5 Battery hanger/Screws  
6 Plug-in Transformer (optional)  
7 8 AA Batteries (optional)



1  
4  
5  
7

Single cell  
Celda sencilla  
Cellulaire simple

Double cell  
Celda doble  
Cellulaire double

Pleated  
Plisada  
Plissé

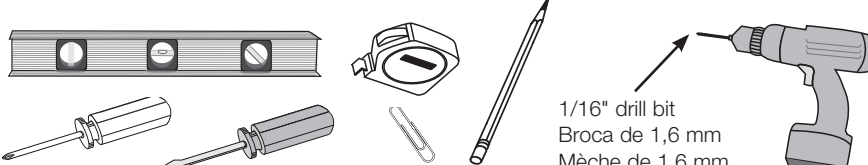
Looped  
Lazada  
En boucle

**Bracket chart (items 3, 4, 8 & 10)**  
**Tabla de soportes**  
**Tableau des supports**

Ordered width Ancho ordenado Largeur commandée	Bracket quantity Cantidad de soportes Quantité de boîtier
Up to 42" • hasta 106,7 cm • jusqu'à 106,7 cm	2
42 1/8" to 72" • 106,8 cm hasta 182,9 cm • 106,8 cm jusqu'à 182,9 cm	3
72 1/8" to 102" • 183 cm hasta 259,1 cm • 183 cm jusqu'à 259,1 cm	4
102 1/8" to 132" • 259,2 cm hasta 335,3 cm • 259,2 cm jusqu'à 335,3 cm	5
132 1/8" to 144" • 335,4 cm hasta 365,9 cm • 335,4 cm jusqu'à 365,9 cm	6

Shades over 3,600 in<sup>2</sup> (4,200 Roman) will have 2 battery cases • **Shades over 3,600 in<sup>2</sup> (4,200 Roman) will have 2 battery cases** • **Shades over 3,600 in<sup>2</sup> (4,200 Roman) will have 2 battery cases**

**Tools needed • Herramientas necesarias • Outillage nécessaire**



1/16" drill bit  
Broca de 1,6 mm  
Mèche de 1,6 mm

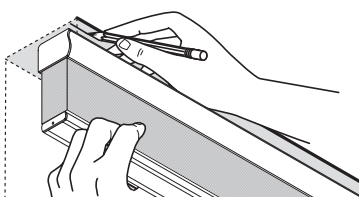
2

**Determine inside/ceiling or outside mount**  
**Determine el montaje interior/de techo o exterior**  
**Choisir la pose intérieure/au plafond ou extérieure**

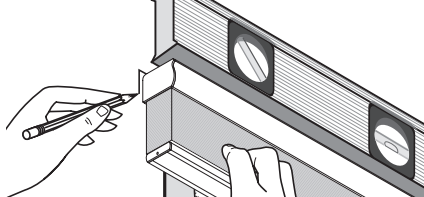
3

**Place shade in desired location, mark corners**  
**Coloque la persiana en la ubicación deseada, marque las esquinas**  
**Placer le store dans l'emplacement souhaité, marquer les coins**

**Inside/ceiling mount**  
**Montaje de techo/interior • Pose intérieure/au plafond**



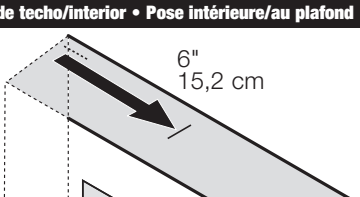
**Outside mount**  
**Montaje exterior • Pose extérieure**



4

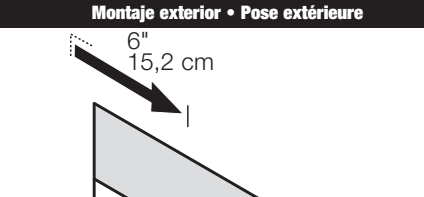
**Measure in from both ends and mark**  
**Mida desde los dos extremos y marque**  
**Mesurer à partir de chacune des extrémités et marquer**

**Inside/ceiling mount**  
**Montaje de techo/interior • Pose intérieure/au plafond**



6"  
15,2 cm

**Outside mount**  
**Montaje exterior • Pose extérieure**

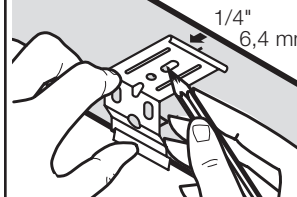


6"  
15,2 cm

5

**Mark screw locations; center additional brackets, if applicable**  
**Marque la ubicación de los tornillos; centre los soportes adicionales, si es aplicable**  
**Marquer l'emplacement des vis; centrer les supports supplémentaires, le cas échéant**

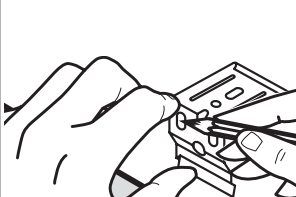
**Inside/ceiling mount**  
**Montaje de techo/interior**  
**Pose intérieure/au plafond**



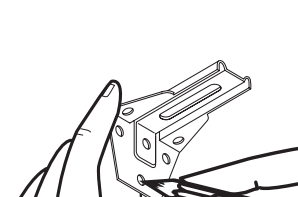
1/4"  
6,4 mm

1/4" to front of bracket for flush mount  
6,4 mm desde el frente del soporte para un montaje a ras  
6,4 mm jusqu'à l'avant du support pour montage encastré

**Outside mount**  
**Montaje exterior**  
**Pose extérieure**



**Optional extension bracket**  
**Soporte de extensión opcional**  
**Rallonge (en option)**

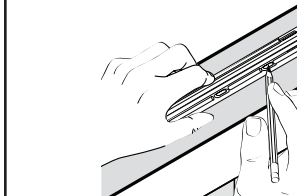


If using optional Battery Hanger, skip ahead to step 8  
If using optional Battery Hanger, skip ahead to step 8  
If using optional Battery Hanger, skip ahead to step 8


6

**If mounting the battery case, mark battery screw locations**  
**If mounting the battery case, mark battery screw locations**  
**If mounting the battery case, mark battery screw locations**

**Inside/ceiling mount**  
**Montaje de techo/interior • Pose intérieure/au plafond**



**Outside mount**  
**Montaje exterior • Pose extérieure**



On right end of window, hold battery case 1" behind and 2" to the left of the rear bracket screw location and mark. For a second reloadable battery case, mount the second set 5" to the left of the first base and mark.

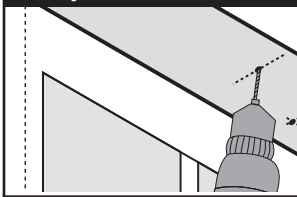
On right end of window, hold battery case 1" behind and 2" to the left of the rear bracket screw location and mark. For a second reloadable battery case, mount the second set 5" to the left of the first base and mark.

On right end of window, hold battery case 1" behind and 2" to the left of the rear bracket screw location and mark. For a second reloadable battery case, mount the second set 5" to the left of the first base and mark.

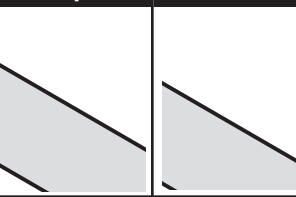
7

**Drill holes, screw brackets into place, and battery case if applicable.**  
**Drill holes, screw brackets into place, and battery case if applicable.**  
**Drill holes, screw brackets into place, and battery case if applicable.**

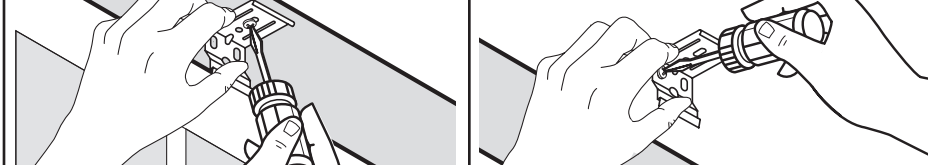
**Inside/ceiling mount**  
**Montaje de techo/interior • Pose intérieure/au plafond**



**Outside mount**  
**Montaje exterior • Pose extérieure**

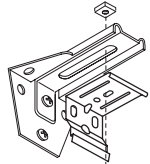


**Optional extension bracket**  
**Soporte de extensión opcional • Rallonge (en option)**



**Optional extension bracket: assemble brackets**  
**Soporte de extensión opcional: ensamble los soportes • Support de projection en option : assembler les supports**

Attach headrail brackets to extension brackets using screws and nuts.  
Conecte los soportes del cabezal con los soportes de extensión utilizando tornillos y tuercas.  
Fixer les supports de boîtier aux rallonges à l'aide des vis et des écrous.

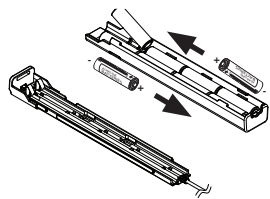
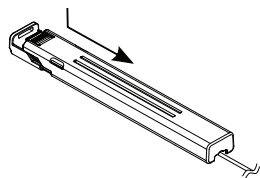
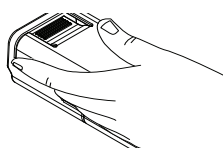


Springs Window Fashions • Middleton, WI 53562-1096 • [www.springswindowfashions.com](http://www.springswindowfashions.com)

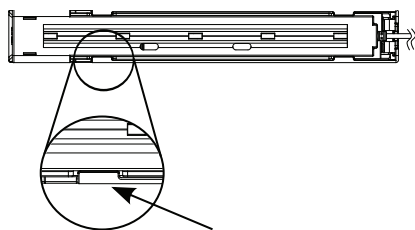
**SPRINGS WINDOW FASHIONS**  
the Best Experience Company 79056-00 (07/14)

**8**

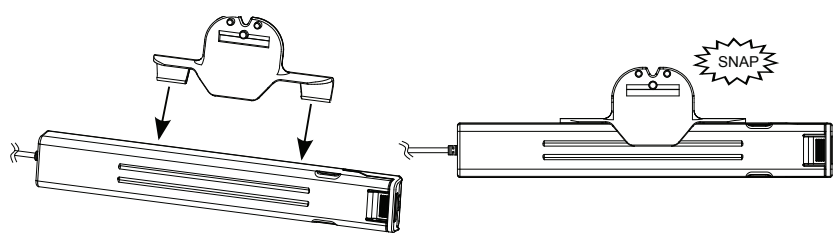
**Remove battery case lid, insert batteries into lid**  
**Remove battery case lid, insert batteries into lid**  
**Remove battery case lid, insert batteries into lid**

**8**

**Reattach the Battery Case lid to the Battery Case base by aligning the pegs with the slots.**  
**Reattach the Battery Case lid to the Battery Case base by aligning the pegs with the slots.**  
**Reattach the Battery Case lid to the Battery Case base by aligning the pegs with the slots.**

**9**

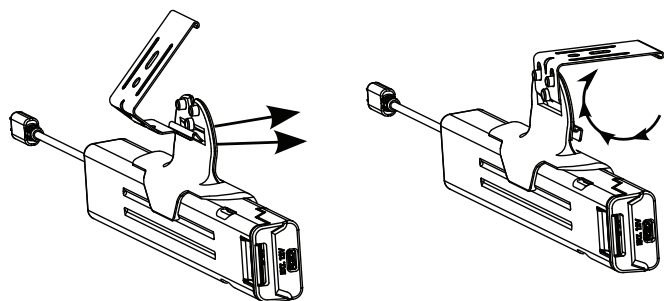
**Optional Battery Hanger**  
**Optional Battery Hanger**  
**Optional Battery Hanger**



Attach the battery pack hanger to the assembled battery case.

Attach the battery pack hanger to the assembled battery case.

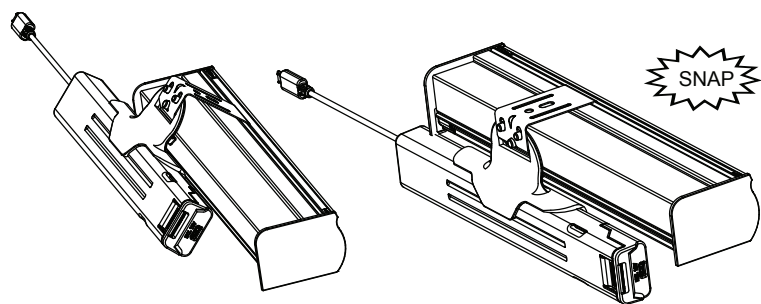
Attach the battery pack hanger to the assembled battery case.



Tilt the headrail bracket through the slot in the battery hanger and press until snug.

Tilt the headrail bracket through the slot in the battery hanger and press until snug.

Tilt the headrail bracket through the slot in the battery hanger and press until snug.



Attach bracket with Battery Case to shade.

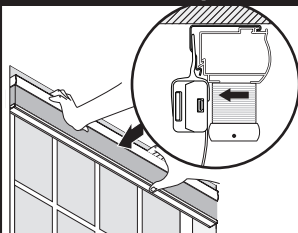
Attach bracket with Battery Case to shade.

Attach bracket with Battery Case to shade.

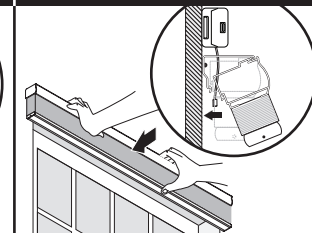
**10**

**Mount shade, Battery Case and connect power cable.**  
**Mount shade, Battery Case and connect power cable.**  
**Mount shade, Battery Case and connect power cable.**

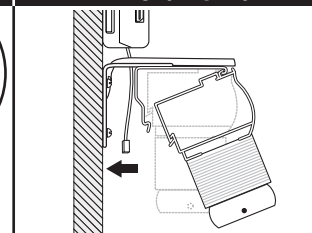
**Inside/ceiling mount**  
**Montaje de techo/interior**  
**Pose intérieure/au plafond**



**Outside mount**  
**Montaje exterior**  
**Pose extérieure**

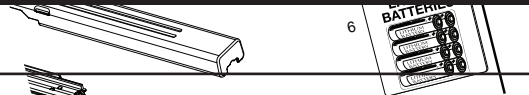


**Optional extension bracket**  
**Soporte de extensión opcional**  
**Rallonge (en option)**

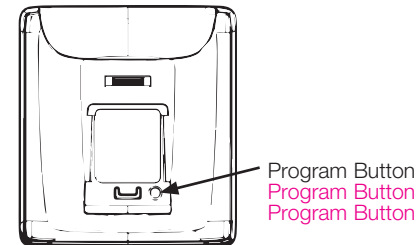
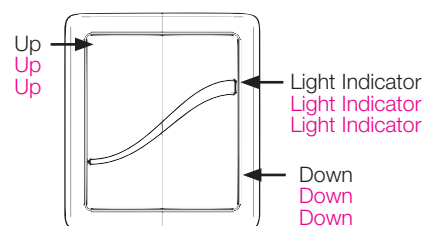


**Connect battery Cable**

**Conecte los alambres de la batería • Connecter les fils de la pile**



**Operating your shade, Vitruval Cord™**  
**Operando su persiana, Vitruval Cord™**  
**Fonctionnement du store, Vitruval Cord™**



NOTE: Pressing the opposite direction button while shade is moving will stop the shade movement.

NOTE: Pressing the opposite direction button while shade is moving will stop the shade movement.

NOTE: Pressing the opposite direction button while shade is moving will stop the shade movement.



**Adjusting the upper or lower limits of your shade, Vitruval Cord™**  
**Adjusting the upper or lower limits of your shade, Vitruval Cord™**  
**Adjusting the upper or lower limits of your shade, Vitruval Cord™**



If adjusting the upper or lower shade limits, follow these steps:

Bring the shade to the upper or lower limit by pressing Up or Down button.

Once at the limit, press and hold Up and Down buttons at the same time until shade jogs (a brief up and down movement).

The control and shade endcap will flash orange and then green, confirming that you are in programming mode.

Adjust the shade using the Up or Down button to your desired new limit.

Press and release the shade endcap, the shade will jog.

The new limit is saved to the shade and programming is complete. The shade endcap light no longer flashes.

If adjusting the upper or lower shade limits, follow these steps:

Bring the shade to the upper or lower limit by pressing Up or Down button.

Once at the limit, press and hold Up and Down buttons at the same time until shade jogs (a brief up and down movement).

The control and shade endcap will flash orange and then green, confirming that you are in programming mode.

Adjust the shade using the Up or Down button to your desired new limit.

Press and release the shade endcap, the shade will jog.

The new limit is saved to the shade and programming is complete. The shade endcap light no longer flashes.

If adjusting the upper or lower shade limits, follow these steps:

Bring the shade to the upper or lower limit by pressing Up or Down button.

Once at the limit, press and hold Up and Down buttons at the same time until shade jogs (a brief up and down movement).

The control and shade endcap will flash orange and then green, confirming that you are in programming mode.

Adjust the shade using the Up or Down button to your desired new limit.

Press and release the shade endcap, the shade will jog.

The new limit is saved to the shade and programming is complete. The shade endcap light no longer flashes.



**Adding a control, Virtual Cord™**  
**Adding a control, Virtual Cord™**  
**Adding a control, Virtual Cord™**

If the previous Virtual Cord™ is lost or damaged, follow these steps to add a new control.  
 Press and hold the shade end cap until the shade jogs (a brief up and down movement).  
 The control and shade endcap will flash green with solid red, confirming that you are ready to pair the control.  
 On the back of the Virtual Cord™ control, use a paperclip or similar item, press and release the programming button. The shade will jog.  
 Control is now saved to the shade.

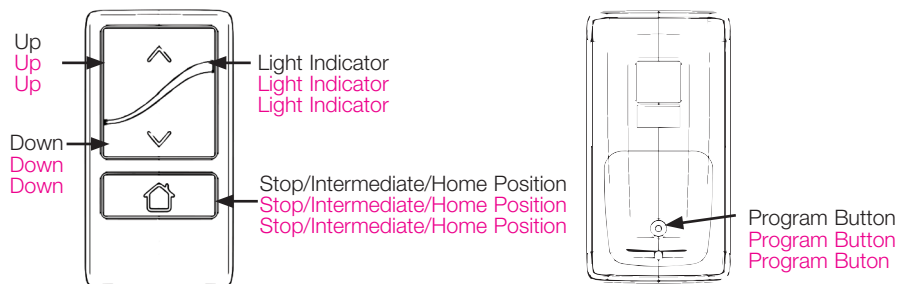
If the previous Virtual Cord™ is lost or damaged, follow these steps to add a new control.  
 Press and hold the shade end cap until the shade jogs (a brief up and down movement).  
 The control and shade endcap will flash green with solid red, confirming that you are ready to pair the control.  
 On the back of the Virtual Cord™ control, use a paperclip or similar item, press and release the programming button. The shade will jog.  
 Control is now saved to the shade.

If the previous Virtual Cord™ is lost or damaged, follow these steps to add a new control.  
 Press and hold the shade end cap until the shade jogs (a brief up and down movement).  
 The control and shade endcap will flash green with solid red, confirming that you are ready to pair the control.  
 On the back of the Virtual Cord™ control, use a paperclip or similar item, press and release the programming button. The shade will jog.  
 Control is now saved to the shade.

**For Optional Single Channel Remote**  
**For Optional Single Channel Remote • For Optional Single Channel Remote**



**Operating your shade, Single Channel Remote**  
**Operando su persiana, Single Channel Remote**  
**Fonctionnement du store, Single Channel Remote**



NOTE: Pressing the opposite direction button while shade is moving will stop the shade movement.  
 NOTE: Pressing the opposite direction button while shade is moving will stop the shade movement.  
 NOTE: Pressing the opposite direction button while shade is moving will stop the shade movement.



**Adjusting the Upper or Lower Limit of your shade, Single Channel Remote**  
**Adjusting the Upper or Lower Limit of your shade, Single Channel Remote**  
**Adjusting the Upper or Lower Limit of your shade, Single Channel Remote**

If adjusting the upper or lower shade limits, follow these steps:  
 Bring the shade to the upper or lower limit by pressing Up or Down button.  
 Once at the limit, press and hold Up and Down buttons at the same time until shade jogs. (A brief up and down movement.)  
 The control and shade endcap will flash orange and green, confirming that you are in programming mode.  
 Adjust the shade using the Up or Down button to your desired new limit.  
 Press and hold the Stop/Intermediate button on the control, until the shade jogs.  
 The new limit is saved to the shade and programming is complete. The shade endcap light no longer flashes.

If adjusting the upper or lower shade limits, follow these steps:  
 Bring the shade to the upper or lower limit by pressing Up or Down button.  
 Once at the limit, press and hold Up and Down buttons at the same time until shade jogs. (A brief up and down movement.)  
 The control and shade endcap will flash orange and green, confirming that you are in programming mode.  
 Adjust the shade using the Up or Down button to your desired new limit.  
 Press and hold the Stop/Intermediate button on the control, until the shade jogs.  
 The new limit is saved to the shade and programming is complete. The shade endcap light no longer flashes.

If adjusting the upper or lower shade limits, follow these steps:  
 Bring the shade to the upper or lower limit by pressing Up or Down button.  
 Once at the limit, press and hold Up and Down buttons at the same time until shade jogs. (A brief up and down movement.)  
 The control and shade endcap will flash orange and green, confirming that you are in programming mode.  
 Adjust the shade using the Up or Down button to your desired new limit.  
 Press and hold the Stop/Intermediate button on the control, until the shade jogs.  
 The new limit is saved to the shade and programming is complete. The shade endcap light no longer flashes.



**Setting an Intermediate (Home) Position, Single Channel Remote**  
**Setting an Intermediate (Home) Position, Single Channel Remote**  
**Setting an Intermediate (Home) Position, Single Channel Remote**

**Setting -**  
 Press Up or Down to operate shade with Single Channel Remote. Bring shade to desired position, press Stop/Intermediate to stop the shade. At desired position, press and hold the Stop/Intermediate button, the shade will jog. The position is saved to the shade, repeat to set a new home position.  
**Using -**  
 Send the shade to the intermediate position by pressing the Stop/Intermediate button from any shade position. Note: Shade should be stationary prior to pressing the Stop/Intermediate button, if the shade is actively moving, the Stop/Intermediate button would need to be pressed twice.

**Setting -**  
 Press Up or Down to operate shade with Single Channel Remote. Bring shade to desired position, press Stop/Intermediate to stop the shade. At desired position, press and hold the Stop/Intermediate button, the shade will jog. The position is saved to the shade, repeat to set a new home position.  
**Using -**  
 Send the shade to the intermediate position by pressing the Stop/Intermediate button from any shade position. Note: Shade should be stationary prior to pressing the Stop/Intermediate button, if the shade is actively moving, the Stop/Intermediate button would need to be pressed twice.

**Setting -**  
 Press Up or Down to operate shade with Single Channel Remote. Bring shade to desired position, press Stop/Intermediate to stop the shade. At desired position, press and hold the Stop/Intermediate button, the shade will jog. The position is saved to the shade, repeat to set a new home position.  
**Using -**  
 Send the shade to the intermediate position by pressing the Stop/Intermediate button from any shade position. Note: Shade should be stationary prior to pressing the Stop/Intermediate button, if the shade is actively moving, the Stop/Intermediate button would need to be pressed twice.



**Adding a Control, Single Control Remote**  
**Adding a Control, Single Control Remote**  
**Adding a Control, Single Control Remote**

If adding a new remote, follow these steps:  
 A. When the Virtual Cord™ is not present  
 Press and hold the shade endcap until the shade jogs. The shade endcap will flash green with, solid red. Confirming that you are ready to pair the control.  
 On the back of the Single Channel remote, use a paperclip or similar item, press and release the programming button. The shade will jog.  
 The control is now saved to the shade.  
 B. Using the Virtual Cord™ Control, Copy and Paste  
 On the back of the Virtual Cord™ Control, use a paperclip or similar item, press and hold the programming button until the shade jogs. The shade endcap will flash green, with solid red.  
 On the back of the Single Channel remote, use a paperclip or similar item, press and release the programming button. The shade will jog.  
 The control is now saved to the shade.

If adding a new remote, follow these steps:  
 A. When the Virtual Cord™ is not present  
 Press and hold the shade endcap until the shade jogs. The shade endcap will flash green with, solid red. Confirming that you are ready to pair the control.  
 On the back of the Single Channel remote, use a paperclip or similar item, press and release the programming button. The shade will jog.  
 The control is now saved to the shade.  
 B. Using the Virtual Cord™ Control, Copy and Paste  
 On the back of the Virtual Cord™ Control, use a paperclip or similar item, press and hold the programming button until the shade jogs. The shade endcap will flash green, with solid red.  
 On the back of the Single Channel remote, use a paperclip or similar item, press and release the programming button. The shade will jog.  
 The control is now saved to the shade.

If adding a new remote, follow these steps:  
 A. When the Virtual Cord™ is not present  
 Press and hold the shade endcap until the shade jogs. The shade endcap will flash green with, solid red. Confirming that you are ready to pair the control.  
 On the back of the Single Channel remote, use a paperclip or similar item, press and release the programming button. The shade will jog.  
 The control is now saved to the shade.  
 B. Using the Virtual Cord™ Control, Copy and Paste  
 On the back of the Virtual Cord™ Control, use a paperclip or similar item, press and hold the programming button until the shade jogs. The shade endcap will flash green, with solid red.  
 On the back of the Single Channel remote, use a paperclip or similar item, press and release the programming button. The shade will jog.  
 The control is now saved to the shade.



**Deleting a Control, Single Channel Remote**  
**Deleting a Control, Single Channel Remote**  
**Deleting a Control, Single Channel Remote**

If you need to remove a control from a shade, follow these steps:

Press and hold the shade endcap until the shade jogs (a brief up and down movement). The shade endcap will flash green and solid red, confirming that you are ready to unpair the control.

On the back of the Single Channel remote, use the paperclip or similar item, press and release the programming button. The shade will jog.

The single channel remote is deleted, and will not operate the shade.

If you need to remove a control from a shade, follow these steps:

Press and hold the shade endcap until the shade jogs (a brief up and down movement). The shade endcap will flash green and solid red, confirming that you are ready to unpair the control.

On the back of the Single Channel remote, use the paperclip or similar item, press and release the programming button. The shade will jog.

The single channel remote is deleted, and will not operate the shade.

If you need to remove a control from a shade, follow these steps:

Press and hold the shade endcap until the shade jogs (a brief up and down movement). The shade endcap will flash green and solid red, confirming that you are ready to unpair the control.

On the back of the Single Channel remote, use the paperclip or similar item, press and release the programming button. The shade will jog.

The single channel remote is deleted, and will not operate the shade.




**Changing Motor Direction**  
**Changing Motor Direction**  
**Changing Motor Direction**

If shade raises when the down button is pressed, or if shade lowers when the up button is pressed, the motor direction needs to be modified. Follow these steps to reverse direction:

Bring shade to the approximate half way point (shade should be moved away from upper and lower limit).

Using the control, press and hold the Up and Down buttons at the same time until the shade jogs.

If using the Virtual Cord™, press and release the shade end cap. The shade will jog.

If using the Single Channel Remote, press and hold the  button until the shade jogs.

Motor direction is reversed, Press Up or Down button to confirm correct direction.

If shade raises when the down button is pressed, or if shade lowers when the up button is pressed, the motor direction needs to be modified. Follow these steps to reverse direction:

Bring shade to the approximate half way point (shade should be moved away from upper and lower limit).

Using the control, press and hold the Up and Down buttons at the same time until the shade jogs.

If using the Virtual Cord™, press and release the shade end cap. The shade will jog.

If using the Single Channel Remote, press and hold the  button until the shade jogs.

Motor direction is reversed, Press Up or Down button to confirm correct direction.

If shade raises when the down button is pressed, or if shade lowers when the up button is pressed, the motor direction needs to be modified. Follow these steps to reverse direction:

Bring shade to the approximate half way point (shade should be moved away from upper and lower limit).

Using the control, press and hold the Up and Down buttons at the same time until the shade jogs.

If using the Virtual Cord™, press and release the shade end cap. The shade will jog.

If using the Single Channel Remote, press and hold the  button until the shade jogs.

Motor direction is reversed, Press Up or Down button to confirm correct direction.

**FCC STATEMENTS**

This portable transmitter with its antenna complies with FCC/IC RF exposure limits for general population / uncontrolled exposure.

**Compliance Statement (Part 15.19)**

This device complies with Part 15 of the FCC Rules. Operation is subject to the following two conditions:

1. This device may not cause harmful interference, and
2. This device must accept any interference received, including interference that may cause undesired operation.

**Warning (Part 15.21)**

Changes or modifications not expressly approved by the party responsible for compliance could void the user's authority to operate the equipment.

**FCC Interference Statement (Part 15.105 (b))**

This equipment has been tested and found to comply with the limits for a Class B digital device, pursuant to Part 15 of the FCC Rules. These limits are designed to provide reasonable protection against harmful interference in a residential installation. This equipment generates uses and can radiate radio frequency energy and, if not installed and used in accordance with the instructions, may cause harmful interference to radio communications. However, there is no guarantee that interference will not occur in a particular installation. If this equipment does cause harmful interference to radio or television reception, which can be determined by turning the equipment off and on, the user is encouraged to try to correct the interference by one of the following measures:

- Reorient or relocate the receiving antenna.
- Increase the separation between the equipment and receiver.
- Connect the equipment into an outlet on a circuit different from that to which the receiver is connected.
- Consult the dealer or an experienced radio/TV technician for help.

**FCC STATEMENTS**

This portable transmitter with its antenna complies with FCC/IC RF exposure limits for general population / uncontrolled exposure.

**Compliance Statement (Part 15.19)**

This device complies with Part 15 of the FCC Rules. Operation is subject to the following two conditions:

1. This device may not cause harmful interference, and
2. This device must accept any interference received, including interference that may cause undesired operation.

**Warning (Part 15.21)**

Changes or modifications not expressly approved by the party responsible for compliance could void the user's authority to operate the equipment.

**FCC Interference Statement (Part 15.105 (b))**

This equipment has been tested and found to comply with the limits for a Class B digital device, pursuant to Part 15 of the FCC Rules. These limits are designed to provide reasonable protection against harmful interference in a residential installation. This equipment generates uses and can radiate radio frequency energy and, if not installed and used in accordance with the instructions, may cause harmful interference to radio communications. However, there is no guarantee that interference will not occur in a particular installation. If this equipment does cause harmful interference to radio or television reception, which can be determined by turning the equipment off and on, the user is encouraged to try to correct the interference by one of the following measures:

- Reorient or relocate the receiving antenna.
- Increase the separation between the equipment and receiver.
- Connect the equipment into an outlet on a circuit different from that to which the receiver is connected.
- Consult the dealer or an experienced radio/TV technician for help.

**INDUSTRY CANADA STATEMENTS**

**Section 7.1.3 of RSS-GEN**

This Device complies with Industry Canada License-exempt RSS standard(s). Operation is subject to the following two conditions: 1) this device may not cause interference, and 2) this device must accept any interference, including interference that may cause undesired operation of the device.

**Section 7.1.2 of RSS-GEN**

Under Industry Canada regulations, this radio transmitter may only operate using an antenna of a type and maximum (or lesser) gain approved for the transmitter by Industry Canada. To reduce potential radio interference to other users, the antenna type and its gain should be so chosen that the equivalent isotropically radiated power (e.i.r.p.) is not more than that necessary for successful communication.

**DÉCLARATIONS D'INDUSTRIE CANADA**

**Section 7.1.3 DE RSS-GEN**

Cet appareil se conforme à la (aux) norme(s) RSS exempte(s) de licence d'Industrie Canada. Son fonctionnement est soumis aux deux conditions suivantes : 1) cet appareil ne doit pas causer de l'interférence, et 2) cet appareil doit accepter toute interférence, y compris l'interférence qui peut causer un fonctionnement indésirable de l'appareil.

**Section 7.1.2 DE RSS-GEN**

En vertu des règlements d'Industrie Canada, cet émetteur radio ne peut fonctionner qu'en utilisant une antenne d'un type et d'une amplification maximale (ou inférieure) approuvés pour l'émetteur par Industrie Canada. Pour réduire l'interférence radio potentielle aux autres utilisateurs, le type d'antenne et son amplification doivent être choisis de manière à ce que la puissance isotrope rayonnée équivalente (pire) ne soit pas supérieure à ce qui est nécessaire pour une communication réussie.

Customers located in the USA and Canada contact our Customer Service Center at 1-800-221-6352  
 Springs Window Fashions LLC  
 P.O. Box 500, 8467 Route 405 South  
 Montgomery, PA 177521

Importador en México:  
 Springs Window Fashions Sales Company de México, S. de R.L. de C.V.  
 Carretera Federal Reynosa a Matamoros Sin Número Edif 10A  
 Prologis Park, Ciudad Reynosa, Tamaulipas CP 88780  
 TEL. (899) 954-0361

Cientes de México: llamar al 01-800-909-0793 para obtener instrucciones sobre el lugar al que deben enviar el producto para su reparación.