

BV Somfy Zigbee RCU Ysia VAR 5C/1C antenna matching

By Jingdong Bi
Universal Electronic Inc.



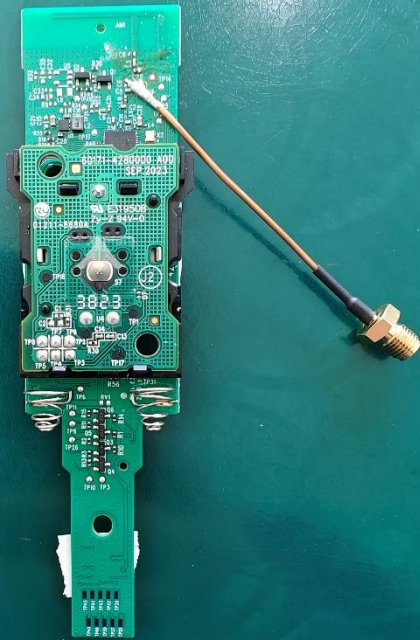
REDEFINING **CONTROL**

PCBA and case

REDEFINING CONTROL

5C case

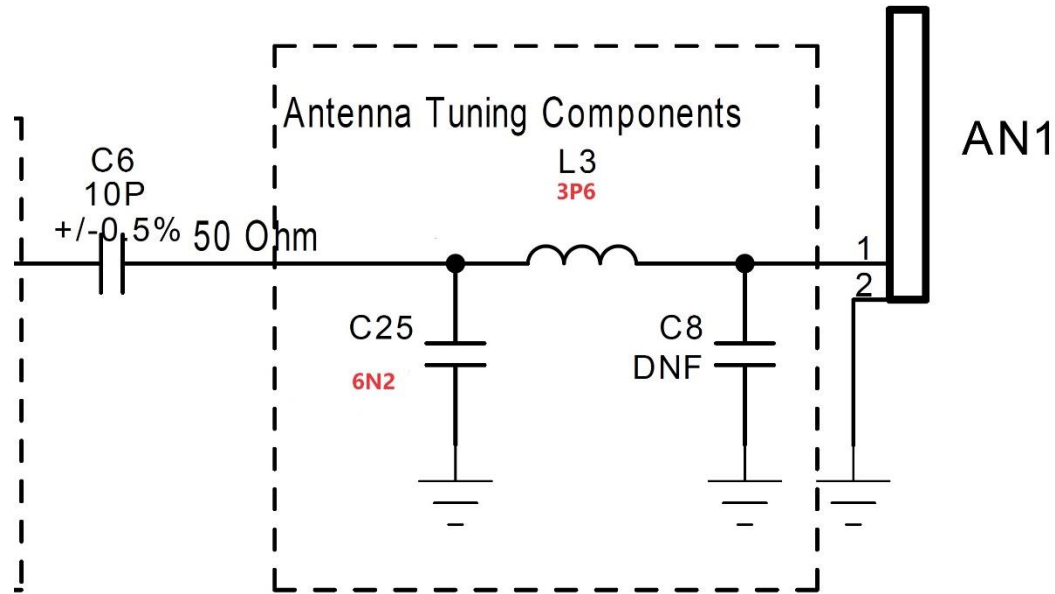
1C case



PCBA

PCBA with case

Antenna matching circuits



Reference Manual, +20dBm, 2.4GHz

C8: DNF

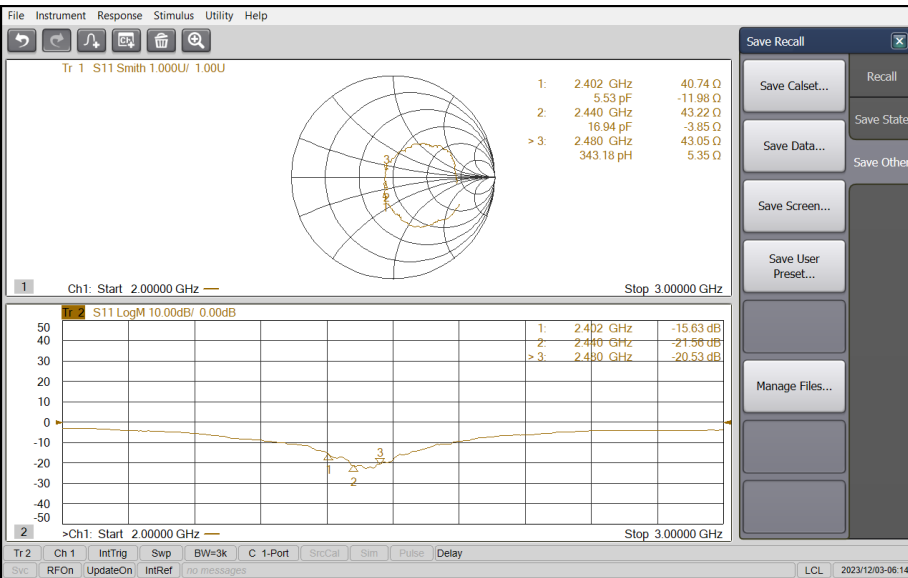
L3: ceramic cap 0402 , $3.6\text{PF} \pm 0.1\text{PF}$, 50V,NPO

C25: inductor 0402 , $6.2\text{nH} \pm 0.1\text{nH}$,600mA, LQG15HS6N2B02

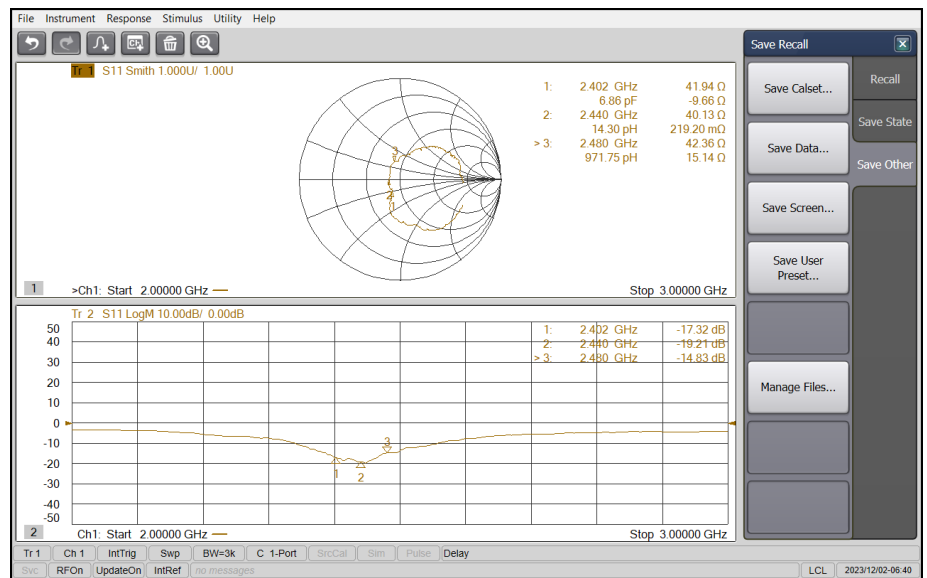
S parameters

REDEFINING CONTROL

5C case



PCBA1 with case

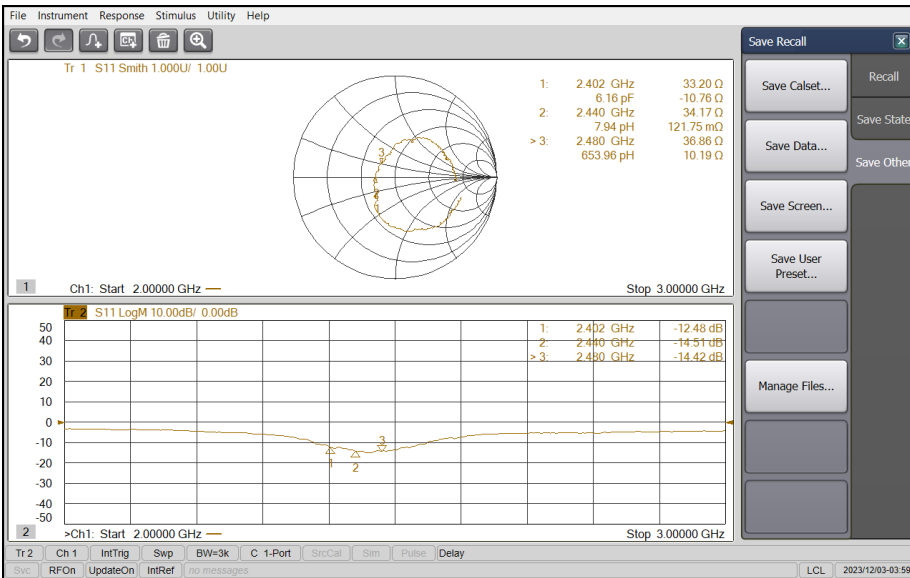


PCBA2 with case

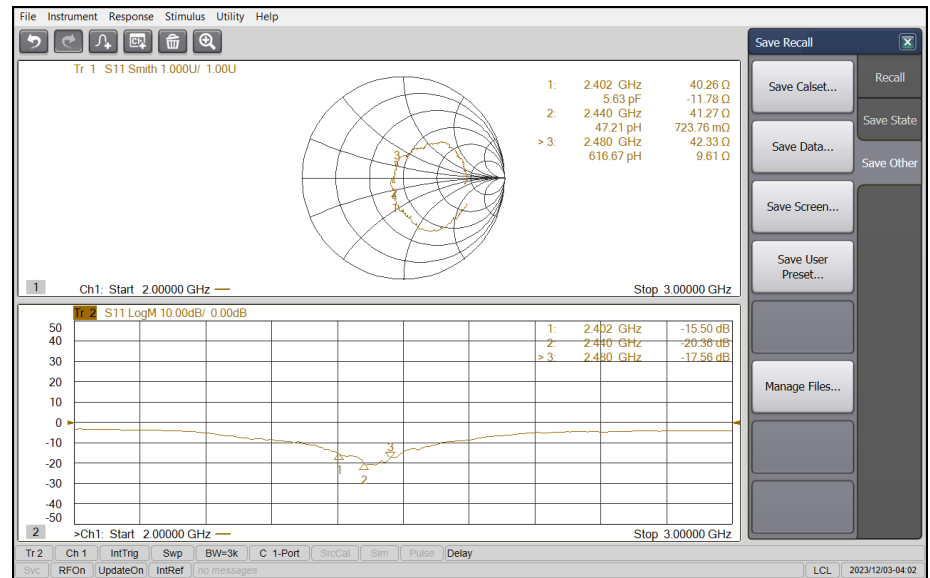
S parameters

REDEFINING CONTROL

1C case



PCBA1 with case



PCBA2 with case