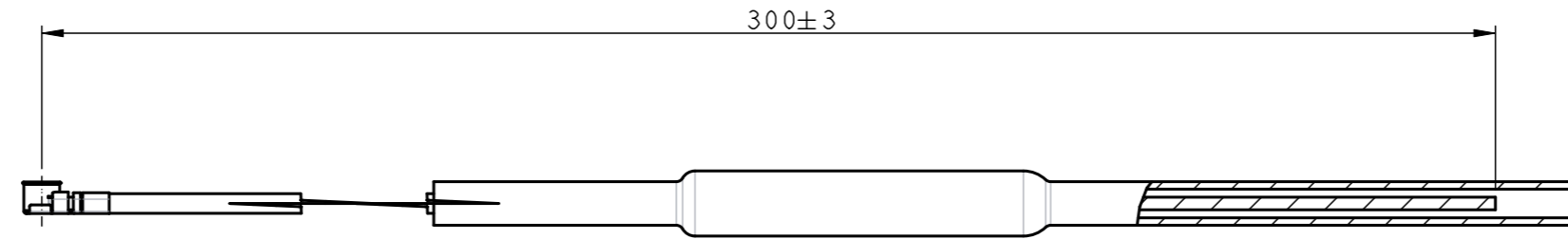
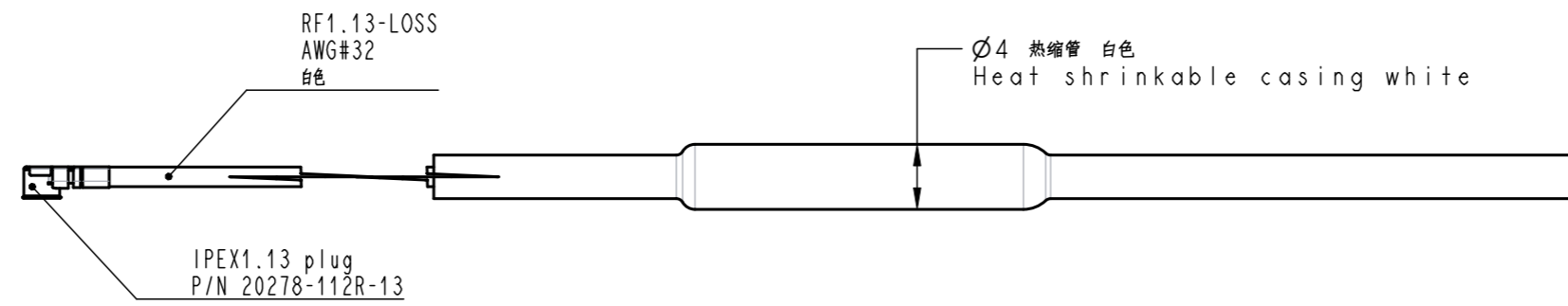
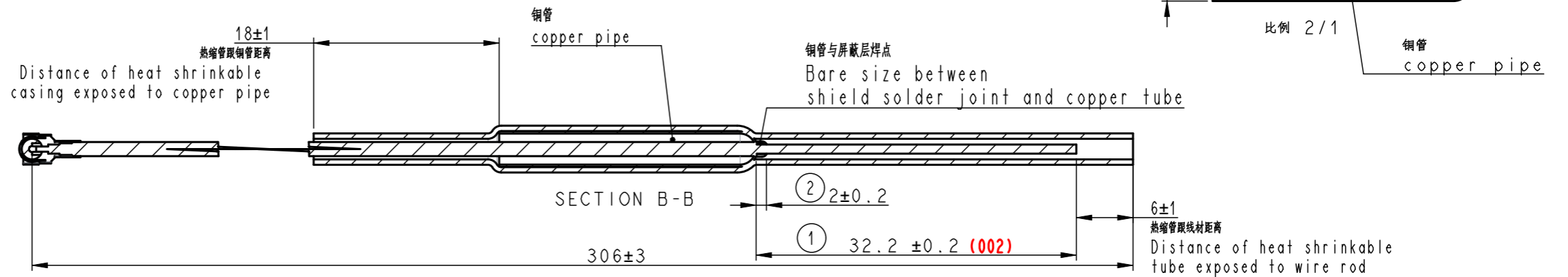


This drawing shall not be used, reproduced or passed on in any way, in full or in part, without SOMFY written approval. All rights reserved



SCALE 2/1



标识 热缩管 黑色 热缩后不滑动 外径<1.6
mark point-Heat shrinkable casing



SCALE 1/1

- 技术要求:
1. 未注公差均按右下表;
 2. 频率范围: 2400 MHz-2483 MHz, 增益: [+1, +2]dBi
驻波比: [1, 2], 输入阻抗: 50 Ohms nominal
 3. 产品必须符合RoHS和REACH要求;
 4. 图中标有编号的是关键尺寸, 总: 3个;

- NOTES:
1. ALL UNSPECIFIED LINEAR TOLERANCES, PLEASE REFER TO RIGHT TABLE;
 2. FREQUENCY: 2400 MHz-2483 MHz, GAIN: [+1, +2]dBi
VSWR: [1, 2], INPUT IMPEDANCE: 50 Ohms nominal
 3. PARTS MUST COMPLY WITH ROHS AND REACH;
 4. THE DIMENSION WITH "NUMBER" IS CRITICAL, TOTAL: 3;

REV	MODIFICATION DESCRIPTION	DATE	NAME
002	CHANGED LENGTH FROM 31.4 TO 32.2	28/12/2022	A.S
001	ADD WELDING POINT DIMENSION	9/11/2022	A.S
001	MODIFY LENGTH OF THE HEAT SHRINKABLE TUBE	28/10/2022	A.S
000	CREATION	15/12/2021	A.S

MATERIAL:

ARTICLE: 天线 SONESSE30 24V ZB
Antenna Sonesse 30 24V ZB

MISH : -

GENERAL AND GEOMETRIC TOLERANCES IN ACCORDANCE WITH ISO 8015 ; ISO 1101 ;

Modified By:
SHEN Aaron (shenaa01)

Scale: 1/5 | GE0177650
N° 5075674 A | 002