

SYSTEM SCHEMATICS

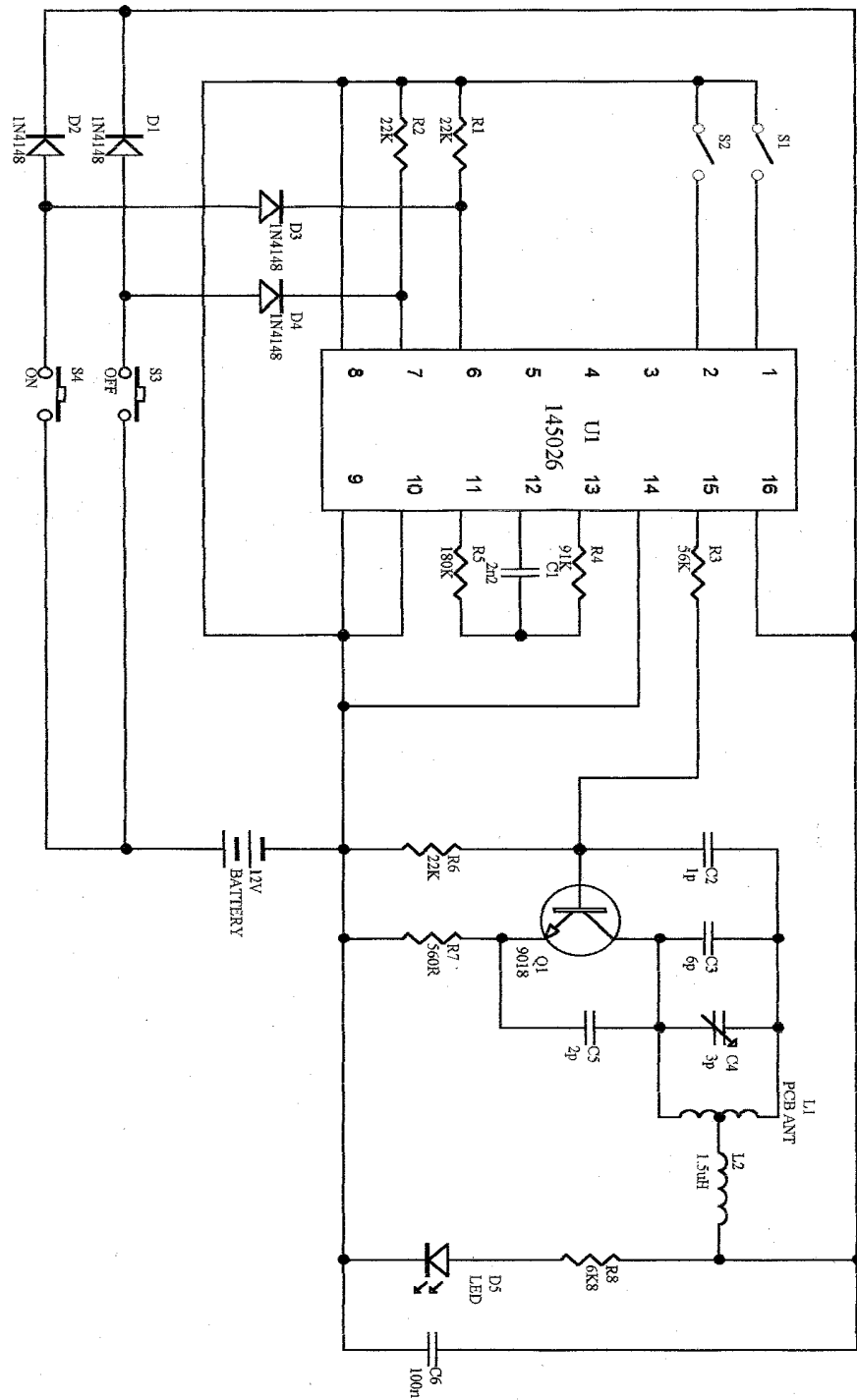


Figure 4.1 System Schematics