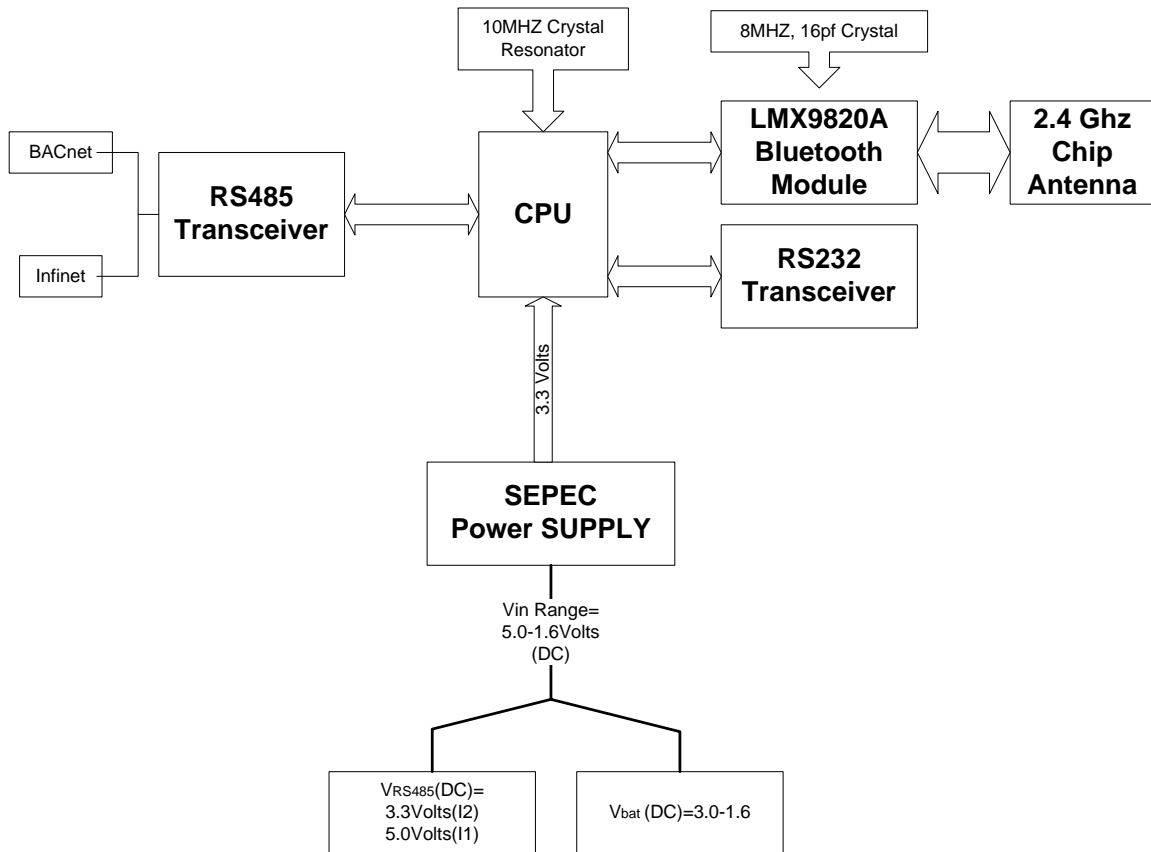


ROAMIO2 Functional Description



Product Description

The overall purpose of this project is to develop a BACnet/Infinet Service Tool that is designed to function with the BACnet/Infinet protocol. The intent of this application is to allow the Tour Andover Controls team and dealers to be more efficient in viewing the state of the I/O, modifying it or adding comments.

This product is to communicate with a Laptop, PC or a handheld PDA device via the RS232/Bluetooth interface. The RS485 port is to be connected to the TAC service port available on the, I1, I2 and the BACnet products.