

## 4 Label and compliance information

As the dimensions of the TR Module are small and thus it is not practical to place the label on the product, as it would not be readable, TR Module is not labelled with its FCC ID nor IC ID. Please also note, that TR Module is not used or sold separately, TR Module is part of the selected commercial end-products.

Instead, the FCC ID and IC ID are placed on the label(s) of the end-product(s) (also referred to and known as “host products”). The label is placed on a prominent location on the end-product(s). The product code part, both in the FCC ID and IC ID, refers to the radio module: “XXX-EBIOTPCWM”. The FCC and IC IDs are also provided in this document, in the chapter 1.2 Certification information. This user manual is provided for the manufacturer(s) of the end-product(s) using the TR Module.

Also, the labelling instructions, how the end-product containing the module must be labelled, are provided in this document in the following chapter 4.1.

### 4.1 Labelling instructions

The host product shall always be labelled with the FCC ID and the IC ID of the radio module, regardless of whether the module is visible in the host product or not, because due to the small size of the TR Module, the IDs cannot be shown on the module itself.

Below examples are shown how the information should be presented in the labelling of the end-product(s) and also how to place the label(s) to prominent location(s) on the end-product(s). Please note that the label example pictures in this document are not presenting the real size of the labels nor the end-products.

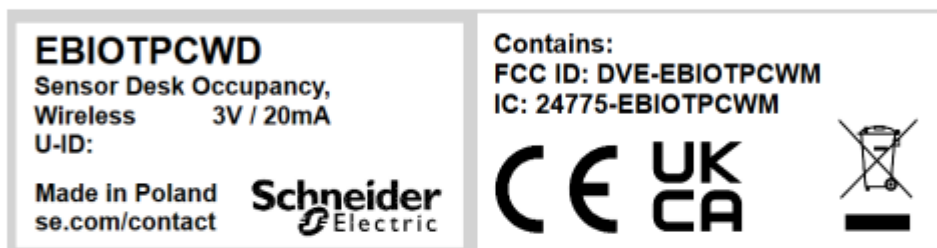


Figure 1. Label examples (Label 1 left, Label 2 right) of the end-product EBIOTPCWD.



Figure 2. Label example of the end-product EBIOTPCWE1.

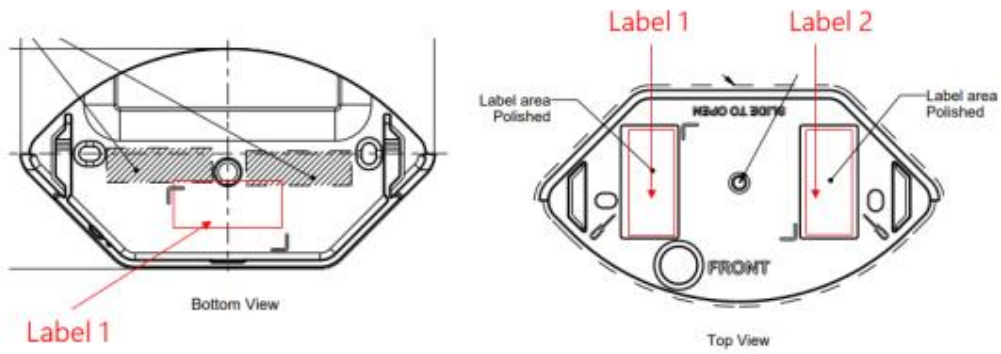


Figure 3. Label placement example of the end-product EBIOTPCWD.

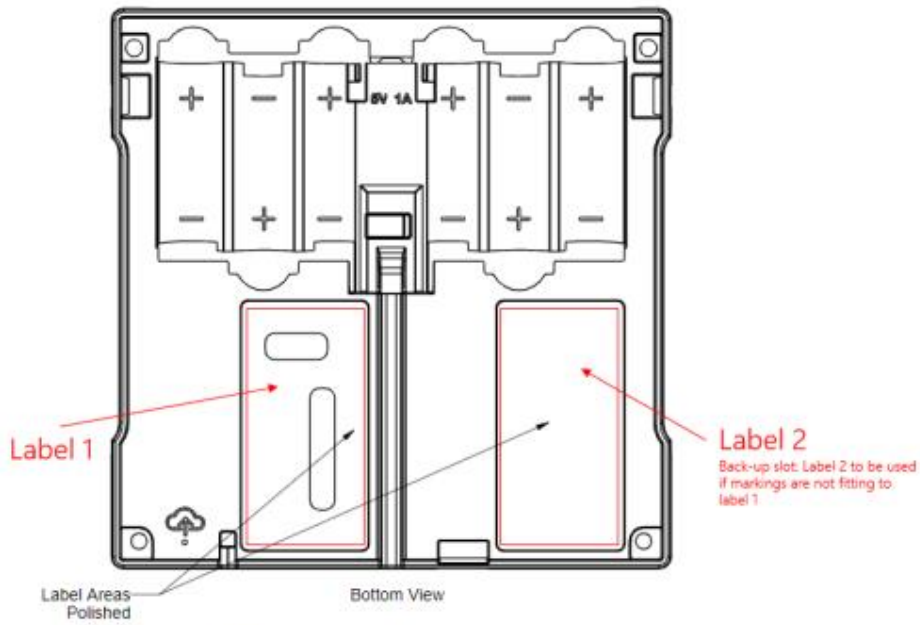


Figure 4. Label placement example of the end-product EBIOTPCWE1.