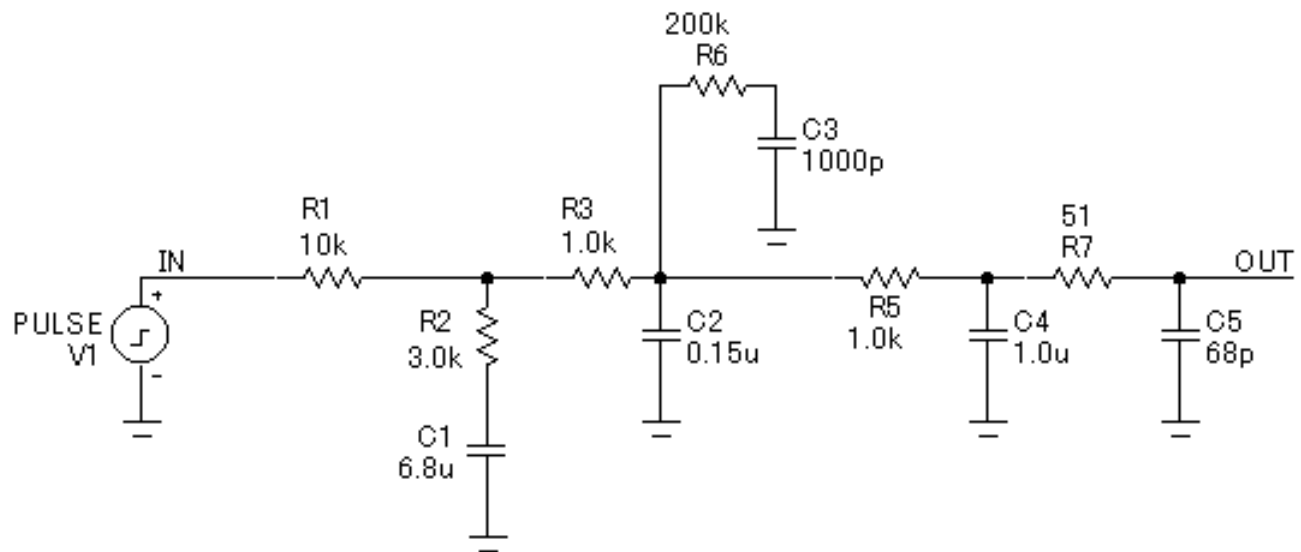


# HLX-501 PLL Lowpass Filter



PLL\_LPF.CIR Temperature= 27

