

Figure 1: Omni Block Diagram

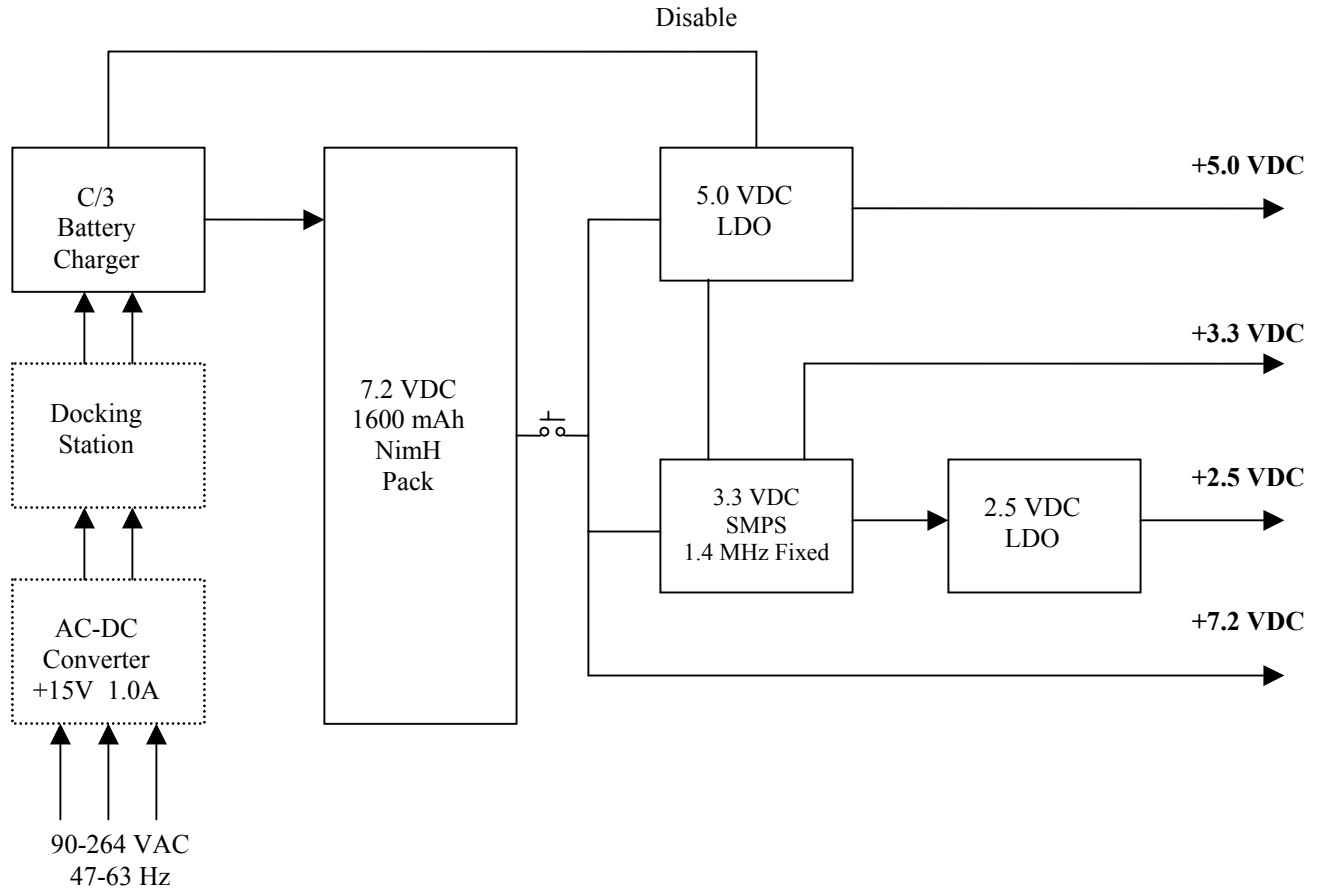


Figure 2: Omni Power Management